



# PF93084 Pre-Assembled Simplex Sewage Pump Kit

## Pump Features

- Stainless steel motor housing, cast iron pump body and thermoplastic built-in handle
- SJE Rhombus vertical float switch
- 2" NPT Discharge
- Handles up to 2" solids
- Non-clogging stainless steel vortex impeller
- Carrying handle attached
- 15' power supply cord
- Built-in thermal overload protection for safety
- Permanent split capacitor continuous duty motor
- 12 amps, 1440 Watts
- 3450 RPM

## Basin Features

- Tough polyethylene construction
- Corrosion resistant
- Gasket sealed liquid and airtight cover with 8 bolts
- 2" Discharge & vent
- 24" x 24" (61 cm x 61 cm) - 45 gallon (151.4 L) capacity
- Built-In anti float collar prevents basin from floating
- Molded torque stops prevent pump from turning
- Pre-plumbed with 2" PVC pipe
- Integrated 360° lifting handle
- 4" Inlet
- 2 Piece cover allows access to the pump without removing piping
- 45 Gallon total capacity
- 22 Gallon working capacity

## Motor Performance

- 1/2HP 120 Volt AC (12 amps)

Performance Chart							
Lift	0'	5'	10'	15'	20'	25'	30'
GPM	140	123	97	72	49	25	3
GPH	8400	7380	5820	4320	2940	1500	180

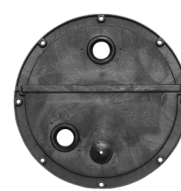
## Warranty and Codes

This product comes complete with installation, operating, care and maintenance instructions. This PROFLO simplex sewage pump kit carries a 3 year warranty when installed in residential applications. See owners manual for warranty details.

This PROFLO simplex sewage pump kit carries a 3 year limited warranty. In an effort to continually improve our products, we will make design changes from time to time. We reserve the right to ship newly designed product to fill any order unless it is agreed in writing to do otherwise.



PF93084

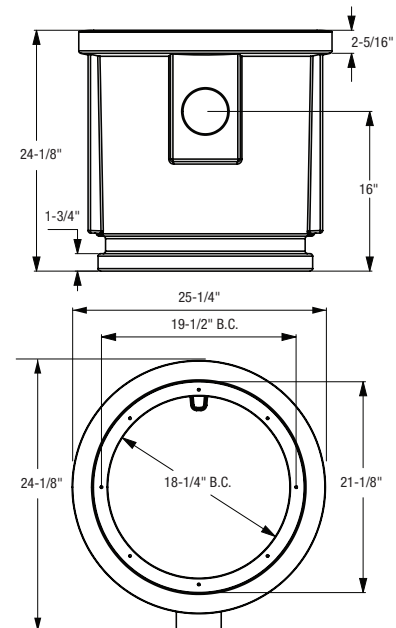


2 Piece Basin Cover



Built-in Torque Stops

## Product Specifications



\* All measurements are nominal. Please verify before actual installation.