

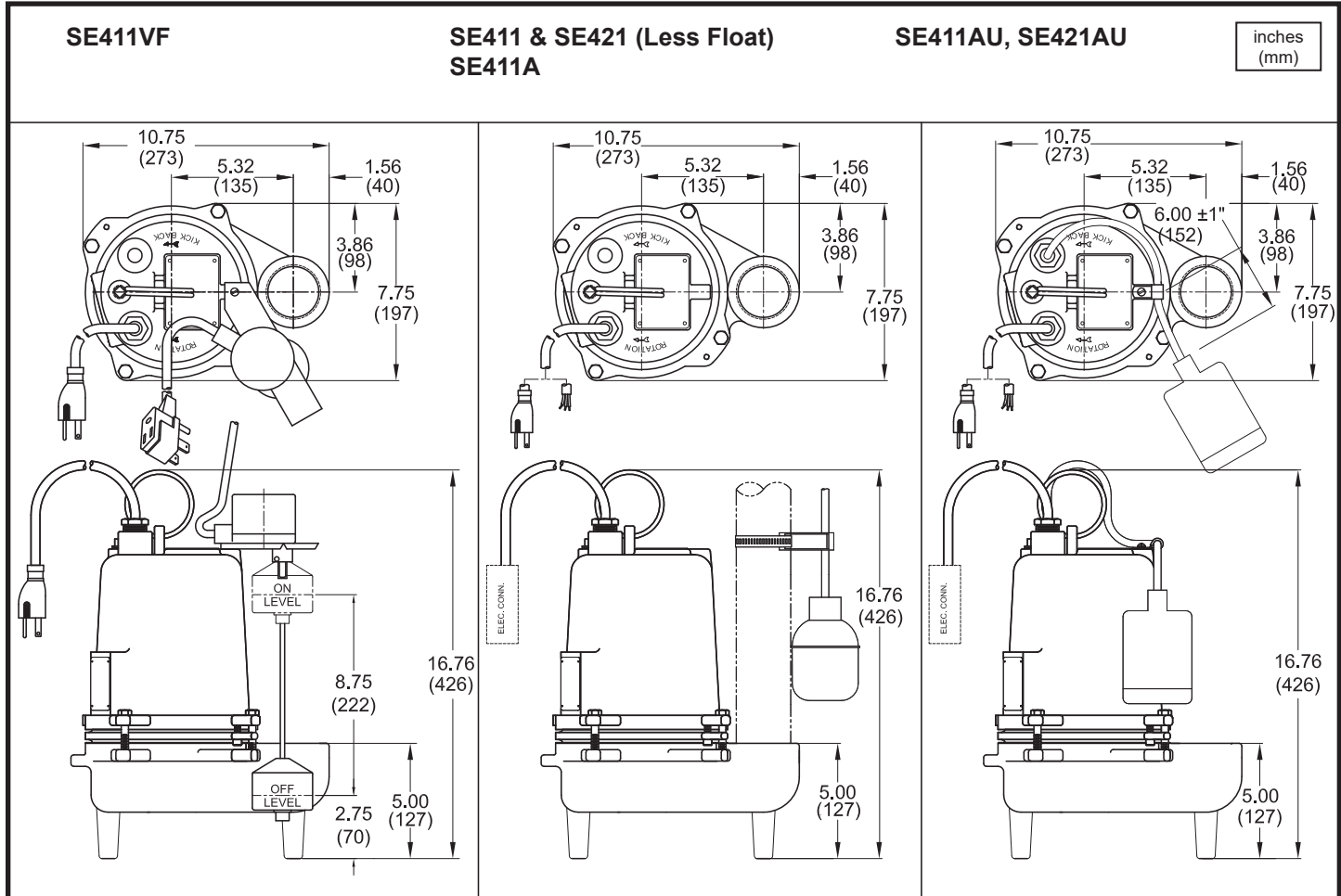
# Series SE

2" Spherical Solids Handling  
Manual & Automatic

# BARNES®

www.cranepumps.com

## Submersible Effluent Pumps



MODEL NO	PART NO	HP	VOLT	PH/Hz	RPM (Nom)	NEMA START CODE	FULL LOAD AMPS	LOCKED ROTOR AMPS	CORD SIZE	CORD TYPE	CORD O.D inch (mm)
SE411	096747	0.4	115	1 / 60	1750	C	12.0	19.0	14/3	SJTOW	0.375 (9.5)
SE411A	096748	0.4	115	1 / 60	1750	C	12.0	19.0	14/3	SJTOW	0.375 (9.5)
SE411AU	096749	0.4	115	1 / 60	1750	C	12.0	19.0	14/3	SJTOW	0.375 (9.5)
SE411VF	100836	0.4	115	1 / 60	1750	C	12.0	19.0	14/3	SJTOW	0.375 (9.5)
SE421	096750	0.4	230	1 / 60	1750	C	6.2	13.0	14/3	SJTOW	0.375 (9.5)
SE421AU	096751	0.4	230	1 / 60	1750	C	6.2	13.0	14/3	SJTOW	0.375 (9.5)

Mechanical Switch on SE-A, cord 16/2, SJOW, Piggy-Back Plug  
 Mechanical Switch on SE-AU, cord 14/2, SJOW, 0.370 (9.4mm) O.D.  
 Vertical Switch on SE-VF, cord 16/2, SJOW, 0.320 (8.1mm) O.D. Piggy-Back Plug

### IMPORTANT !

- 1.) PUMP MAY BE OPERATED "DRY" FOR EXTENDED PERIODS WITHOUT DAMAGE TO MOTOR AND/OR SEALS.
- 2.) INSTALLATIONS SUCH AS DECORATIVE FOUNTAINS OR WATER FEATURES PROVIDED FOR VISUAL ENJOYMENT MUST BE INSTALLED IN ACCORDANCE WITH THE NATIONAL ELECTRIC CODE ANSI/NFPA 70 AND/OR THE AUTHORITY HAVING JURISDICTION. THIS PUMP IS NOT INTENDED FOR USE IN SWIMMING POOLS, RECREATIONAL WATER PARKS, OR INSTALLATIONS IN WHICH HUMAN CONTACT WITH PUMPED MEDIA IS A COMMON OCCURRENCE.

SECTION 3A  
PAGE 36  
DATE 5/19

**CRANE**  
A Crane Co. Company

PUMPS & SYSTEMS

USA: (937) 778-8947 • Canada: (905) 457-6223 • International: (937) 615-3598