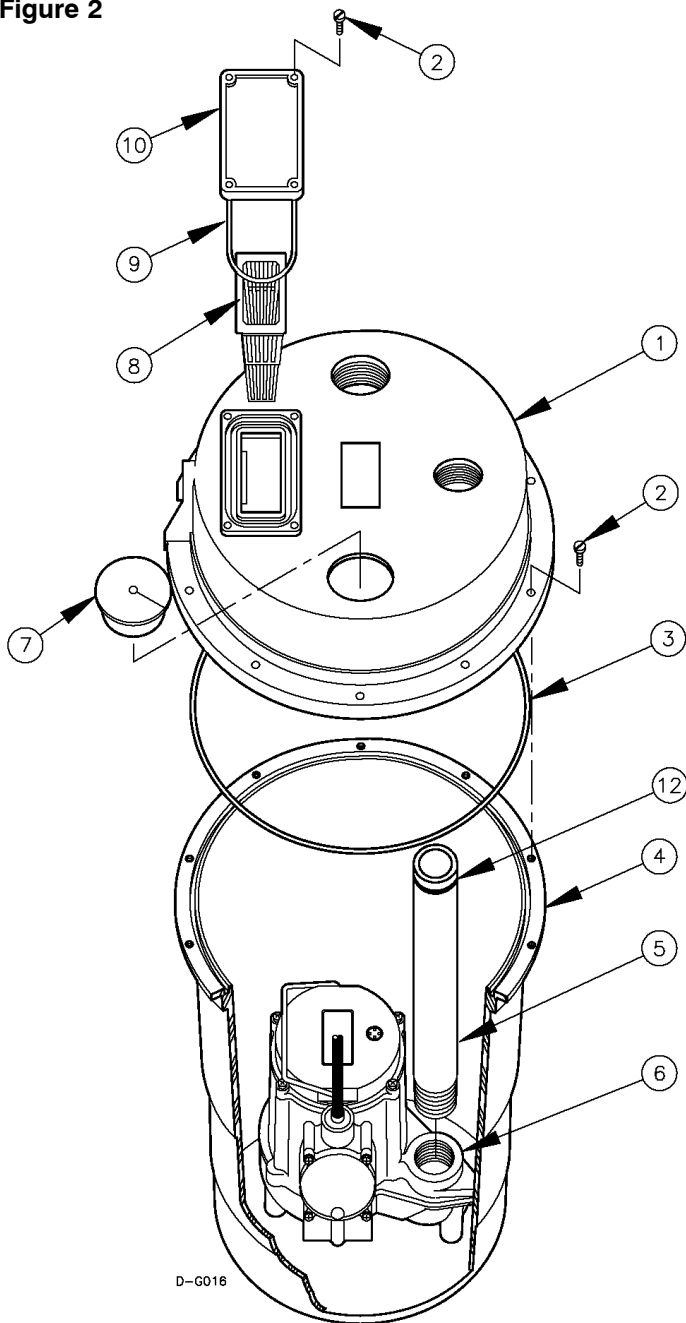
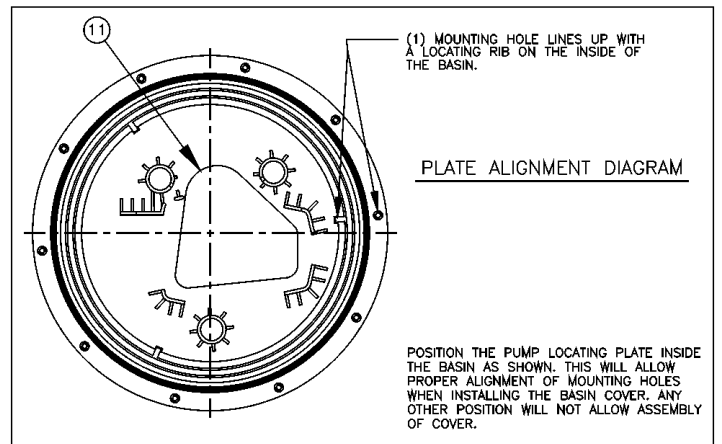


Figure 2



REPLACEMENT PARTS			
ITEM	PART NO.	DESCRIPTION	QUANTITY
1	113130	Basin cover	1
2	901709	Screw, 1/4-20 x 1/2	14
3	924065	O-ring	1
4	113129	Basin	1
5	113022	Discharge pipe	1
6	506158	Pump, 6-CIA, 115V	1
7	925016	Cord grommet	1
8	113131	Intake screen	1
9	924066	O-Ring, Buna-N, 2-339	1
10	113132	Cover plate, screen	1
11	113135	Alignment plate	1
12	924047	O-Ring, Buna-N, 2-131	1

Figure 3



SPECIFICATIONS

MODEL NO.	VOLTS	HERTZ	AMPS	WATTS	GALLONS PER HOUR (GPH) AT HEIGHT			SHUTOFF (FT.)	MAX. PSI
					5'	10'	15'		
WRS-6	115	60	9	720	2750	1750	750	18	7.8

FOR TROUBLESHOOTING INFORMATION, SEE PUMP OWNERS MANUAL INCLUDED WITH WRS-6 BASIN KIT.

ONE YEAR LIMITED WARRANTY

For one year from date of purchase, Little Giant will repair this unit if defective in material or workmanship. Warranty service is available by returning the unit pre-paid to the factory. For further details, please consult the warranty statement on carton. This warranty gives you specific legal rights and you may also have other rights which vary from state to state.