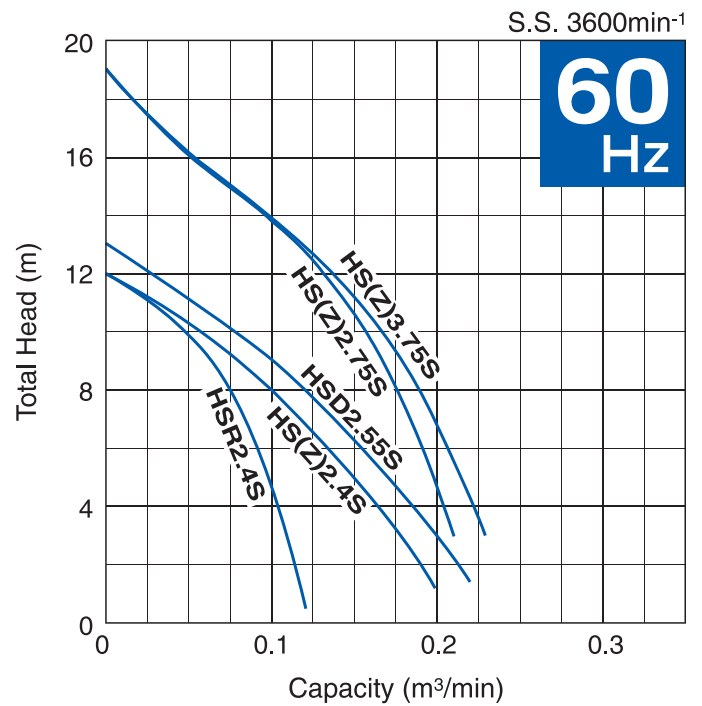
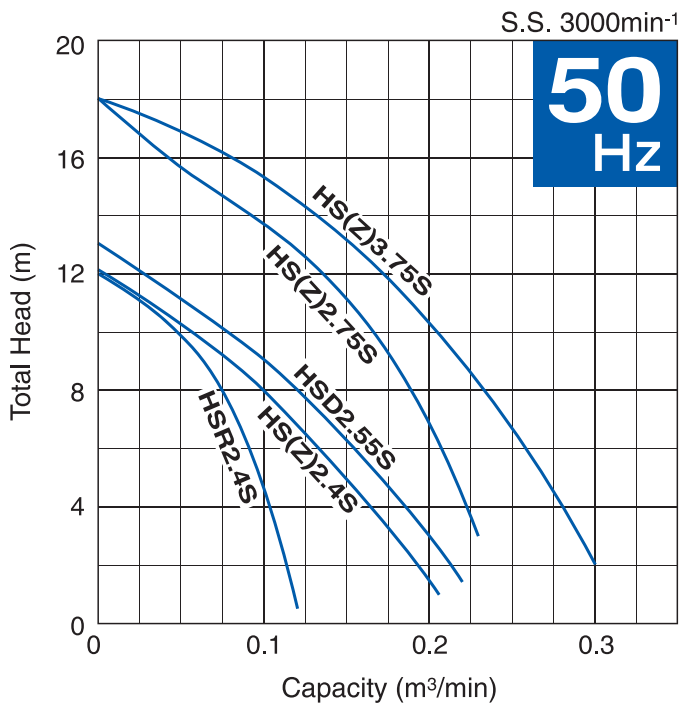
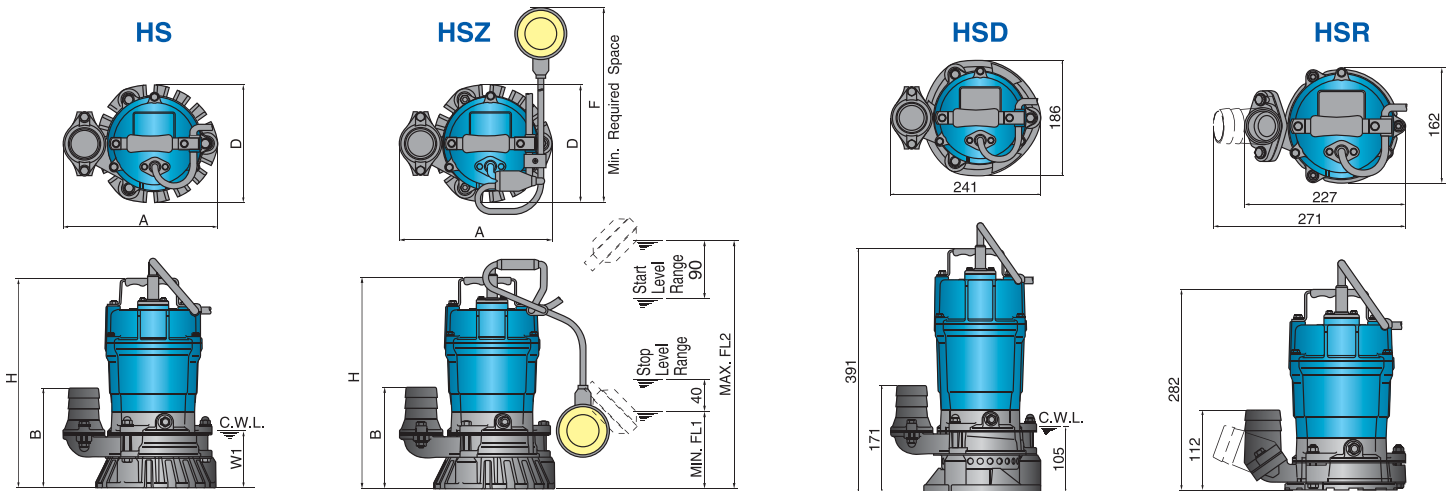


Performance Curves

Standard and Automatic Models have the identical performance.



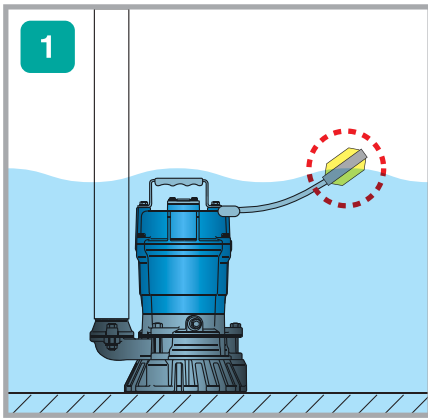
Dimensions



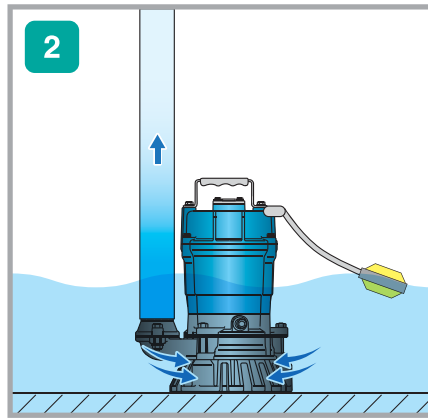
Unit: mm

Model	A	B	D	H	F	FL1	FL2
HS2.4S	241	158	184	328	-	-	-
HS2.75S/HS3.75S	285	218	184	394	-	-	-
HSZ2.4S	241	158	184	328	340	120	385
HSZ2.75S/HSZ3.75S	285	218	184	394	370	150	475

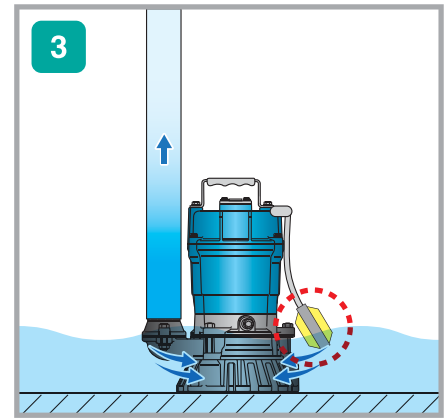
Automatic Operation (HSZ)



1 Pump starts operating when the water level rises to a preset level.



2 Pump keeps running while the float switch remains on.



3 When the water level lowers to the preset level, pump stops operating.

The process is repeated.

Model		Discharge Bore mm	Motor Output kW	Phase	Starting Method	Solids Passage mm	Dry Weight kg	Cable Length m
HS	HS2.4S	50	0.4	Single	Cpacitor Run	7	11.3	5
	HS2.75S	50	0.75		Cpacitor Run	7	16.4	5
	HS3.75S	80	0.75		Cpacitor Run	7	16.8	5
HSZ -Automatic-	HSZ2.4S	50	0.4		Cpacitor Run	7	11.3	5
	HSZ2.75S	50	0.75		Cpacitor Run	7	16.4	5
	HSZ3.75S	80	0.75		Cpacitor Run	7	16.8	5
HSD -Slurry-	HSD2.55S	50	0.55		Cpacitor Run	9	14	5
HSR -Residue-	HSR2.4S	50	0.4		Cpacitor Run	3	10.8	5

- Male threaded coupling for pipe connection available on special request
- Weights excluding cable