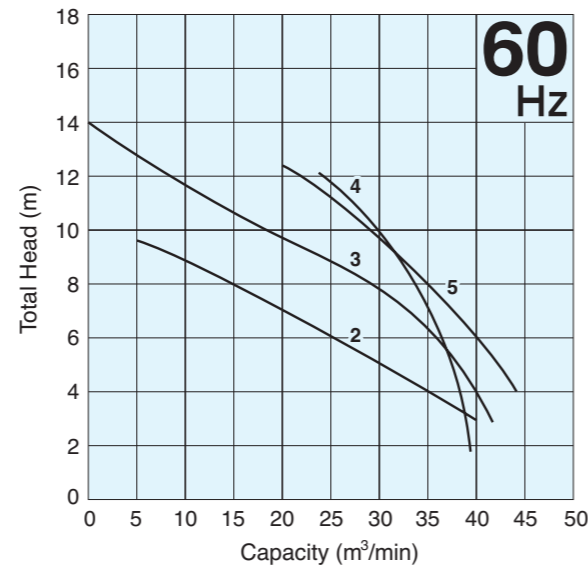
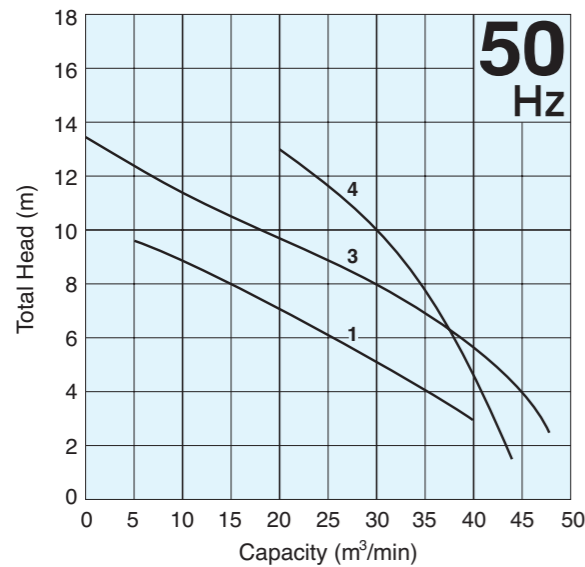


Performance Curves

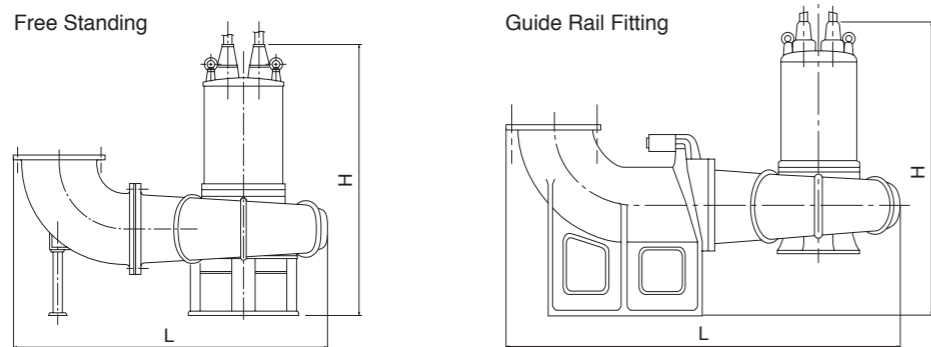


Model Selection

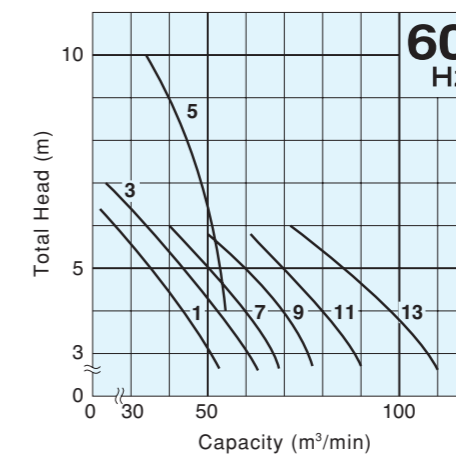
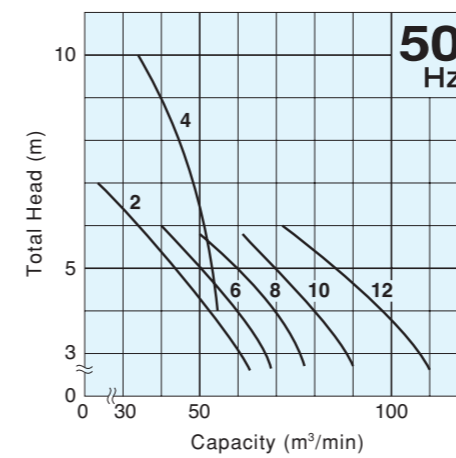
Curve No.	Discharge Bore mm	Model		Motor Output kW	Phase	Speed (S.S.) 50Hz/60Hz min ⁻¹	Starting Method	Cable Length m	Cable Code	Dimensions L×H mm		Dry Weight* kg		Frequency
		Free Standing	Guide Rail Fitting							Free Standing	Guide Rail Fitting	Free Standing	Guide Rail Fitting	
1	500	500B1037	TO500B1037	37	Three	600/—	Star-Delta	10	K	2073×2081	2624×2183	2050	1950	50Hz only
2	500	500B1237	TO500B1237	37	Three	—/600	Star-Delta	10	K	2073×2081	2624×2183	2050	1950	60Hz only
3	500	500B855	TO500B855	55	Three	750/900	Star-Delta	10	K	2111×2077	2662×2225	2150	2050	50Hz/60Hz
4	500	500B675	TO500B675	75	Three	1000/1200	Star-Delta	10	K	2263×1987	2814×2152	2150	2050	50Hz/60Hz
5	500	500B875	TO500B875	75	Three	—/900	Star-Delta	10	K	2150×2694	2700×2644	2550	2450	60Hz only

* All weights excluding cable
Weights of guide rail fitting model excluding duckfoot bend

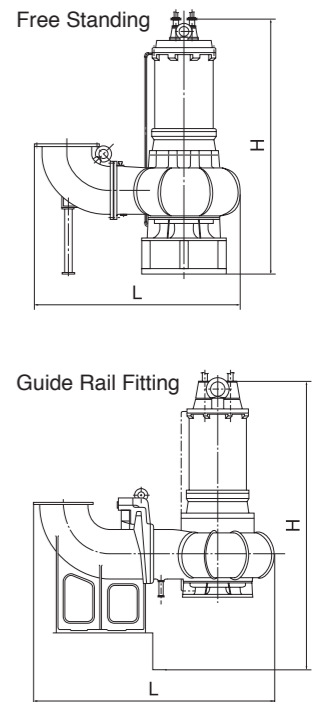
Dimensions



Performance Curves



Dimensions



Model Selection

Curve No.	Discharge Bore mm	Model		Motor Output kW	Phase	Speed (S.S.) 50Hz/60Hz min ⁻¹	Starting Method	Cable Length m	Cable Code	Dimensions L×H mm		Dry Weight* kg		Frequency
		Free Standing	Guide Rail Fitting							Free Standing	Guide Rail Fitting	Free Standing	Guide Rail Fitting	
1	600	600B1845	TO600B1845	45	Three	—/400	Star-Delta	10	K	2522×3100	3062×3100	5000	5200	60Hz only
2	600	600B1255	TO600B1255	55	Three	500/—	Star-Delta	10	K	2522×3100	3062×3100	3150	3350	50Hz only
3	600	600B1455	TO600B1455	55	Three	—/514	Star-Delta	10	K	2522×3100	3062×3100	3150	3350	60Hz only
4	600	600B1085	TO600B1085	85	Three	600/—	Star-Delta	10	K	2468×3100	3008×3100	3100	3300	50Hz only
5	600	600B1285	TO600B1285	85	Three	—/600	Star-Delta	10	K	2468×3100	3008×3100	3100	3300	60Hz only
6	700	700B1265	TO700B1265	65	Three	500/—	Star-Delta	10	K	2840×3560	3440×3660	4000	4400	50Hz only
7	700	700B1465	TO700B1465	65	Three	—/514	Star-Delta	10	K	2840×3560	3440×3660	4000	4400	60Hz only
8	700	700B1275	TO700B1275	75	Three	500/—	Star-Delta	10	K	2840×3560	3440×3660	4200	4600	50Hz only
9	700	700B1475	TO700B1475	75	Three	—/514	Star-Delta	10	K	2840×3560	3440×3660	4200	4600	60Hz only
10	800	800B1290	TO800B1290	90	Three	500/—	Star-Delta	10	L	3053×3790	3623×3790	5600	5800	50Hz only
11	800	800B1490	TO800B1490	90	Three	—/514	Star-Delta	10	L	3053×3790	3623×3790	5600	5800	60Hz only
12	800	800B14110	TO800B14110	110	Three	428/—	Star-Delta	10	L	3053×3790	3623×3790	5800	6000	50Hz only
13	800	800B16110	TO800B16110	110	Three	—/450	Star-Delta	10	L	3053×3790	3623×3790	5800	6000	60Hz only

* All weights excluding cable
Weights of guide rail fitting model excluding duckfoot bend