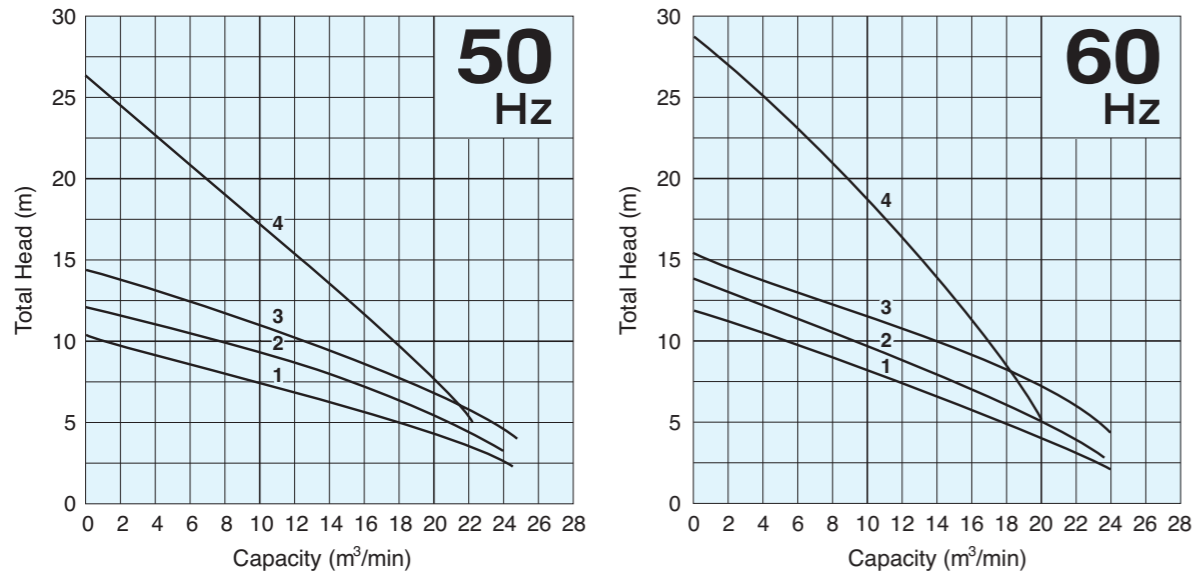


■ Performance Curves

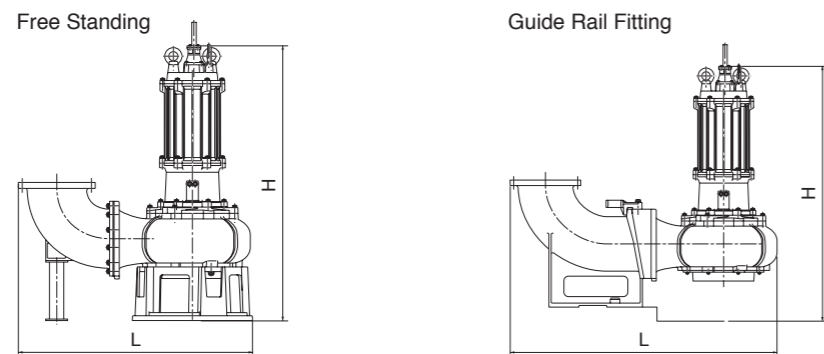


■ Model Selection

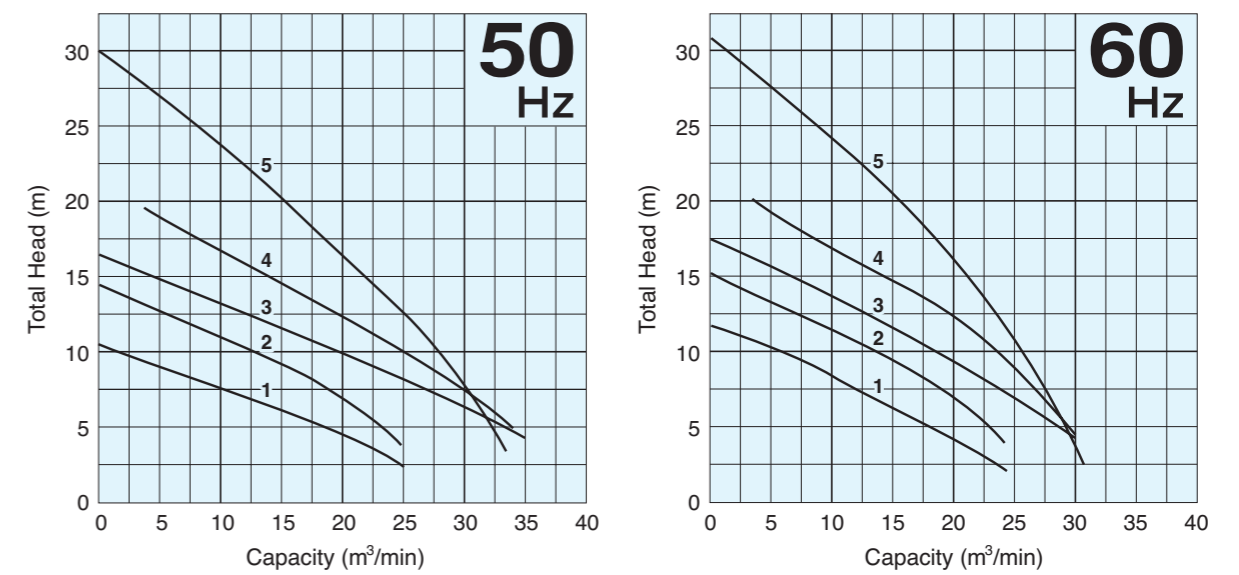
Curve No.	Discharge Bore mm	Model		Motor Output kW	Phase	Speed (S.S.) 50Hz/60Hz min ⁻¹	Starting Method	Cable Length m	Cable Code	Dimensions L×H mm		Dry Weight * ² kg	
		Free Standing	Guide Rail Fitting							Free Standing	Guide Rail Fitting	Free Standing	Guide Rail Fitting
1	350	350B822	TO350B822	22	Three	750/900	Star-Delta	10	J	1488×1677	1845×1692	910	760
2	350	350B630	TO350B630	30	Three	1000/1200	Star-Delta	10	J(Q* ¹)	1488×1677	1845×1692	870	720
3	350	350B637	TO350B637	37	Three	1000/1200	Star-Delta	10	J(Q* ¹)	1488×1684	1845×1699	905	750
4	350	350B645	TO350B645	45	Three	1000/1200	Star-Delta	10	J	1488×1788	1845×1811	1316	1161

*¹ 200~240V
*² All weights excluding cable
Weights of guide rail fitting model excluding duckfoot bend

■ Dimensions



■ Performance Curves



■ Model Selection

Curve No.	Discharge Bore mm	Model		Motor Output kW	Phase	Speed (S.S.) 50Hz/60Hz min ⁻¹	Starting Method	Cable Length m	Cable Code	Dimensions L×H mm		Dry Weight * ² kg	
		Free Standing	Guide Rail Fitting							Free Standing	Guide Rail Fitting	Free Standing	Guide Rail Fitting
1	400	400B822	TO400B822	22	Three	750/900	Star-Delta	10	J	1583×1677	2122×1752	930	865
2	400	400B637	TO400B637	37	Three	1000/1200	Star-Delta	10	J(Q* ¹)	1583×1684	2122×1759	925	855
3	400	400B645	TO400B645	45	Three	1000/1200	Star-Delta	10	J	1633×1792	2130×1920	1416	1346
4	400	400B655	TO400B655	55	Three	1000/1200	Star-Delta	10	K	1621×1878	2140×1956	1750	1700
5	400	400B675	TO400B675	75	Three	1000/1200	Star-Delta	10	K	1616×1878	2135×1956	1850	1800

*¹ 200~240V
*² All weights excluding cable
Weights of guide rail fitting model excluding duckfoot bend

■ Dimensions

