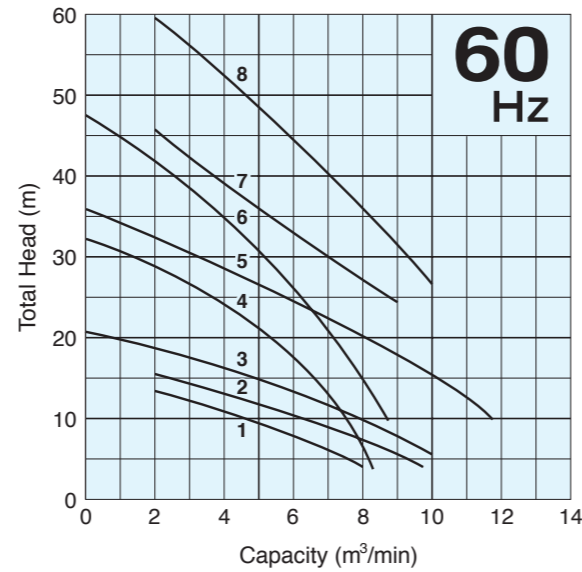
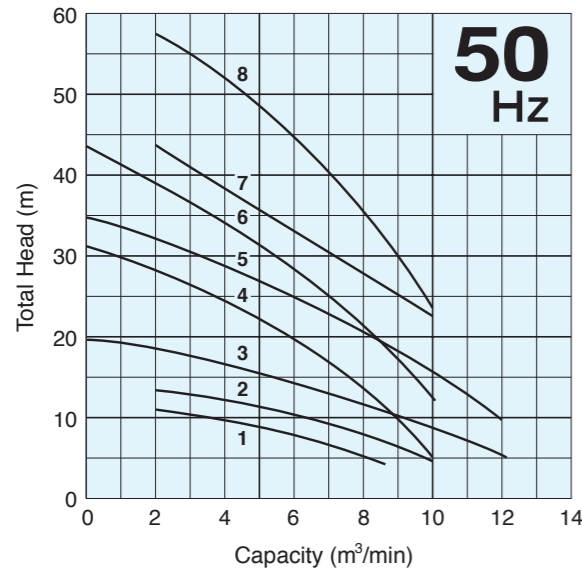


Performance Curves



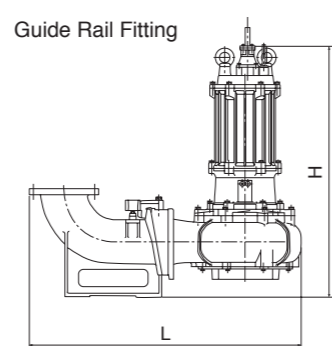
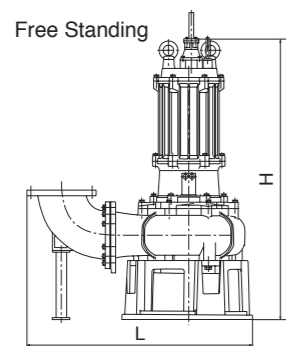
Model Selection

Curve No.	Discharge Bore mm	Model		Motor Output kW	Phase	Speed (S.S.) 50Hz/60Hz min ⁻¹	Starting Method	Cable Length m	Cable Code	Dimensions L×H mm		Dry Weight *2 kg	
		Free Standing	Guide Rail Fitting							Free Standing	Guide Rail Fitting	Free Standing	Guide Rail Fitting
1	250	250B611	TO250B611	11	Three	1000/1200	Star-Delta	8	M(N*1)	1203×1211	1513×1165	430	390
2	250	250B415	TO250B415	15	Three	1500/1800	Star-Delta	8	G	1146×1228	1451×1194	420	380
3	250	250B622	TO250B622	22	Three	1000/1200	Star-Delta	10	J	1313×1565	1586×1504	665	560
4	250	250B430	TO250B430	30	Three	1500/1800	Star-Delta	10	J	1295×1512	1566×1445	645	525
5	250	250B437	TO250B437	37	Three	1500/1800	Star-Delta	10	Q	1295×1575	1566×1508	725	600
6	250	250B445	TO250B445	45	Three	1500/1800	Star-Delta	10	J	1313×1537	1578×1478	695	595
7	250	250B455	TO250B455	55	Three	1500/1800	Star-Delta	10	K	1293×1698	1585×1634	1100	1040
8	250	250B475	TO250B475	75	Three	1500/1800	Star-Delta	10	K	1293×1698	1585×1634	1150	1090

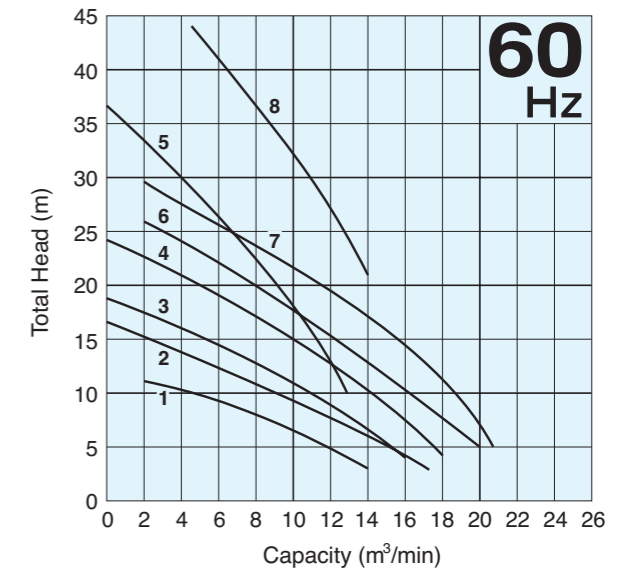
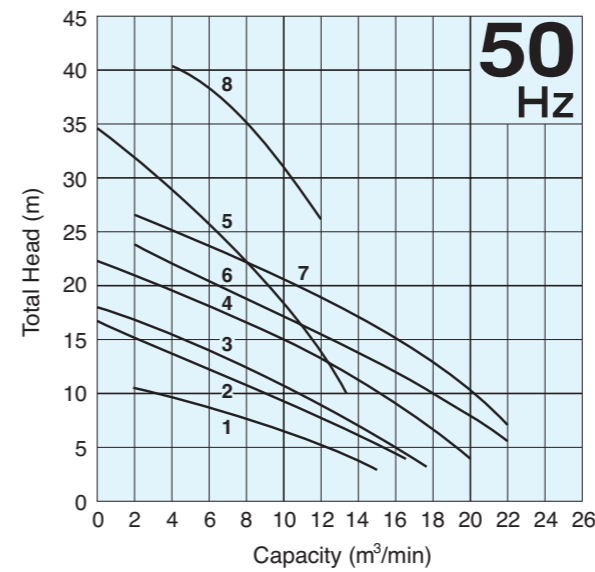
*1 200~240V

*2 All weights excluding cable
Weights of guide rail fitting model excluding duckfoot bend

Dimensions



Performance Curves



Model Selection

Curve No.	Discharge Bore mm	Model		Motor Output kW	Phase	Speed (S.S.) 50Hz/60Hz min ⁻¹	Starting Method	Cable Length m	Cable Code	Dimensions L×H mm		Dry Weight *2 kg	
		Free Standing	Guide Rail Fitting							Free Standing	Guide Rail Fitting	Free Standing	Guide Rail Fitting
1	300	300B615	TO300B615	15	Three	1000/1200	Star-Delta	8	N(O*1)	1302×1314	1666×1274	550	520
2	300	300B622	TO300B622	22	Three	1000/1200	Star-Delta	10	J	1366×1574	1685×1577	720	615
3	300	300B630	TO300B630	30	Three	1000/1200	Star-Delta	10	Q	1366×1637	1685×1640	765	635
4	300	300B637	TO300B637	37	Three	1000/1200	Star-Delta	10	Q	1366×1644	1685×1647	785	660
5	300	300B445	TO300B445	45	Three	1500/1800	Star-Delta	10	J	1348×1586	1667×1567	785	655
6	300	300B645	TO300B645	45	Three	1000/1200	Star-Delta	10	K	1414×1788	1778×1721	1300	1230
7	300	300B655	TO300B655	55	Three	1000/1200	Star-Delta	10	K	1414×1833	1778×1766	1550	1500
8	300	300B475	TO300B475	75	Three	1500/1800	Star-Delta	10	K	1436×1698	1795×1663	1150	1100

*1 200~240V

*2 All weights excluding cable
Weights of guide rail fitting model excluding duckfoot bend

Dimensions

