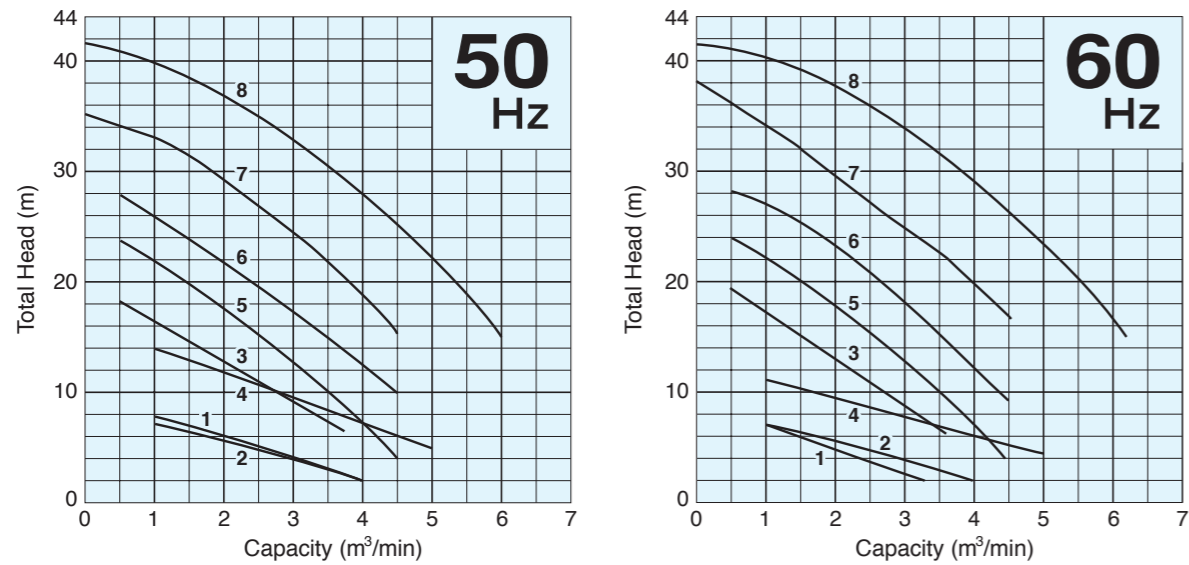


■ Performance Curves



■ Model Selection

Curve No.	Discharge Bore mm	Model		Motor Output kW	Phase	Speed (S.S.) 50Hz/60Hz min ⁻¹	Starting Method	Cable Length m	Cable Code	Dimensions L×H mm		Dry Weight *3 kg	
		Free Standing	Guide Rail Fitting							Free Standing	Guide Rail Fitting	Free Standing	Guide Rail Fitting
1	150	150B43.7	TOS150B43.7	3.7	Three	1500/1800	D.O.L.*1	C	B(C*2)	871×875	1065×820	145	120
2	150	150B63.7	TOS150B63.7	3.7	Three	1000/1200	D.O.L.*1	6	D	838×903	1023×926	188	158
3	150	150B47.5H	TOS150B47.5H	7.5	Three	1500/1800	D.O.L.*1	8	E	834×952	1028×976	210	180
4	150	150B47.5L	TOS150B47.5L	7.5	Three	1500/1800	D.O.L.*1	8	E	871×1085	1065×1030	200	175
5	150	150B411	TOS150B411	11	Three	1500/1800	Star-Delta	8	F	895×1098	1089×1052	250	220
6	150	150B415	TOS150B415	15	Three	1500/1800	Star-Delta	8	G	895×1168	1089×1122	270	240
7	150	150B422	TOS150B422	22	Three	1500/1800	Star-Delta	10	P	898×1222	1092×1181	327	298
8	150	150B437	TO150B437	37	Three	1500/1800	Star-Delta	10	Q	1085×1548	1306×1380	640	540

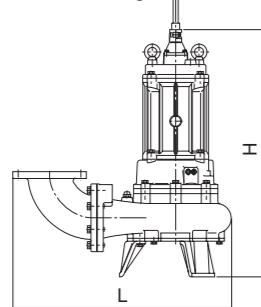
*1 Star-Delta available upon request

*2 200~240V

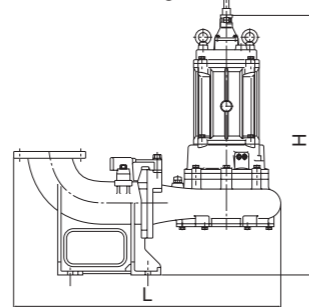
*3 All weights excluding cable
Weights of guide rail fitting model excluding duckfoot bend

■ Dimensions

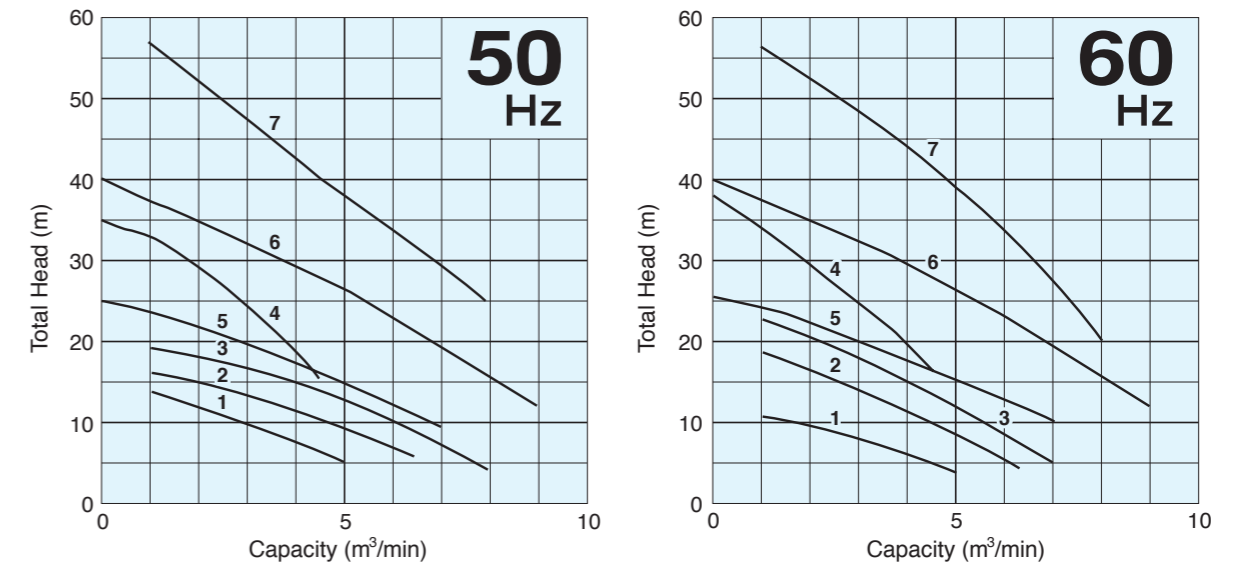
Free Standing



Guide Rail Fitting



■ Performance Curves



■ Model Selection

Curve No.	Discharge Bore mm	Model		Motor Output kW	Phase	Speed (S.S.) 50Hz/60Hz min ⁻¹	Starting Method	Cable Length m	Cable Code	Dimensions L×H mm		Dry Weight *3 kg	
		Free Standing	Guide Rail Fitting							Free Standing	Guide Rail Fitting	Free Standing	Guide Rail Fitting
1	200	200B47.5	TO200B47.5	7.5	Three	1500/1800	D.O.L.*1	8	E	926×1085	1266×1050	207	212
2	200	200B411	TO200B411	11	Three	1500/1800	Star-Delta	8	F	926×1131	1266×1096	258	263
3	200	200B415	TO200B415	15	Three	1500/1800	Star-Delta	8	G	971×1196	1234×1161	300	285
4	200	200B422H	TOS200B422H	22	Three	1500/1800	Star-Delta	10	P	953×1222	1117×1181	332	298
5	200	200B422	TOS200B422	22	Three	1500/1800	Star-Delta	10	P	953×1222	1117×1181	323	289
6	200	200B437	TO200B437	37	Three	1500/1800	Star-Delta	10	J(Q*2)	1190×1571	1428×1458	670	565
7	200	200B455	TO200B455	55	Three	1500/1800	Star-Delta	10	K	1188×1698	1499×1612	1060	1020

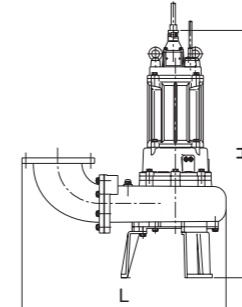
*1 Star-Delta available upon request

*2 200~240V

*3 All weights excluding cable
Weights of guide rail fitting model excluding duckfoot bend

■ Dimensions

Free Standing



Guide Rail Fitting

