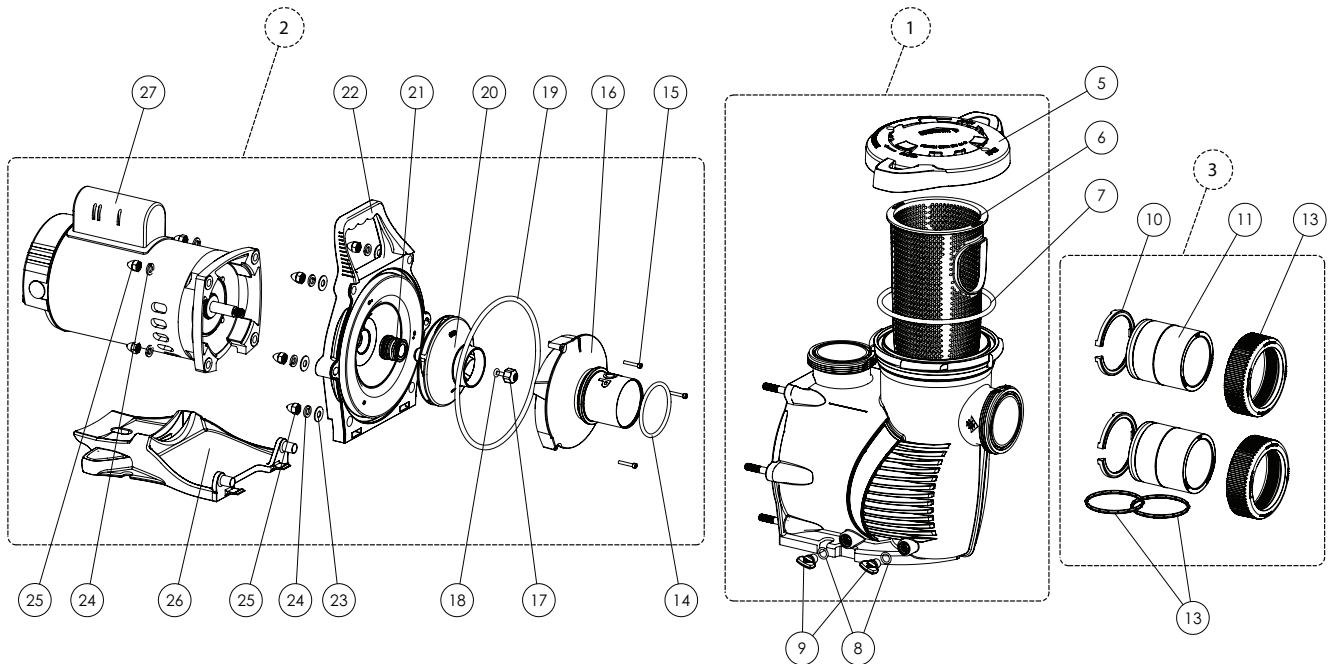


# REPLACEMENT PARTS

## WhisperFloXF™ and Max-E-ProXF™ High Performance Pump



Item No.	Description	WhisperFlo XF	Max-E-Pro XF
1	Wet End Assembly	400000	401000
2	Power End Assembly	See Power End Table	
3	Union Kit Without Tap	410020	
5	Lid/Locking Ring Assembly	400006	401006
6	XF Series Replacement Basket	400007z	
7	Lid/Locking Ring O-Ring	35505-1440	
8	Drain Plug O-Ring	192115	
9	Drain Plug	071131	357161
10	2.5" C-Clip Locking Ring	410001	
11	2.5" Union Adapter without Tap	410002	
12	2.5" Union Nut	411000	
13	2.5" Diamond Seal Kit - (Includes two)	410016z	
14	Diffuser O-Ring	350336	
15	Diffuser Screw	353323	
16	Diffuser	See Hydraulic Parts Table	
17	Impeller Reverse Screw	37337-6080	
18	Impeller Reverse Screw O-Ring	33455-1047	
19	Seal Plate O-Ring	351446	
20	Impeller Assembly	See Hydraulic Parts Table	
21	Mechanical Seal Assembly	37400-0028s	
22	Seal Plate	400002	401002
22	Seal Plate Kit With Mech Seal	400031z	400032z
23	Flat Washer	072184	
24	Split Lock Washer	U43-12SS	
25	Acorn Nut	071413	
26	Motor Base	400004z	
27	Motor	See Motor Table	
Not Shown	Hardware and O-Rings Kit	400030z	
Not Shown	Riser Plate XF to Challenger	400012	
Not Shown	Seal Plate Kit With Mech Seal	400031z	400032z

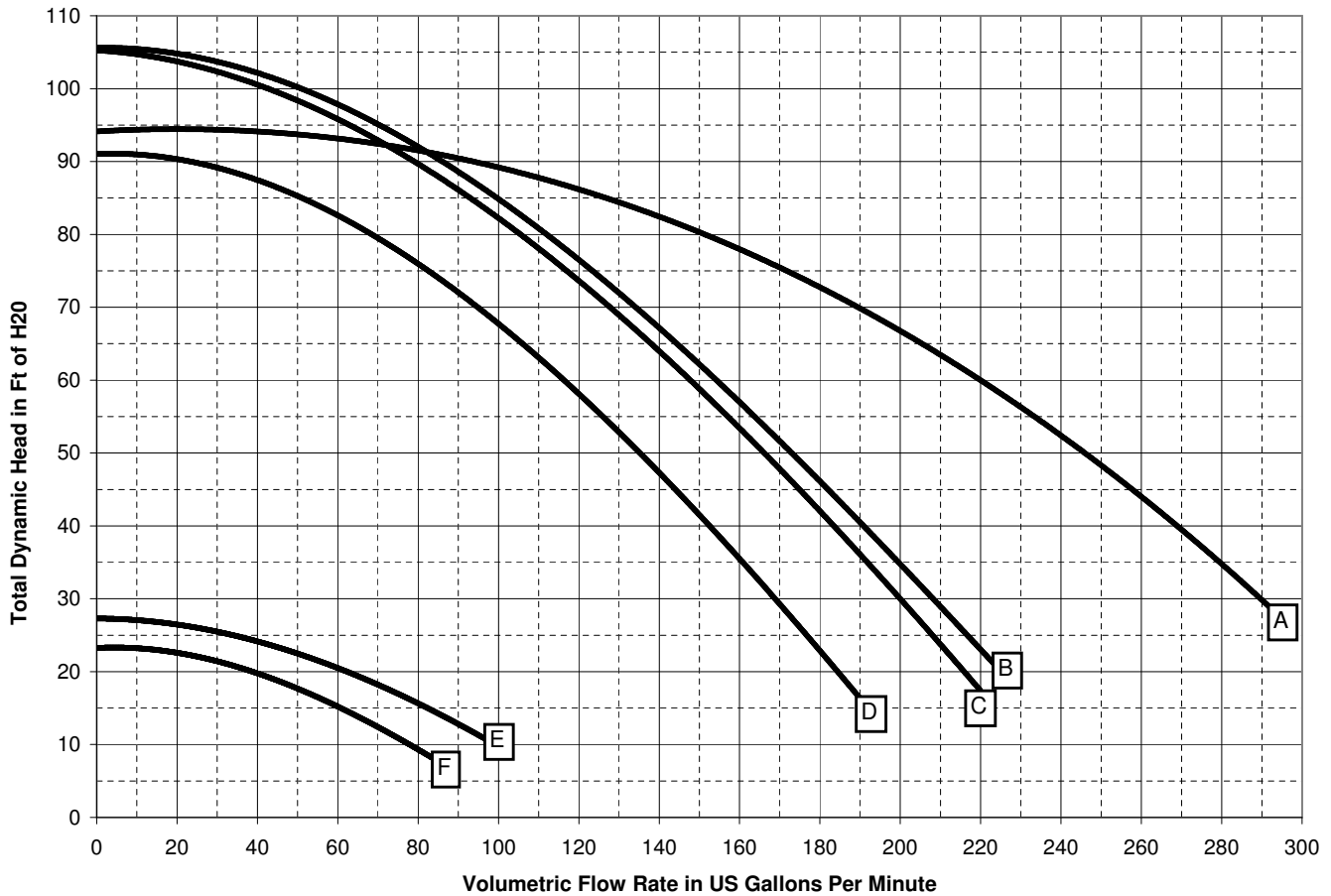
## Motor Table

Model Name			Motor Part Number		Power End Part	
WhisperFloXF	Max-E-ProXF	Description	WhisperFloXF	Max-E-ProXF	WhisperFloXF	Max-E-ProXF
XF-8	XP-8	2hp Standard E 230V	355026s	355027s	400612z	401612z
XF-12	XP-12	3hp Standard E 230V	355033s	355034s	400613z	401613z
XFE-8	XPE-8	2hp High Eff 208-230V	355014s	355015s	400609z	401609z
XFE-12	XPE-12	3hp High Eff 208-230V	355016s	355017s	400610z	401610z
XFE-20	XPE-20	5hp High Eff 208-230V	353317s	353319s	400611z	401611z
XFDS-8	XPDS-8	2hp 2 Speed 230V	359526s	359527s	400607z	401607z
XFDS-12	XPDS-12	3hp 2 Speed 230V	353316s	353318s	400608z	401608z
XFDS-30	XPDS-30	2.5hp Uprated 2 Speed 230V	359526s	359527s	400607z	401607z
XF-30	XP-30	2.5hp Uprated Standard E 230V	355026s	355027s	400612z	401612z
XFE-30	XPE-30	2.5hp Uprated High E 208-230V	355014s	355015s	400609z	401609z
XFJ-8	XPJ-8	2hp 3 Phase High E 208-230-460V	356628s	355205s	400629z	401629z
XFJ-12	XPJ-12	3hp 3 Phase High E 208-230-460V	356629s	355398s	400630z	401630z
XFJ-20	XPJ-20	5hp 3 Phase High E 208-230-460V	353051s	355704s	400631z	401631z
XFK-8	XPK-8	2hp 3 Phase TEFC 208-230-460V	354809s	354810s	400617z	401617z
XFK-12	XPK-12	3hp 3 Phase TEFC 208-230-460V	354811s	354812s	400618z	401618z
XFK-20	XPK-20	5hp 3 Phase TEFC 208-230-460V	354813s	354814s	400619z	401619z

## Hydraulic Parts Table

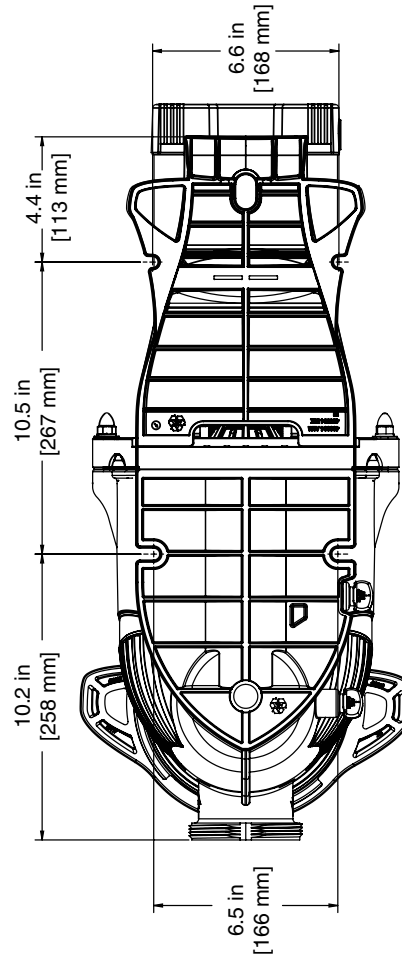
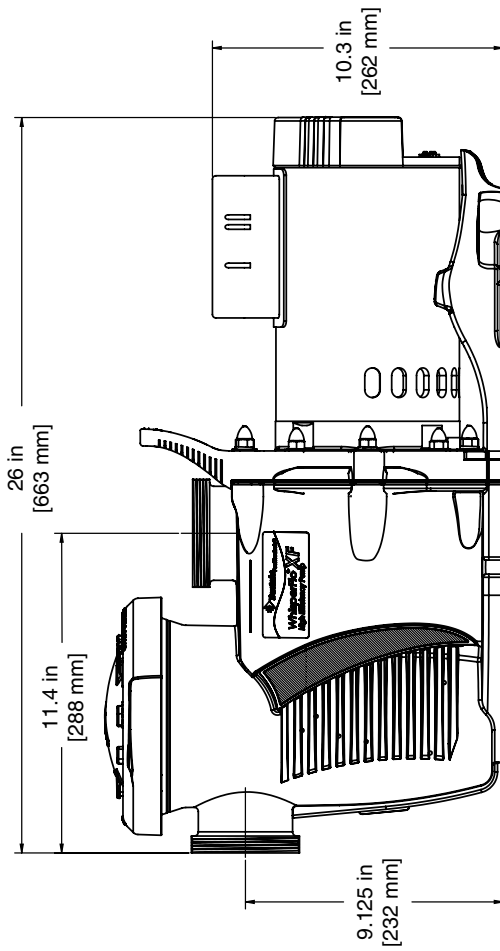
Model Name			Hydraulic Parts	
WhisperFloXF	Max-E-ProXF	Description	Diffuser	Impeller
XF-8	XP-8	2hp Standard E 230v	400010	400020
XF-12	XP-12	3hp Standard E 230v	400010	400015
XFE-8	XPE-8	2hp High Eff 208-230v	400010	400020
XFE-12	XPE-12	3hp High Eff 208-230v	400010	400015
XFE-20	XPE-20	5hp High Eff 208-230v	400011	400023
XFDS-8	XPDS-8	2hp 2 Speed 230V	400010	400020
XFDS-12	XPDS-12	3hp 2 Speed 230V	400010	400015
XFDS-30	XPDS-30	2.5hp Uprated 2 Speed 230V	400010	400020
XF-30	XP-30	2.5hp Uprated Standard E 230V	400010	400020
XFE-30	XPE-30	2.5hp Uprated High E 208-230v	400010	400020
XFJ-8	XPJ-8	2hp 3 Phase High E 208-230-460v	400010	400020
XFJ-12	XPJ-12	3hp 3 Phase High E 208-230-460v	400010	400015
XFJ-20	XPJ-20	5hp 3 Phase High E 208-230-460v	400011	400023
XFK-8	XPK-8	2hp 3 Phase TEFC 208-230-460V	400010	400020
XFK-12	XPK-12	3hp 3 Phase TEFC 208-230-460V	400010	400015
XFK-20	XPK-20	5hp 3 Phase TEFC 208-230-460V	400011	400023

## Pump Performance Curves



Pump Model		Performance Curve
WhisperFloXF	Max-E-ProXF	
XFE-20	XPE-20	A
XFJ-20	XPJ-20	A
XFK-20	XPK-20	A
XFE-12	XPE-12	B
XF-12	XP-12	C
XFDS-12	XPDS-12	B,E
XFJ-12	XPJ-12	B
XFK-12	XPK-12	B
XFE-8	XPE-8	D
XF-8	XP-8	D
XFDS-8	XPDS-8	D,F
XFE-30	XPE-30	D
XF-30	XP-30	D
XFDS-30	XPDS-30	D,F
XFJ-8	XPJ-8	D
XFK-8	XPK-8	D

# Pump Dimensions



ANCHOR BOLT MOUNTING LOCATIONS

