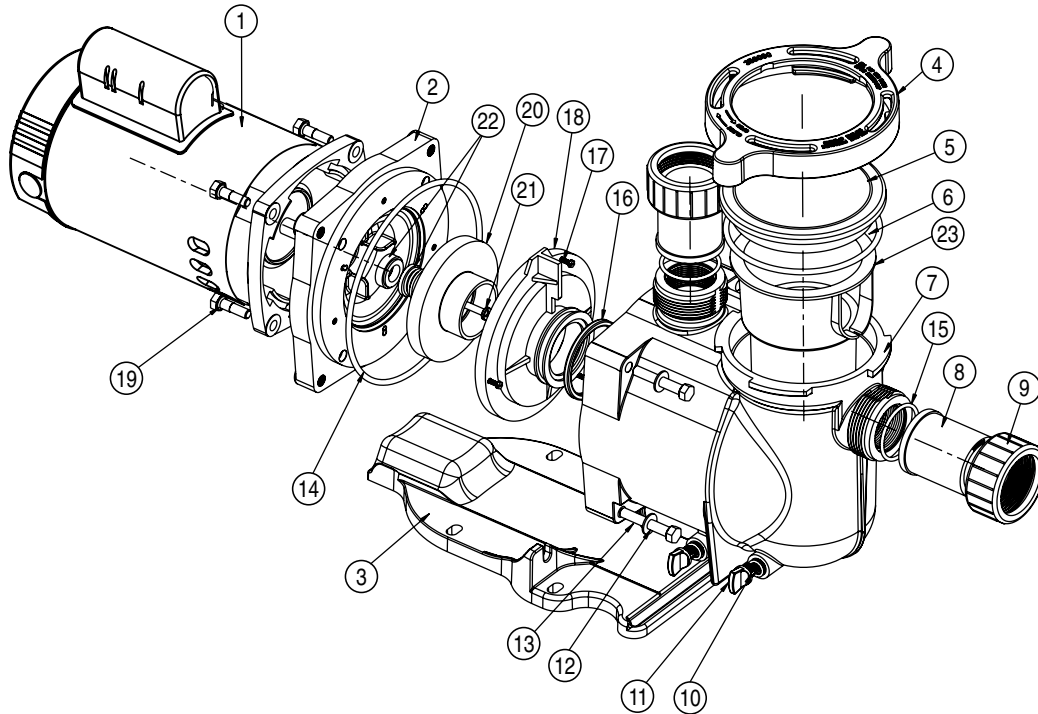


REPLACEMENT PARTS

SuperFlo® High Performance Pump Parts List



Item No.	Part No.	Description
SINGLE SPEED SUPERFLO MOTORS		
1	355018S	½, ¾ HP — (Almond)
1	355020S	1 HP — (Almond)
1	355022S	1½ HP — (Almond)
1	355024S	2 HP — (Almond)
1	355026S	2½ HP — (Almond)
DUAL SPEED SUPERFLO MOTORS		
1	350088S	¾ HP 115 VOLTAGE — (Almond)
1	355003S	1 HP — (Almond)
1	356630S	1½ HP — (Almond)
1	071320S	2 HP — (Almond)
ENERGY EFFICIENT SUPERFLO MOTORS		
1	355008S	½, ¾, 1 HP — (Almond)
1	355010S	1½ HP — (Almond)
1	355012S	2 HP — (Almond)
1	355014S	2½ HP — (Almond)
2	356012	SEAL PLATE
3	350094	BASE
4	350090	CLAMP, RAMP & CAM
5	350091	LID
6	357255	O-RING, LID #2-357
7	350089	VOLUTE
8	350093	ADAPTER, 2 req.
9	350092	NUT, 2 req.
10	192115	O-RING DRAIN PLUG, 2 req.
11	071131	DRAIN PLUG, 2 req.

Item No.	Part No.	Description
12	355621	SCREW ¾-16 X 2¼ HEX HD, 4 req.
13	072184	WASHER 3/8 in. S/S, 4 req.
14	355619	O-RING SEAL BRACKET
15	6020018	O-RING ADAPTER #2-226, 2 req.
16	355030	SEAL DIFFUSER
17	355334	SCREW #8-32 HEX WASHER HD, 3 req.
18	355617	DIFFUSER - ½ HP
18	355617	DIFFUSER - ¾ HP
18	355617	DIFFUSER - 1 HP
18	355618	DIFFUSER - 1½ HP
18	355618	DIFFUSER - 2 HP
18	350170	DIFFUSER - 2½ HP
19	U30-74SS	HEX HEAD SCREW 3/8 - 16, 4 req.
20	355043	IMPELLER ½ HP
20	355043	IMPELLER ¾ HP
20	355067	IMPELLER 1 HP
20	355074	IMPELLER 1½ HP
20	355086	IMPELLER 2 HP
20	355093	IMPELLER 2½ HP
20	355067	IMPELLER 1 HP, 2-SPD
20	355074	IMPELLER 1½ HP, 2-SPD
20	355086	IMPELLER 2 HP, 2-SPD
21	355389	SCREW, IMPELLER LOCKING
22	354545S	SEAL SET
23	355667	BASKET, LARGE
24	350157	KIT UNION SUPERFLO (Items No. 8, 9, 15)

Pump Performance Curves

