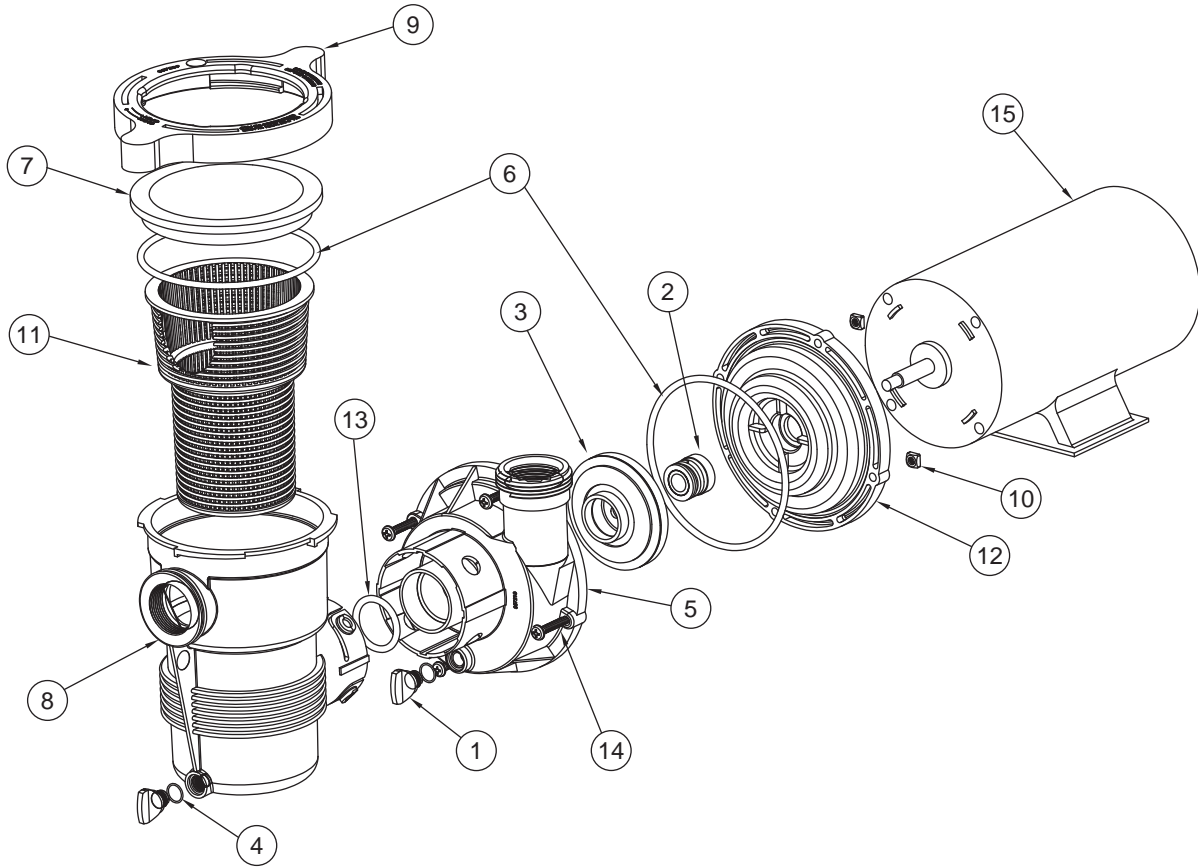


## SECTION VII. TECHNICAL DATA

### REPLACEMENT PARTS



Item No.	Part No.	Description
1	357161	Drain Plug, 3 req.
2	354545	Mechanical Seal
3	354552	Impeller – 3/4 hp, 1 hp SPL
3	350017	Impeller – 1 hp, 1.5 hp SPL
3	350018	Impeller – 1.5 hp
4	192115	O-ring, 3 req.
5	357213	Volute Assembly
6	357255	O-ring 2-357, 2 req.
7	357227	Lid
8	357228	Pot Assembly
9	357239	Clamp Ram & Cam
10	357254	1/4-20 Square Nut, 4 req.
11	355667	Basket
12	357215	Seal Plate
13	350103	O-ring
14	98209000	1/4-20 x 1.5 Machine Screw, 4 req.

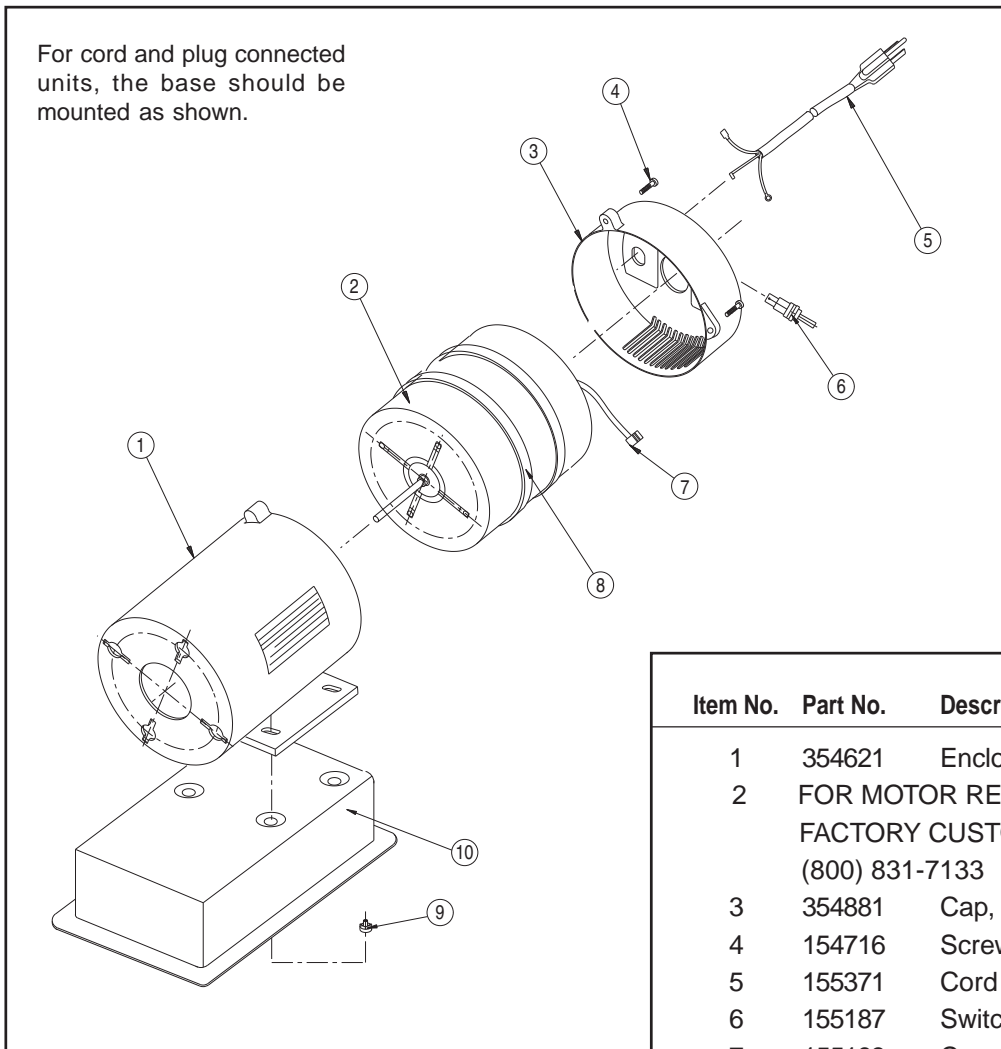
**FOR MOTOR REPLACEMENT  
CONSULT FACTORY CUSTOMER  
SERVICE (800) 831-7133**

### NOT SHOWN

79137800 Cord – 3 Ft. long, Standard 15 Amp Plug  
155234 Cord – 3 Ft. long, Twist Lock 15 Amp Plug

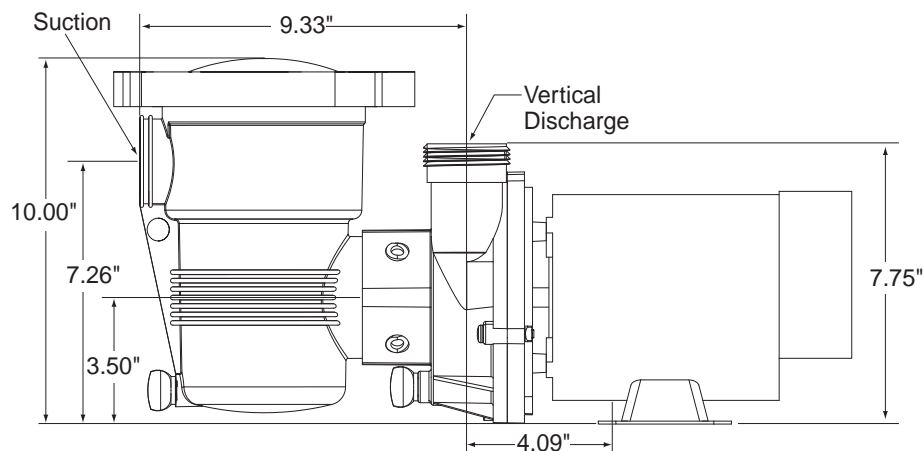
## REPLACEMENT PARTS (BASE MOUNTED UNITS)

For cord and plug connected units, the base should be mounted as shown.



Item No.	Part No.	Description
1	354621	Enclosure Housing
2	FOR MOTOR REPLACEMENT CONSULT FACTORY CUSTOMER SERVICE (800) 831-7133	
3	354881	Cap, CSA Mtr. Enclsr. w/3 Screws
4	154716	Screw - Self Tapping HH #10, 3 req.
5	155371	Cord - 25 ft. 16 Ga. Power Supply
6	155187	Switch Toggle Double Insulated
7	155193	Conn. #16 Switch
8	354658	Insulated Foam w/Adhsve. Back
9	155109	Nut - T4 Prong
10	153263	Base CSA 4 in. High

## DIMENSIONAL DATA



# OptiFlo® Aboveground Pool Pump Curves

