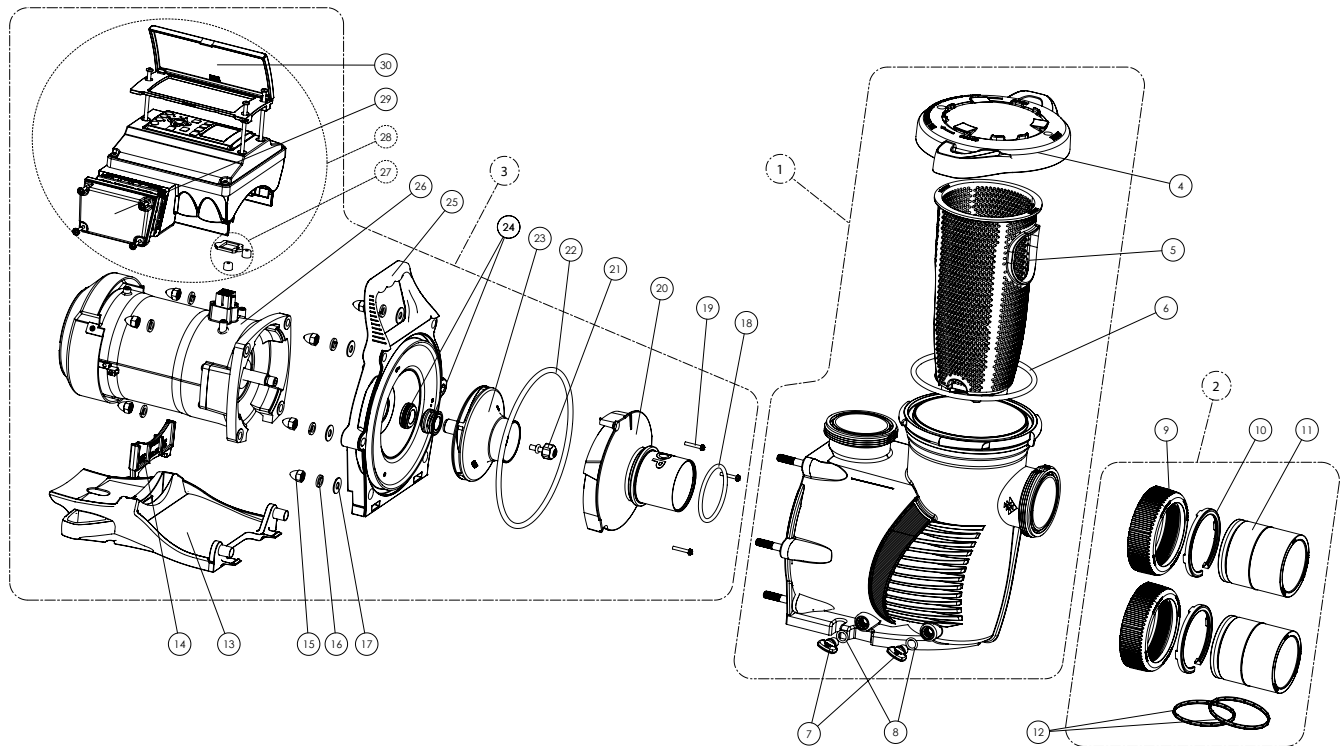


# REPLACEMENT PARTS

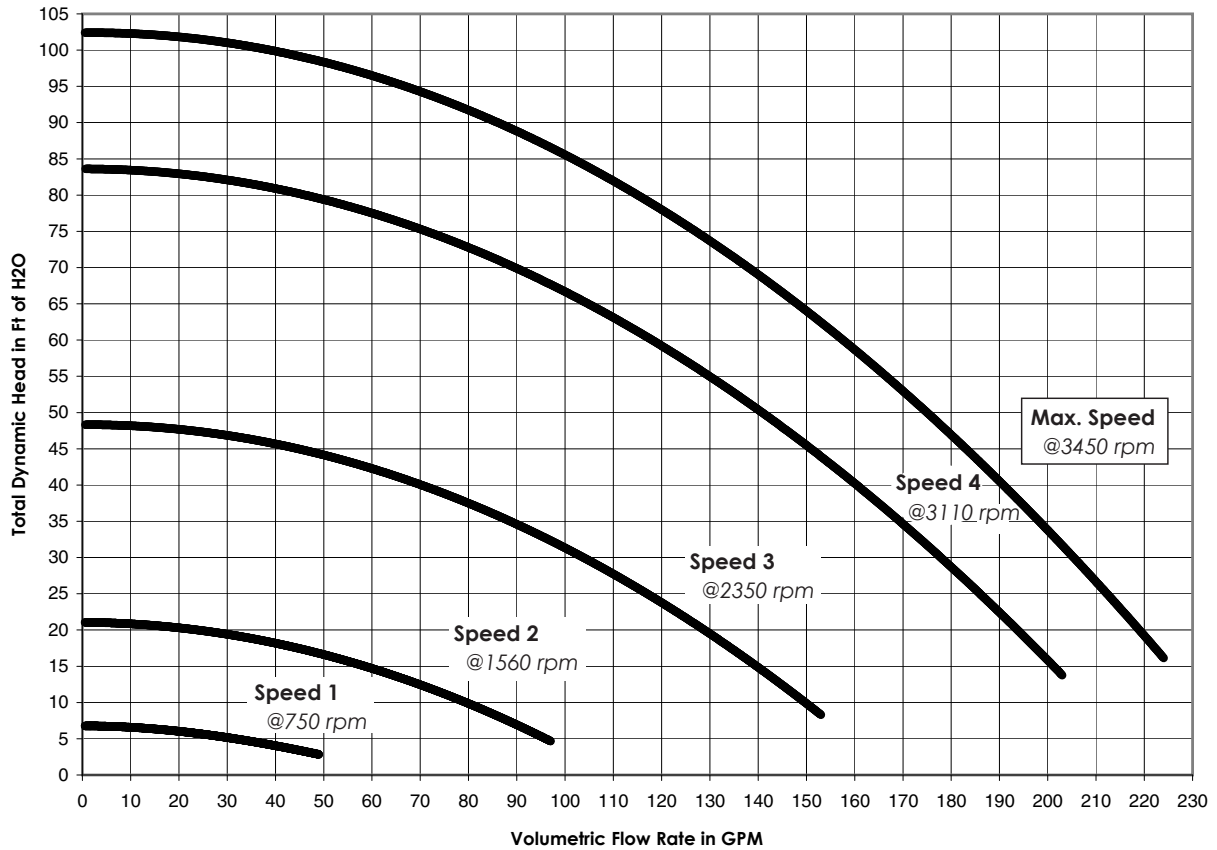


## IntelliFloXF® and IntelliProXF® Variable Speed Pump Replacement Parts

Item No.	Description	IntelliFloXF	IntelliProXF
1	Wet End Assembly	400000	401000
2	Union Kit Without Tap	410020	
3	Power End Assy. w/ Drive	400605	401605
4	Lid/Locking Ring Assy. - Black	400006	401006
5	XF Replacement Basket	400007z	
6	Lid/Locking Ring O-Ring	35505-1440	
7	Drain Plug	071131	357161
8	Drain Plug O-Ring	192115	
9	2.5" Union Nut	411000	
10	2.5" C-Clip Locking Ring	410001	
11	2.5" Union Adapter w/o Tap	410002	
12	2.5" Diamond Seal Kit (Includes two)	410016z	
13	Motor Base	400004z	401004z
14	Motor Support Insert	070429	
15	Acorn Nut	071413	
16	Split Lock Washer	U43-12SS	
17	Flat Washer	072184	
18	Diffuser O-Ring	350336	

Item No.	Description	IntelliFloXF	IntelliProXF
19	Diffuser Screw	353323	
20	Diffuser	400010	
21	Impeller Reverse Screw	37337-6080	
22	Seal Plate O-Ring	351446	
23	Impeller Assembly	400015	
24	Mechanical Seal Assembly	37400-0028s	
25	Seal Plate	400002	401002
26	Motor Kit	350105s	357294s
27	Drive Hardware and Gasket Kit	350612	
28	Variable Spd Drive Assy. Kit	353251	353252
29	Field Wiring Comp Kit w/ Gasket	350621	353310
30	Control Cover Assy. Kit	350601	350701
Not Shown	Riser Plate XF to Challenger	400012	
Not Shown	Seal Plate Kit With Mech Seal	400031z	400032z
Not Shown	Hardware and O-Ring Kit	400030z	

## Pump Performance Curves



## Pump Dimensions

