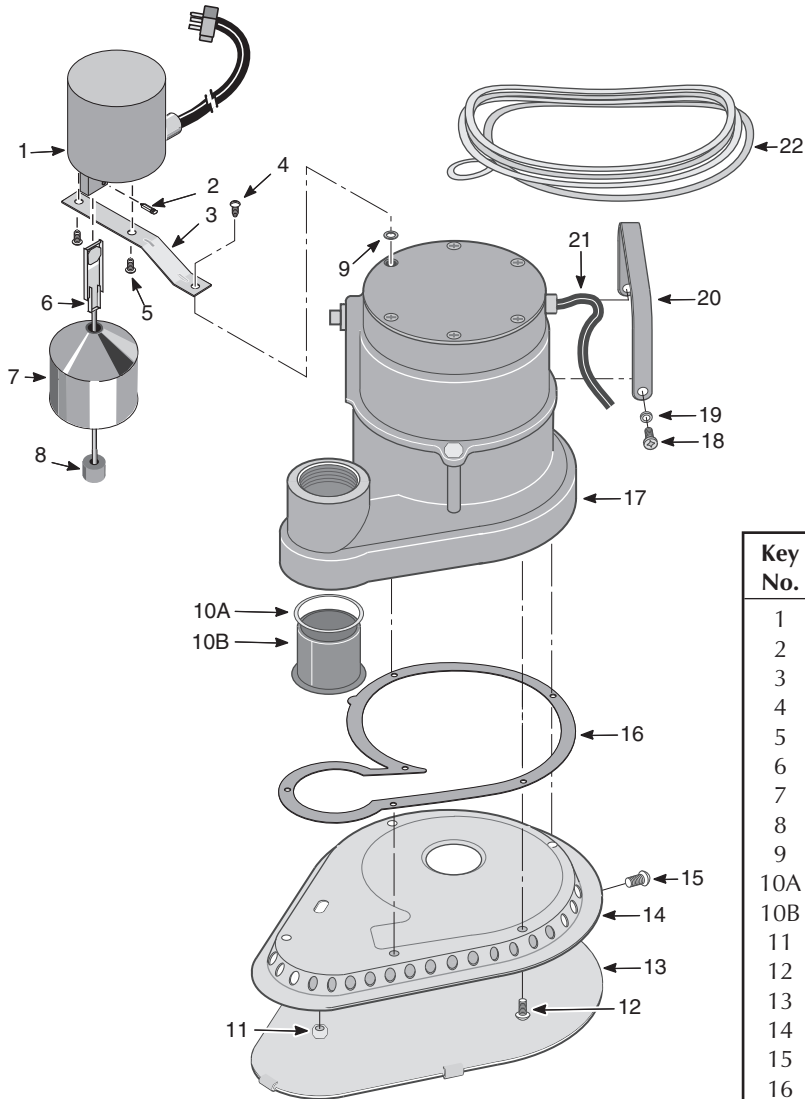


Sta-Rite Submersible Swimming Pool Drainer MODEL NO. PCD-10B



REPAIR PARTS LIST

Key No.	Description	Qty.	PCD-10B 1/2 HP
1	Switch (Incl. Key Nos. 2-9)	1	PS17-89
2	Pin	1	PS30-3
3	Bracket	1	PS19-101SS
4	Screw	1	U30-539
5	Screw	2	U30-955SS
6	Float Rod	1	PS28-17
7	Float	1	PS28-18
8	Rubber Rod Stop	1	RP0005248
9	Rubber Gasket	1	RP0001616
10A	Retainer Ring	2	PS43-10
10B	Check Valve	1	PS20-12
11	Locknut, 8-32	1	U36-129DN
12	Machine Screw 8-32x1/2"	6	U30-539SS
13	Base Plate Cover	1	PS4-11D
14	Base Plate	1	PS4-9D
15	Machine Screw 10x1/2"	1	U30-692SS
16	Gasket	1	PS20-22
17	Motor Assembly Complete*	1	-
18	Screw, 1/4-20x1/2"	2	U30-694SS
19	Spacer	2	PS43-15
20	Handle	1	PS54-11
21	Cord	1	U17-505
22	Rope - 24 Feet	1	U97-21A
	• Dielectric Oil (19.5 oz. required)		U97-98
	• Owner's Manual	1	S958

• Not illustrated.

* Not available separately.