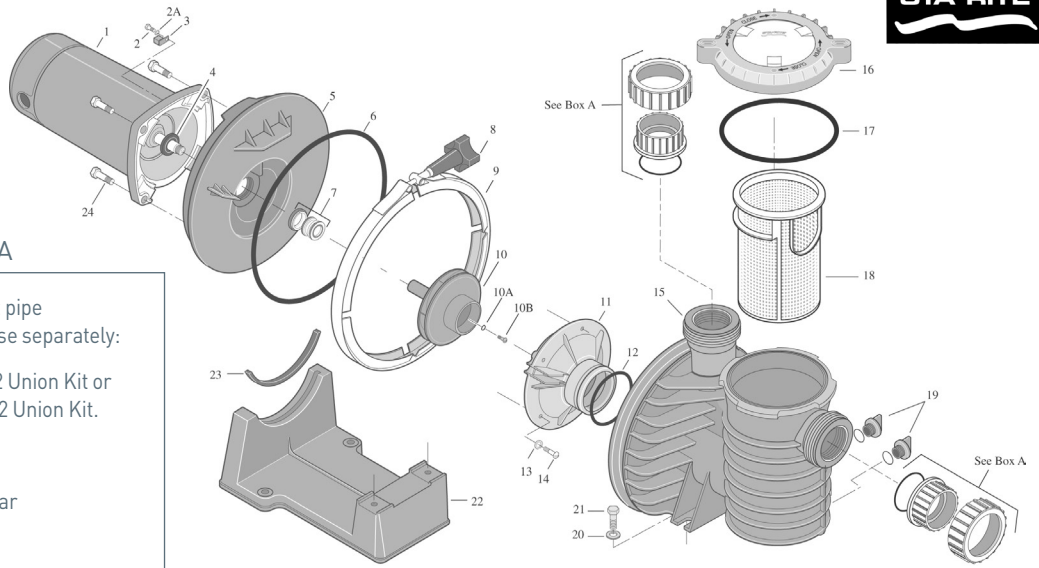


MAX-E-PRO® SERIES PUMP

REPLACEMENT PARTS



Box A

For quick disconnect pipe connections, purchase separately:

Pkg. 188 2 in. Slip 1/2 Union Kit or
Pkg. 189 2 in. NPT 1/2 Union Kit.

Includes 2 each:

U11-200P Union Collar

U9-362 O-Ring

U11-196P 2 in. Slip adapter or
U11-199P 2 in. NPT adapter.

Model No.	HP	Motor No. (Item No. 1)	Impeller (Item No. 10)	Diffuser (Item No. 11)
1 PHASE 60 HZ PUMPS - 115/230 V 1- Speed				
P6E6C-204L	1/2	AE100CHL	C105-238PX	C1-271P1
P6E6D-205L	3/4	AE100DHL	C105-238P	C1-271P1
P6R6D-205L	3/4	355021S	C105-238P	C1-271P1
P6E6E-206L	1	AE100EHL	C105-238PB	C1-271P1
P6EA6E-205L	1	AE100ELL	C105-238P	C1-271P1
P6RA6E-205L	1	A100ELL	C105-238P	C1-271P1
P6R6E-206L	1	355023S	C105-238PB	C1-271P1
P6EA6F-206L	1-1/2	AE100FLL	C105-238PB	C1-271P1
P6RA6F-206L	1-1/2	A100FLL	C105-238PB	C1-271P1
P6R6F-207L	1-1/2	355025S	C105-238PDBA	C1-271P
1 PHASE 60 HZ PUMPS - 230V 1-Speed				
P6E6F-207L	1-1/2	AE100FHL	C105-238PDBA	56 C1-271P
P6EAA6F-216L	1-3/4	AE100F5LL	C105238PDCA	56 C1-271P
P6RAA6F-216L	1-3/4	A100F5LL	C105-238PDCA	56 C1-271P
P6E6G-208L	2	AE100GHL	C105-238PEBA	56 C1-271P
P6EA6G-207L	2	AE100GLL	C105-238PDBA	56 C1-271P
P6RA6G-207L	2	AE100GHL	C105-238PDBA	56 C1-271P
P6R6G-208L	2	355027S	C105-238PEBA	C1-271P
P6EAA6G-208L	2-1/2	AE100G5LL	C105-238PEBA	56 C1-271P
P6E6H-209L	3	AE100HLL	C105-238PLA	56 C1-271P
P6R6H-209L	3	355034S	C105-238PLA	C1-271P
1 PHASE 60 HZ PUMPS - 2-Speed				
P6RA6YF-206L	1-1/2 (Hi Speed), 1/4 (Low Speed)	A100FLL-Y	C105-238PBA ³	C1-271P1
P6RA6YG-207L	2 (Hi Speed), 1/3 (Low Speed)	AE100GLL-Y	17307-0116 ⁵ , C105-238PDBA	C1-271P

MAX-E-PRO® SERIES PUMP (CONT'D)

REPLACEMENT PARTS



Model No.	HP	Motor No. (Item No. 1)	Impeller (Item No. 10)	Diffuser (Item No. 11)
3 PHASE 60 HZ PUMPS - 208-230/460				
345076	1	354806S	C105-238PBA ⁴	C1-271P1
345077	1-1/2	354808S	C105-238PDBA ⁴	C1-271P
345078	2	354810S	C105-238PEBA ⁴	C1-271P
345079	3	354812S	C105-238PLA ⁴	C1-271P
3 PHASE 60 HZ PUMPS - 200/400v 1 Speed				
P6R62D3-186	3/4	AP100DH2	C105-238A ⁴	C1-271P1
P6R62E3-187	1	AP100EH2	C105-238PBA ³	C1-271P1
P6R62F3-188	1-1/2	AP100FH2	C105-238PDBA ⁴	C1-271P
P6R62G3-189	2	AP100GH2	C105-238PEBA ⁴	C1-271P

Model No.	HP	Motor No. (Item No. 1)	Impeller (Item No. 10)	Diffuser (Item No. 11)	Motor Base
575 Volts, 3-Phase Models:					
P6EA6D36-204	3/4	16502-0024S	C105-238PX ⁴	C1-271P1	C104-79P
P6EA6E36-205	1	16503-0024S	C105-238P ⁴	C1-271P1	C104-79P
P6EA6F36-206	1-1/2	62001-1019S	C105-238PBA ⁴	C1-271P1	C104-79P
P6EA6G36-207	2	62001-1020S	C105-238PDBA ⁴	C1-271P	C104-79P
P6E6H36-209	3	62001-1021S	C105-238PLA ⁴	C1-271P	C104-79P

Item	Part No.	Description
MAX-E-PRO SERIES REPLACEMENT PARTS		
1	Chart	Motor
2	U30-692SS	#10-32 x 1/2 in. Screw
2A	U43-22SS	Lock Washer
3	U17-568	Bonding Lug
4	17351-0009	Water Slinger
5	C203-194P	Seal Plate Kit (Incl. Part Nos. 6, 7)
6	U9-228A	O-Ring (Round)
6	375099Z	O-Ring (Square)
7	17351-0101S	Shaft Seal, EDPM black
8	WC36-22	Clamp Knob
9	C19-37A	Clamp
10	Chart	Impeller
10A	35505-1426	Impeller Screw O-Ring
10B	Chart	Impeller Screw
11	Chart	Diffuser
12	U9-374	Diffuser O-Ring
12	357098Z	Diffuser O-Ring (Blue Coating)
13	U43-21SS	#8 Lock Washer
14	U30-542SS	Screw (w/ C1-271P1 Diffuser)

Item	Part No.	Description
15	17307-0110S	Tank Body Assembly ²
16	17307-0111S	Trap Cover Assembly ¹
17	35505-1440	Trap O-Ring
18	C8-58P	Basket
19	U178-920P	1/4 in. NPT Drain Plug
19	U9-359	Drain Plug O-Ring
20	U43-41SS	Base Washer
21	U30-918SS	Base Screw
22	C4-78P	Base w/ Motor Pad
22	C104-79P	Base w/ Motor Pad (3 HP only)
23	C35-43	Motor Pad
23	C35-44	Motor Pad (3 HP only)
24	U30-74SS	3/8-16 x 1 in. Hex Hd. Screw

¹ Includes Trap Cover, Trap Ring and Trap Cover O-Ring.

² Includes Trap Body, Basket, Drain Plugs, and Trap Cover Assembly.

³ Uses Key No. 10B Impeller Screw No. 37337-6080.

⁴ Uses Key No. 10B Impeller Screw No. 37337-6081.