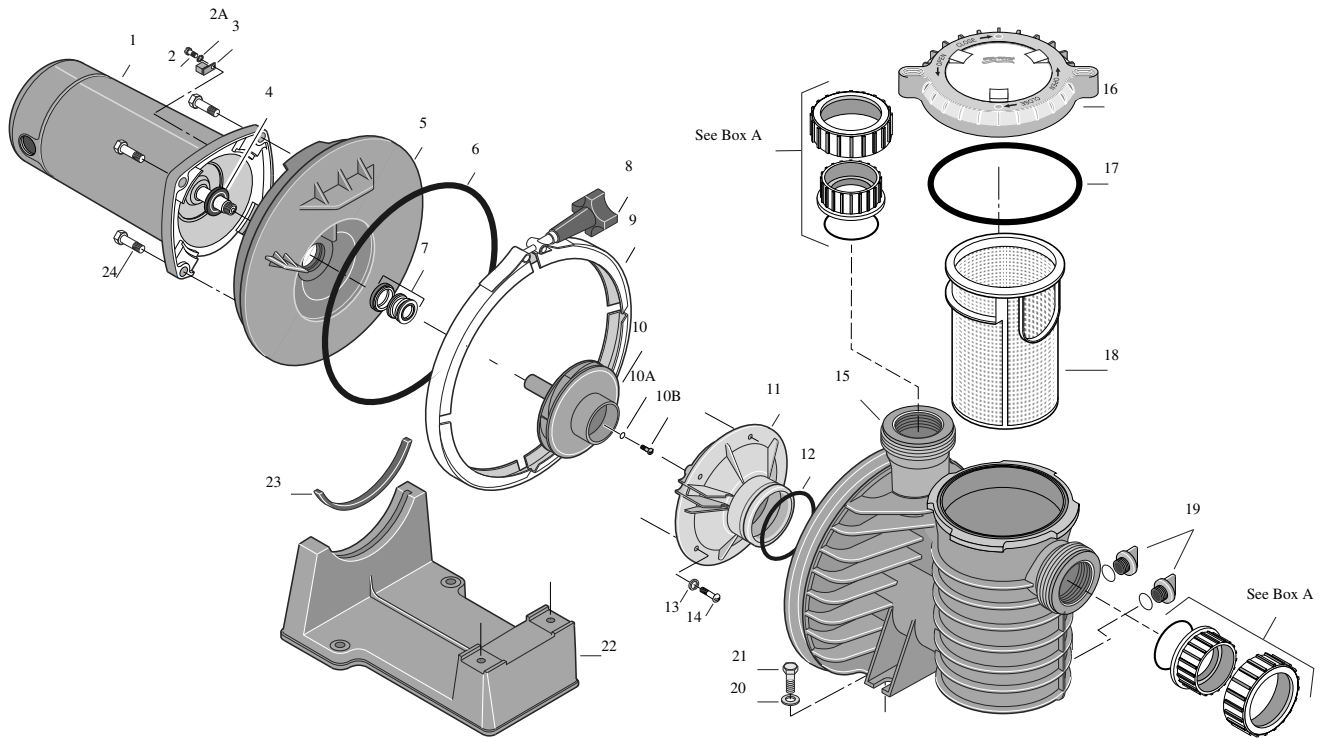


5P6R SERIES
50 Hz. MAX-E-PRO POOL PUMP
3/4 and 1 HP



REPAIR PARTS LIST

4285 1102

Key No.	Part Description	Qty.	Part No.
1	Motor	1	Chart at Right
2	#10-32 x 1/2" Screw	1	U30-692SS
3	Bonding Lug	1	U17-568
4	Water Slinger	1	17351-0009
5	Seal Plate	1	C103-194P
6	O-Ring	1	U9-228A
7	Shaft Seal	1	37400-0027S
8	Clamp	1	C19-37A
9	Clamp Knob	1	WC36-22
10	Impeller	1	Chart at Right
10A	Impeller O-Ring*	1	35505-1426
10B	Impeller Screw*	1	37337-6081
11	Diffuser	1	C1-271P
12	Diffuser O-Ring	1	U9-374
13	#8 Lock Washer	5	U43-21SS
14	#8 - 32 x 1-1/8" Screw	5	U30-922SS
15	Tank Body (BSP Threads)	1	17307-0110W
16	Trap Cover**	1	17307-0111S
17	Trap O-Ring	1	35505-1440
18	Basket	1	C8-58P
19	1/4" NPT Drain Plug	2	U178-920P
20	Base Washer	2	U43-41SS
21	Base Screw	2	U30-918SS
22	Base w/Motor Pad	1	C104-78P
23	Motor Pad	1	C35-43
24	3/8-16 x 1" Hex Head Screw	4	U30-74SS
	• Motor Nameplate	1	32155-7117
	• Tag, "CAUTION"		
61002-0002			
	• Tag, "CAUTION, WARNING (Bonding)"		C63-12

Box A

For quick disconnect pipe connections, purchase separately:
Pkg. 188 2" Slip 1/2 Union Kit or
Pkg. 189 2" NPT 1/2 Union Kit.

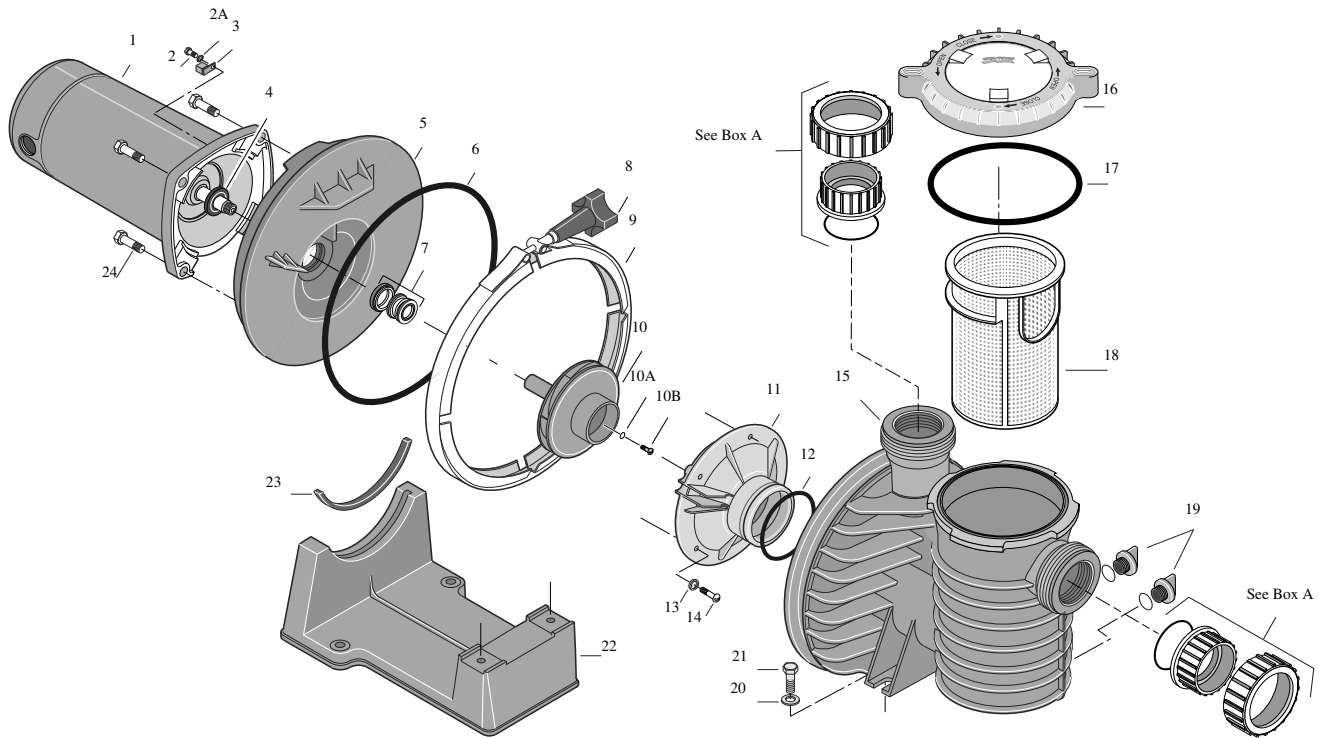
Includes 2 each:
U11-200P Union Collar
U9-362 O-Ring
U11-196P 2" Slip adapter or
U11-199P 2" NPT adapter.

Parts are common to all models listed except as noted;
Key Nos. 1, Motor; and 10, Impeller are listed below.

Model No.	HP	Motor No. (Key No. 1)	Impeller No. (Key No. 10)
115/230 Volt - 1 Phase			
5P6R6D-209	3/4	J218-574A	C105-238PF
5P6R6E-210	1	J218-575A	C105-238PG
220-240/380-415 Volt - 3 Phase			
5P6R6D3-209	3/4	J218-815A	C105-238PFA

• Not illustrated. * Three phase only.
** Includes Trap Cover, Trap Ring and Trap Cover O-Ring.

5P6R SERIES
50 Hz. MAX-E-PRO POOL PUMP
1-1/2 and 2 HP



REPAIR PARTS LIST

Key No.	Part Description	Qty.	Part No.
1	Motor	1	Chart at Right
2	#10-32 x 1/2" Screw	1	U30-692SS
3	Bonding Lug	1	U17-568
4	Water Slinger	1	17351-0009
5	Seal Plate	1	C103-194P
6	O-Ring	1	U9-228A
7	Shaft Seal	1	37400-0027S
8	Clamp	1	C19-37A
9	Clamp Knob	1	WC36-22
10	Impeller	1	Chart at Right
10A	Impeller O-Ring*	1	35505-1426
10B	Impeller Screw*	1	37337-6080
11	Diffuser	1	C1-271P
12	Diffuser O-Ring	1	U9-374
13	#8 Lock Washer	5	U43-21SS
14	#8 - 32 x 7/8" Screw	5	U30-542SS
15	Tank Body (BSP Threads)	1	17307-0110W
16	Trap Cover**	1	17307-0111S
17	Trap O-Ring	1	35505-1440
18	Basket	1	C8-58P
19	1/4" NPT Drain Plug	2	U178-920P
20	Base Washer	2	U43-41SS
21	Base Screw	2	U30-918SS
22	Base w/Motor Pad	1	C104-78P
23	Motor Pad	1	C35-43
24	3/8-16 x 1" Hex Head Screw	4	U30-74SS
•	Motor Nameplate	1	32155-7117
•	Tag, "CAUTION"		
61002-0002			
•	Tag, "CAUTION, WARNING (Bonding)"		C63-12

Box A

For quick disconnect pipe connections, purchase separately:
Pkg. 188 2" Slip 1/2 Union Kit or
Pkg. 189 2" NPT 1/2 Union Kit.

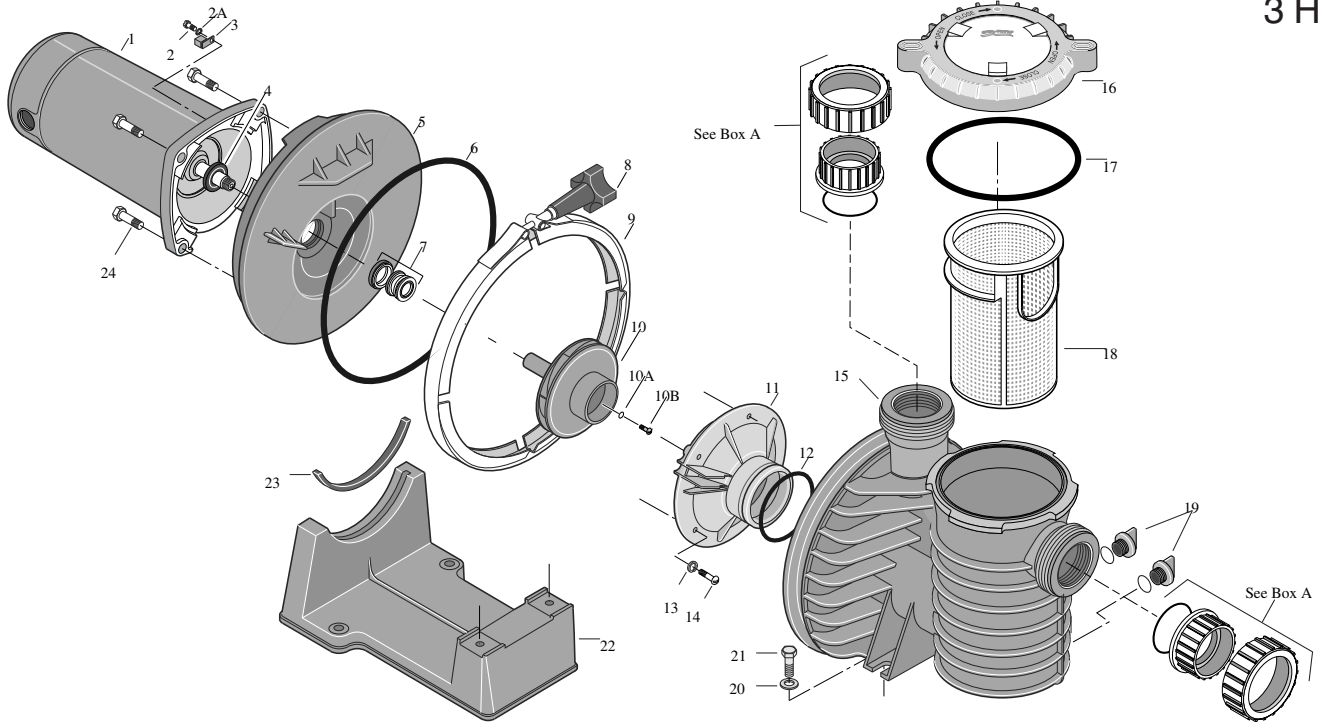
Includes 2 each:
U11-200P Union Collar
U9-362 O-Ring
U11-196P 2" Slip adapter or
U11-199P 2" NPT adapter.

Parts are common to all models listed except as noted;
Key Nos. 1, Motor; and 10, Impeller are listed below.

Model No.	HP	Motor No. (Key No. 1)	Impeller No. (Key No. 10)
115/230 Volt - 1 Phase			
5P6R6F-211	1-1/2	J218-864A	C105-238PEC
230 Volt - 1 Phase			
5P6R6G-212	2	62003-2075	C105-238PLBA
220-240/380-415 Volt - 3 Phase			
5P6R6F3-211	1-1/2	J218-817A	C105-238PECA

• Not illustrated. * Not used by Model 5P6R6F-211.
** Includes Trap Cover, Trap Ring and Trap Cover O-Ring.

Model 5P6R6H-213 and 5P6R6H3-213
MAX-E-PRO POOL PUMP
3 HP



4285 1102

REPAIR PARTS LIST

Key No.	Part Description	Qty.	Part No.
1	Motor 230V/50H/1 Ph (5P4R6H)	1	62003-2077
1	Motor 220-240/380-415V/50H		
3 Ph (5P4R6H3)		1	62003-2078
2	#10-32 x 1/2" Screw	1	U30-692SS
3	Bonding Lug	1	U17-568
4	Water Slinger	1	17351-0009
5	Seal Plate	1	C103-194P
6	"O" Ring	1	U9-228A
7	Shaft Seal	1	37400-0027S
8	Clamp	1	C19-37A
9	Clamp Knob	1	WC36-22
10	Impeller	1	C105-238PHA
10A	Impeller O-Ring	1	35505-1426
10B	Impeller Screw	1	37337-6081
11	Diffuser	1	C1-271P
12	Diffuser O-Ring	1	U9-374
13	#8 Lock Washer	5	U43-21SS
14	#8 - 32 x 1-1/8" Screw	5	U30-922SS
15	Tank Body (BSP Threads)	1	17307-0110W
16	Trap Cover**	1	17407-0111S
17	Trap O-Ring	1	35505-1440
18	Basket	1	C8-58P
19	1/4" NPT Drain Plug	2	U178-920P
20	Base Washer	2	U43-41SS
21	Base Screw	2	U30-918SS
22	Base w/Motor Pad	1	C104-79P
23	Motor Pad	1	C35-43
24	3/8-16 x 1" Socket Head Screw	4	U30-99SS
•	Motor Nameplate	1	32155-7117
•	Tag, "CAUTION"		

Box A

For quick disconnect pipe connections, purchase separately:
Pkg. 188 2" Slip 1/2 Union Kit or
Pkg. 189 2" NPT 1/2 Union Kit.

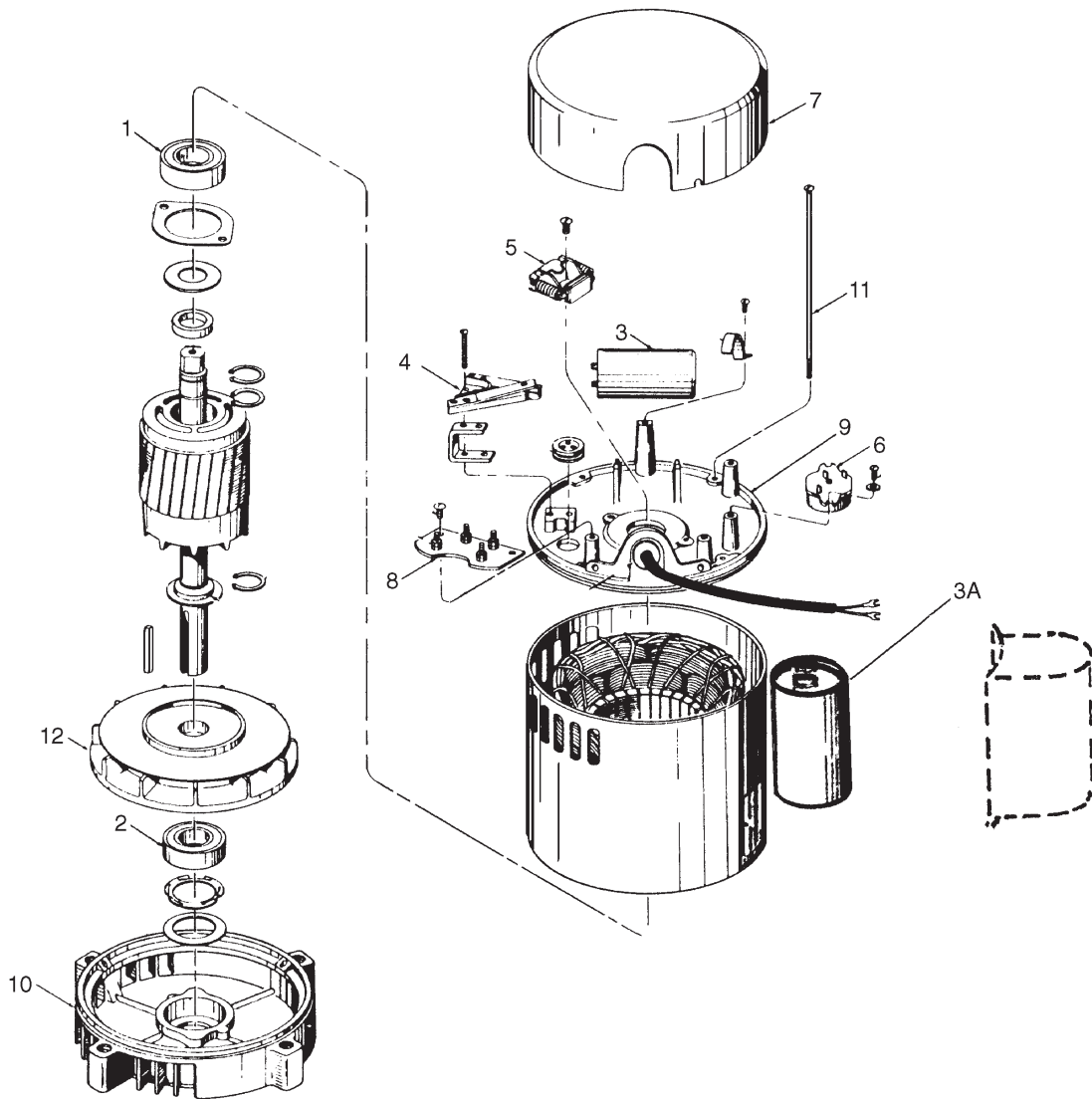
Includes 2 each:
U11-200P Union Collar
U9-362 O-Ring
U11-196P 2" Slip adapter or
U11-199P 2" NPT adapter.

61002-0002

• Not illustrated.

** Includes Trap Cover, Trap Ring and Trap Cover O-Ring.

TYPICAL A.O. SMITH MOTOR EXPLODED VIEW



Item No.	Description	115/230V 50Hz 1ph			230V 50Hz 1ph		220-240/380-415V 50 Hz 3ph				
		J218-574A 3/4 HP	J218-575A 1 HP	J218-864A 1-1/2 HP	62001-1004 2 HP	62001-1008 3 HP	J218-815A 3/4 HP	J218-816A 1 HP	J218-817A 1-1/2 HP	62001-1005 2 HP	62001-1009 3 HP
1	Bearing Switch End	U18-1161	U18-1161	U18-1161	U18-1161	U18-1161	U18-1161	U18-1161	U18-1161	U18-1161	U18-1161
2	Bearing Shaft End	U18-1161	U18-1161	U18-271	U18-271	U18-271	U18-1161	U18-1161	U18-1161	U18-271	U18-271
3	Start Capacitor	U18-526	U18-526	U18-525	U18-1399	U18-1512	-	-	-	-	-
3A	Run Capacitor	-	-	-	U18-1403	U18-1388	-	-	-	-	-
4	Contactor	U18-1098	U18-1098	U18-1098	U18-1529	U18-1529	-	-	-	-	-
5	Governor	U18-253	U18-253	U18-253	U18-253	U18-253	-	-	-	-	-
6	Overload Protector	U18-983	U18-1137	U18-1139	599-13096	599-13698	-	-	-	-	-
7	Canopy	U18-1235	U18-1235	U18-1235	U18-1235	U18-1288	U18-1235	U18-1235	U18-1235	U18-1235	U18-1288
8	Terminal Board	U18-1180	U18-1180	U18-1180	U18-1457	U18-1457	-	-	-	-	-
9	End Bell Switch End	U18-1289	U18-1289	U18-1289	U18-1282	U18-1293	U18-1289	U18-1289	U18-1289	U18-1289	U18-1293
10	End Bell Shaft End	U18-1290	U18-1290	U18-1419	U18-1419	U18-1551	U18-1290	U18-1290	U18-1290	U18-1419	U18-1551
11*	Thru-bolts	U18-1345	U18-1345	U18-1345	599-13095	599-13533	U18-1345	U18-1345	U18-1345	599-13095	599-13533
12	Fan	U18-1436	U18-1436	U18-1436	U18-1404	599-13170	U18-1436	U18-1436	U18-1436	U18-1404	599-13170

* Service Kit - 48 assorted bolts per kit. • Not illustrated.