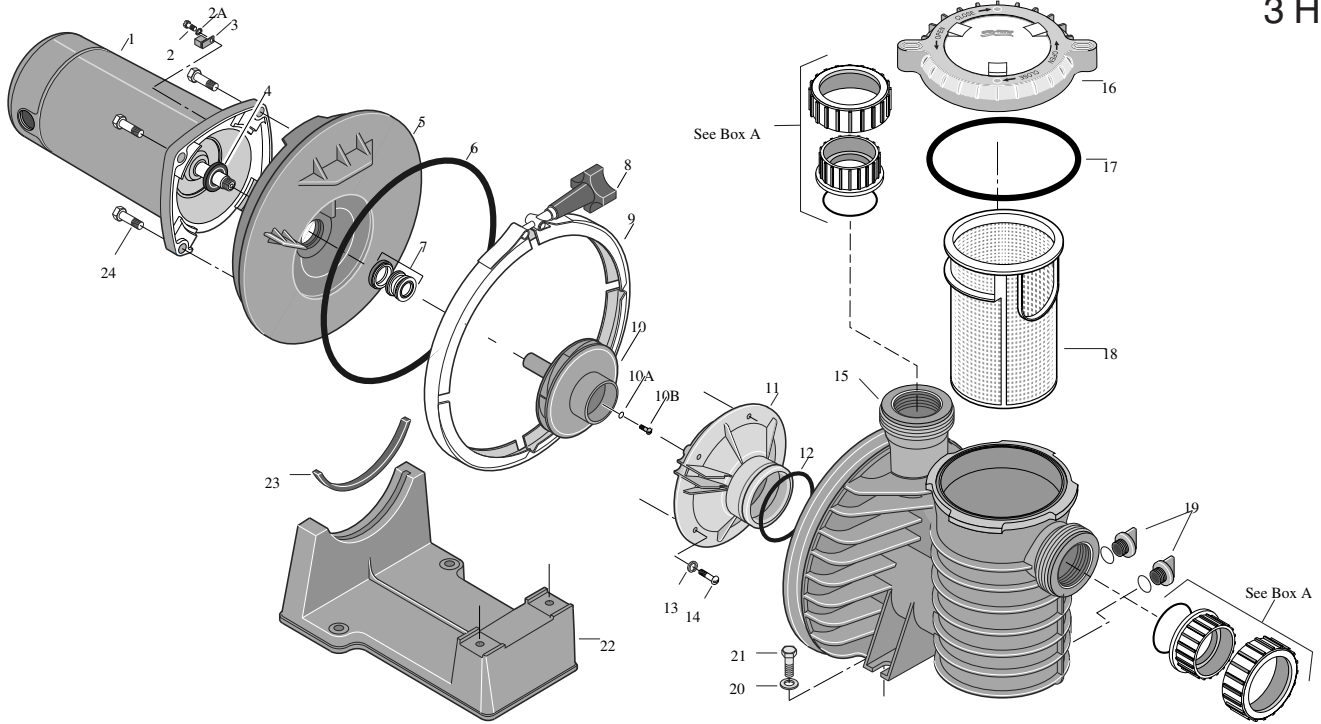


Model 5P6R6H-213 and 5P6R6H3-213  
MAX-E-PRO POOL PUMP  
3 HP



REPAIR PARTS LIST

4285 1102

Key No.	Part Description	Qty.	Part No.
1	Motor 230V/50H/1 Ph (5P4R6H)	1	62003-2077
1	Motor 220-240/380-415V/50H		
3 Ph (5P4R6H3)		1	62003-2078
2	#10-32 x 1/2" Screw	1	U30-692SS
3	Bonding Lug	1	U17-568
4	Water Slinger	1	17351-0009
5	Seal Plate	1	C103-194P
6	"O" Ring	1	U9-228A
7	Shaft Seal	1	37400-0027S
8	Clamp	1	C19-37A
9	Clamp Knob	1	WC36-22
10	Impeller	1	C105-238PHA
10A	Impeller O-Ring	1	35505-1426
10B	Impeller Screw	1	37337-6081
11	Diffuser	1	C1-271P
12	Diffuser O-Ring	1	U9-374
13	#8 Lock Washer	5	U43-21SS
14	#8 - 32 x 1-1/8" Screw	5	U30-922SS
15	Tank Body (BSP Threads)	1	17307-0110W
16	Trap Cover**	1	17407-0111S
17	Trap O-Ring	1	35505-1440
18	Basket	1	C8-58P
19	1/4" NPT Drain Plug	2	U178-920P
20	Base Washer	2	U43-41SS
21	Base Screw	2	U30-918SS
22	Base w/Motor Pad	1	C104-79P
23	Motor Pad	1	C35-43
24	3/8-16 x 1" Socket Head Screw	4	U30-99SS
•	Motor Nameplate	1	32155-7117
•	Tag, "CAUTION"		

**Box A**

For quick disconnect pipe connections, purchase separately:  
Pkg. 188 2" Slip 1/2 Union Kit or  
Pkg. 189 2" NPT 1/2 Union Kit.

Includes 2 each:  
U11-200P Union Collar  
U9-362 O-Ring  
U11-196P 2" Slip adapter or  
U11-199P 2" NPT adapter.

61002-0002

• Not illustrated.

\*\* Includes Trap Cover, Trap Ring and Trap Cover O-Ring.