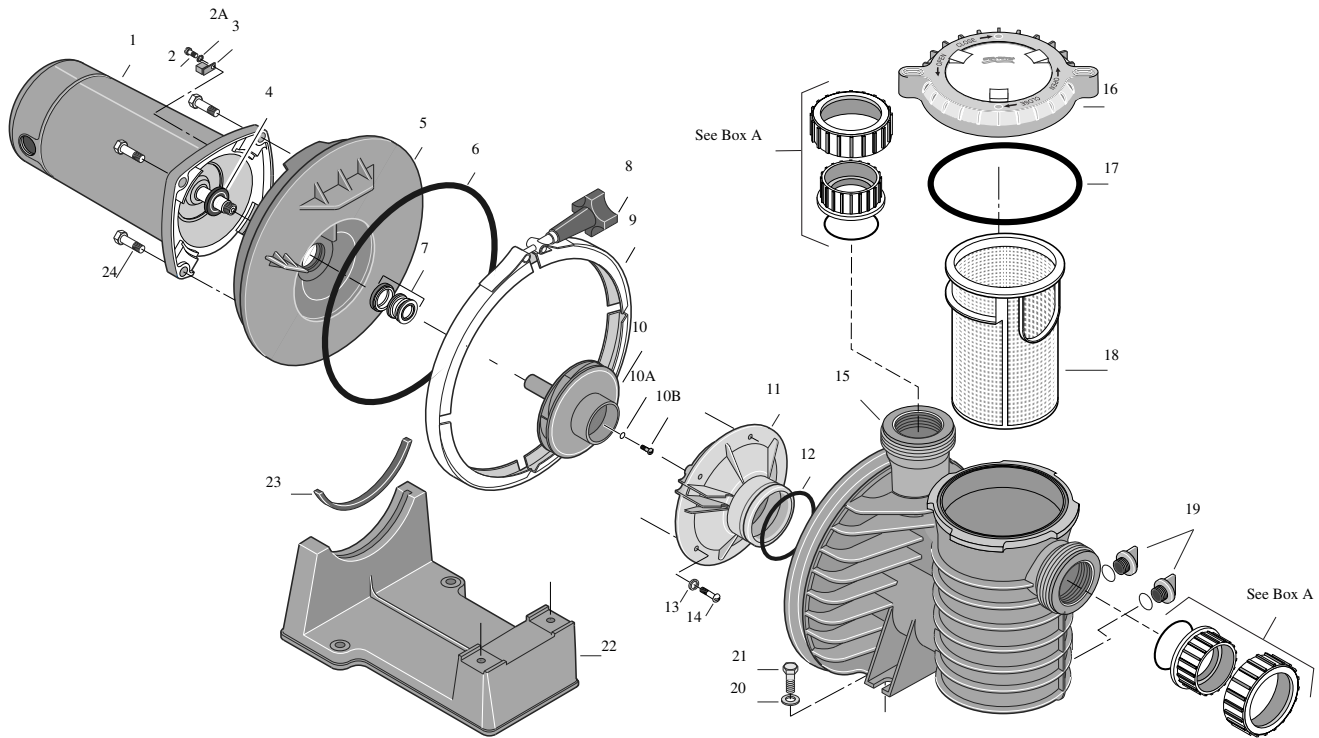


5P6R SERIES
50 Hz. MAX-E-PRO POOL PUMP
3/4 and 1 HP



REPAIR PARTS LIST

4285 1102

Key No.	Part Description	Qty.	Part No.
1	Motor	1	Chart at Right
2	#10-32 x 1/2" Screw	1	U30-692SS
3	Bonding Lug	1	U17-568
4	Water Slinger	1	17351-0009
5	Seal Plate	1	C103-194P
6	O-Ring	1	U9-228A
7	Shaft Seal	1	37400-0027S
8	Clamp	1	C19-37A
9	Clamp Knob	1	WC36-22
10	Impeller	1	Chart at Right
10A	Impeller O-Ring*	1	35505-1426
10B	Impeller Screw*	1	37337-6081
11	Diffuser	1	C1-271P
12	Diffuser O-Ring	1	U9-374
13	#8 Lock Washer	5	U43-21SS
14	#8 - 32 x 1-1/8" Screw	5	U30-922SS
15	Tank Body (BSP Threads)	1	17307-0110W
16	Trap Cover**	1	17307-0111S
17	Trap O-Ring	1	35505-1440
18	Basket	1	C8-58P
19	1/4" NPT Drain Plug	2	U178-920P
20	Base Washer	2	U43-41SS
21	Base Screw	2	U30-918SS
22	Base w/Motor Pad	1	C104-78P
23	Motor Pad	1	C35-43
24	3/8-16 x 1" Hex Head Screw	4	U30-74SS
	• Motor Nameplate	1	32155-7117
	• Tag, "CAUTION"		
61002-0002			
	• Tag, "CAUTION, WARNING (Bonding)"		C63-12

Box A

For quick disconnect pipe connections, purchase separately:
Pkg. 188 2" Slip 1/2 Union Kit or
Pkg. 189 2" NPT 1/2 Union Kit.

Includes 2 each:
U11-200P Union Collar
U9-362 O-Ring
U11-196P 2" Slip adapter or
U11-199P 2" NPT adapter.

Parts are common to all models listed except as noted;
Key Nos. 1, Motor; and 10, Impeller are listed below.

Model No.	HP	Motor No. (Key No. 1)	Impeller No. (Key No. 10)
115/230 Volt - 1 Phase			
5P6R6D-209	3/4	J218-574A	C105-238PF
5P6R6E-210	1	J218-575A	C105-238PG
220-240/380-415 Volt - 3 Phase			
5P6R6D3-209	3/4	J218-815A	C105-238PFA

• Not illustrated. * Three phase only.
** Includes Trap Cover, Trap Ring and Trap Cover O-Ring.