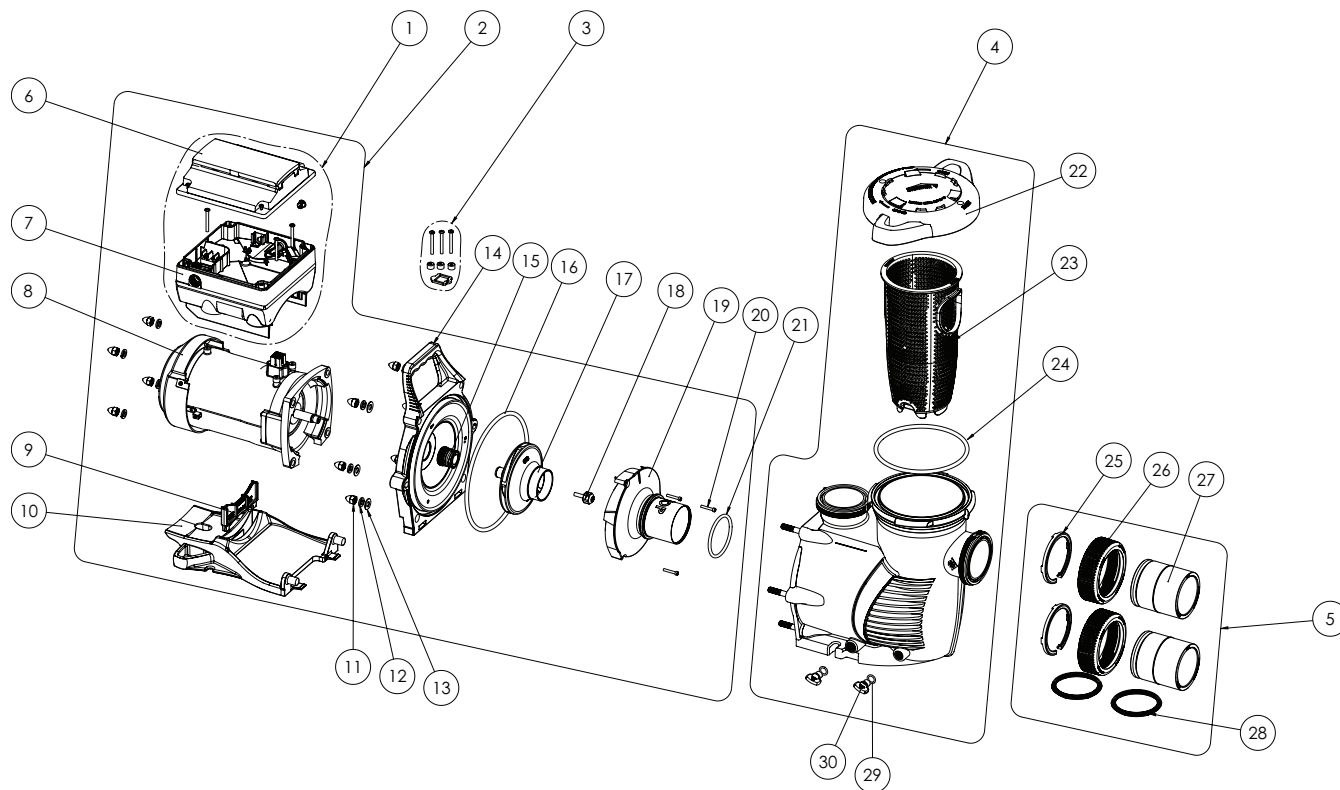


REPLACEMENT PARTS



IntelliFloXF® and IntelliProXF® Variable Speed Pump Replacement Parts

Item No.	Description	IntelliFloXF Part #	IntelliProXF Part #
1	Drive Kit*	356879Z	356893Z
2	Power End Kit**	400655Z	401655Z
3	Drive Hardware Kit***	355685	
4	Wet End Assembly	400000	401000
5	Union Kit w/o Tap	410020	
6	Keypad Assembly Kit	357527Z	358527Z
7	Drive	356878Z	356892Z
8	Motor	350305S	350306S
9	Motor Support Insert	070929	357160
10	Motor Base	400004Z	401004Z
11	Acorn Nut (Qty. 10)	071413	
12	Lock Washer (Qty. 10)	U43-12SS	
13	Flat Washer (Qty. 6)	072184	
14	Seal Plate	400002	401002
15	Mechanical Seal	17351-0101S	
16	Seal Plate O-Ring	351446	
17	Impeller	400015	
18	Impeller Set Screw	37337-6080	

Item No.	Description	IntelliFloXF Part #	IntelliProXF Part #
19	Diffuser	400010	
20	Diffuser Screws	353323	
21	Diffuser O-Ring	350336	
22	Lid/Locking Ring Assembly	400006	401006
23	Strainer Basket	400007Z	
24	Lid/Locking Ring O-Ring	35505-1440	
25	2.5" C-Clip Locking Ring (Qty. 2)	410001	
26	2.5" Union Nut (Qty. 2)	411000	
27	2.5" Union Adapter w/o Tap (Qty. 2)	410002	
28	2.5" Diamond Seal Kit (Qty. 2)	410016Z	
29	Drain Plug O-Ring (Qty. 2)	192115	
30	Drain Plug (Qty. 2)	071131	357161
-	Keypad Relocation Kit	356904Z	356905Z
-	Seal Plate Kit w/ Mechanical Seal	400031Z	400032Z
-	50 Ft. Communication Cable	350122	

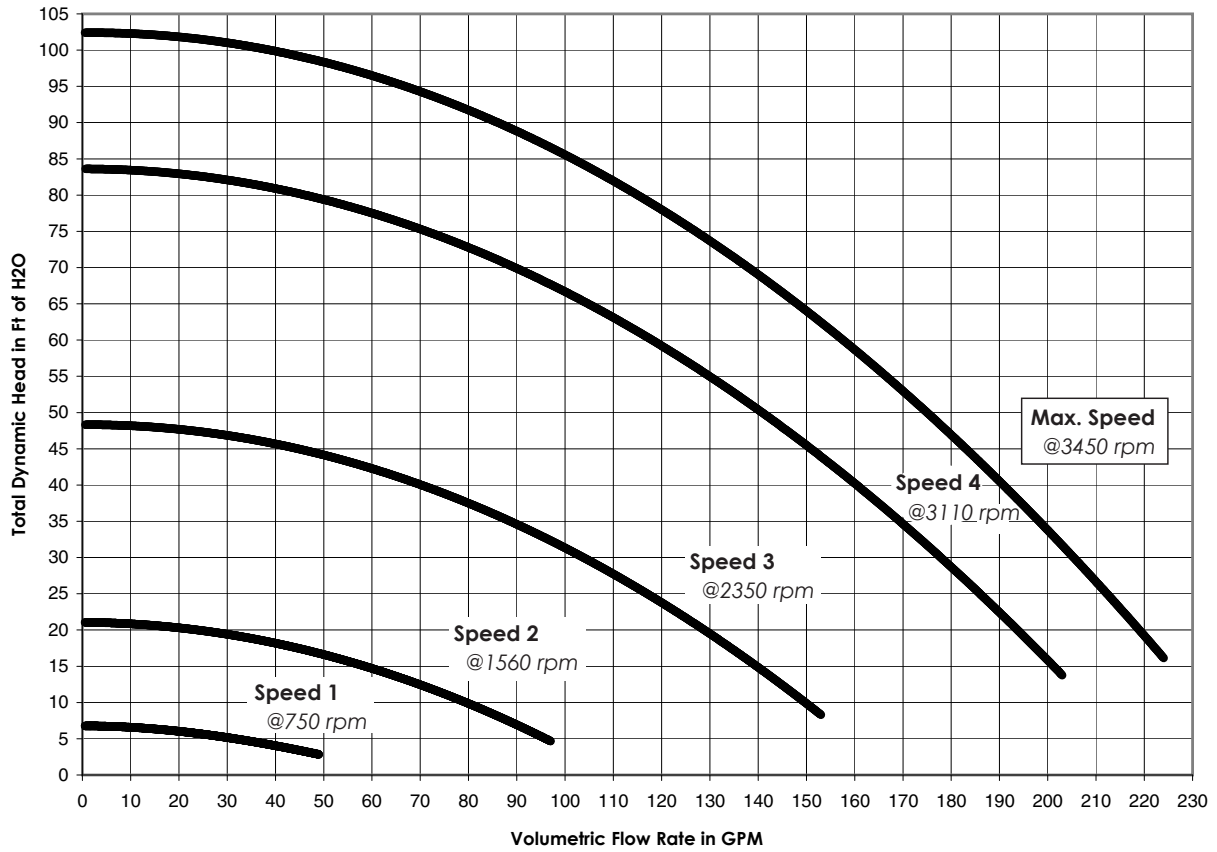
(-) Not Shown

*NOTE: Drive Kit includes drive, keypad and keypad cover.

**NOTE: Power End Kit includes drive kit, motor, seal plate kit, impeller and diffuser.

***NOTE: Drive Hardware Kit includes drive-to-motor screws, drive gasket and motor caps.

Pump Performance Curves



Pump Dimensions

