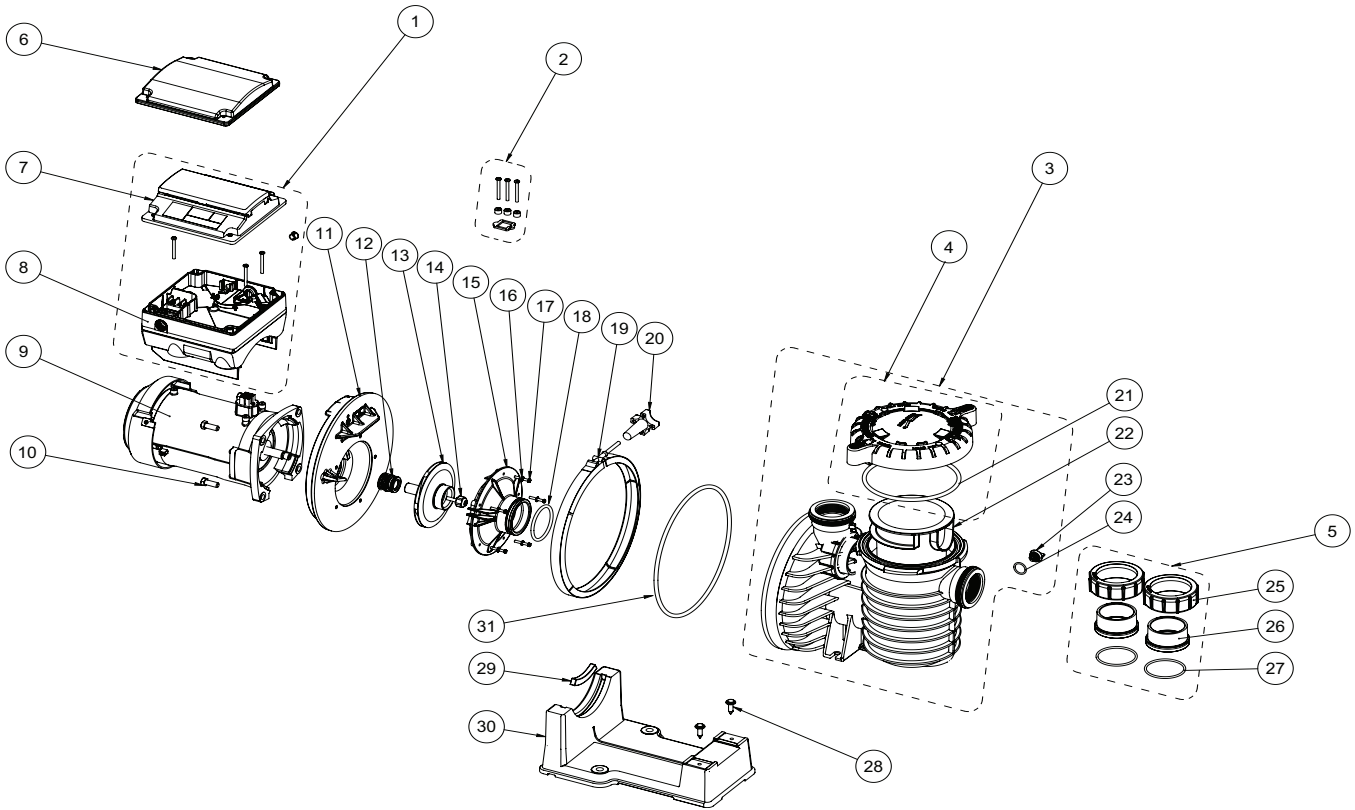


REPLACEMENT PARTS



IntelliPro® VSF Variable Speed and Flow Pump Replacement Parts

Item No.	Part No.	Description	Item No.	Part No.	Description
1	353141Z	DRIVE KIT W/ KEYPAD (Includes Item #2, 7 and 8)	17	U30-922SS	DIFFUSER SCREW
2	355685	DRIVE HARDWARE KIT (Includes Drive Screws, Drive Gasket and Screw Caps)	18	U9-374	DIFFUSER O-RING
3	17307-0110S	TANK BODY ASSEMBLY (Includes Trap Cover and Item #21-24)	19	C19-37a	V-CLAMP
4	17307-0111S	TRAP COVER ASSEMBLY (Includes Trap Cover and Item #21)	20	WC-36-22	CLAMP, KNOB
5	42001-0402	2" SLIP UNION HALF KIT (Includes Item #25-27)	21	35505-1440	TRAP O-RING, 6.90 O.D. 6.35 I.D.
6	356905Z	KEYPAD RELOCATION KIT (Includes Keypad Relocation Cable and Blank Drive Cover)	22	C8-58P	TRAP BASKET
7	358527Z	KEYPAD ASSEMBLY KIT	23	U78-920P	DRAIN PLUG (Qty. 2)
8	356657Z	DRIVE KIT	24	U9-359	DRAIN PLUG O-RING (Qty. 2)
9	350306S	MOTOR 3.2KW FERRITE BLK	25	U11-200PS	UNION COLLAR (Qty. 2)
10	U30-74SS	3/8-16 X 1" HEX HEAD SS (Qty. 4)	26	U11-196PS	2" SLIP ADAPTER (Qty. 2)
11	C103-194P	SEAL PLATE	27	U9-362	O-RING, #2-231 (Qty. 2)
12	17351-0101S	SHAFT SEAL, EPDM BLACK	28	U30-918	BASE SCREW, 5/16-14 X 1 IN LG HI-LO HEX (Qty. 2)
13	C105-238PLA	IMPELLER ASSEMBLY	29	C35-11	MOTOR PAD
14	37007-6080	IMPELLER SCREW	30	C4-78P	MOTOR BASE
15	C1-271P	DIFFUSER	31	U9-228A	TRAP COVER ASSEMBLY O-RING
16	U43-21SS	#8 EXT TOOTH WASHER (Qty. 5)	*	350122	50 FT. COMMUNICATION CABLE
			*	354045	POWER END INTELLIPRO VSF

Note: (*) Items not shown