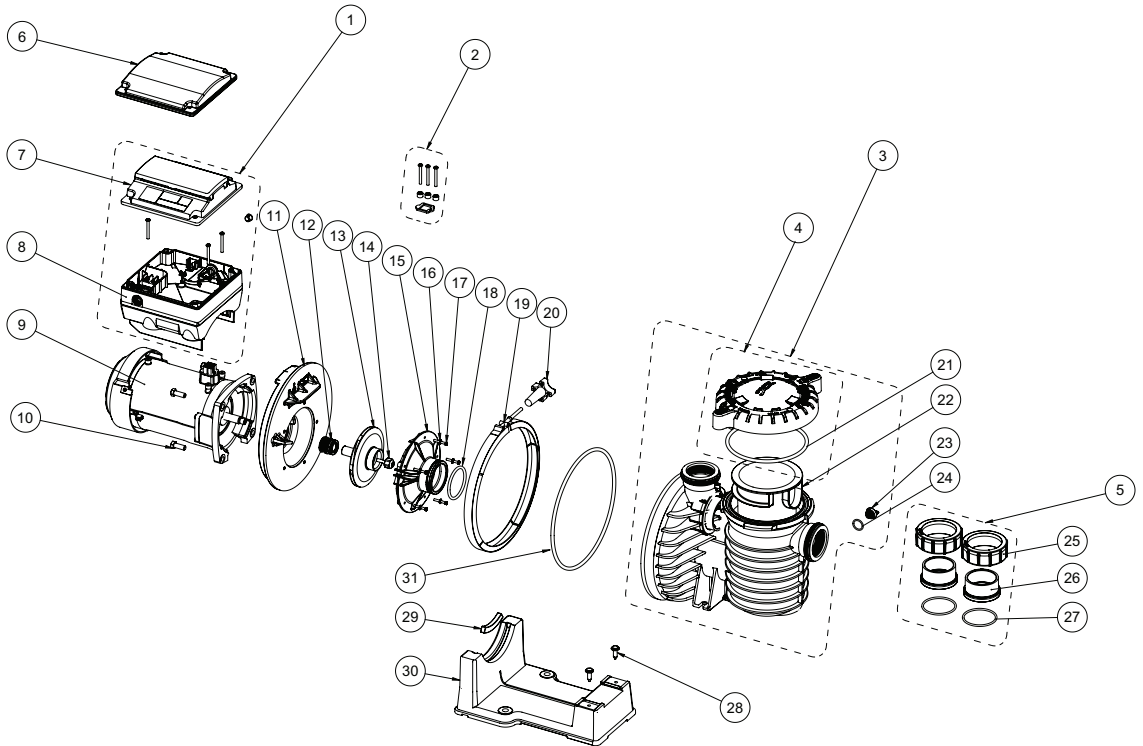


INTELLIPRO® 2 VST VARIABLE SPEED PUMP

REPLACEMENT PARTS



Item	Part No.	Description
INTELLIPRO 2 VST PUMP		
1	356893Z	Drive Kit w/Keypad (Includes Item #2, 7 and 8)
2	355685	Drive Kit Hardware Kit (Includes Drive Screws, Drive Gasket and Screw Caps)
3	17307-0110S	Tank Body Assembly (Includes Trap Cover and Items #21-24)
4	17307-0111S	Trap Cover Assembly (Includes Trap Cover and Item #21)
5	42001-0402	2" Slip Union Half Kit (Includes Items #25-27)
6	356905Z	Keypad Relocation Kit (Includes Keypad Relocation Cable and Blank Drive Cover)
7	358527Z	Keypad Assembly Kit
8	356892Z	Drive Kit
9	350306S	Motor 3.2 KW Ferrite Blk
10	U30-74SS	3/8-16 x 1" HEX Head SS (Qty. 4)
11	C103-194P	Seal Plate
12	17351-0101S	Shaft Seal, EPDM black
13	C105-238PLA	Impeller Assembly
14	37337-6080	Impeller Screw
15	C1-271P	Diffuser
16	U43-21SS	#8 Ext Tooth Washer (Qty. 5)

Item	Part No.	Description
17	U30-922SS	Diffuser Screw
18	U9-374	Diffuser O-Ring
18	357098Z	Diffuser O-Ring (Blue Coating)
19	C29-37A	V-Clamp
20	WC-36-22	Clamp, Knob
21	35505-1440	Trap O-Ring, 6.90 O.D. 6.35 I.D.
22	C8-58P	Trap Basket
23	U78-920P	Drain Plug (Qty. 2)
24	U9-359	Drain Plug O-Ring (Qty. 2)
25	U11-200PS	Union Collar (Qty. 2)
26	U11-196PS	2" Slip Adapter (Qty. 2)
27	U9-362	O-Ring #2-231 (Qty. 2)
28	U30-981	Base Screw, 5/16-14 x 1 in. Lg. Hi-Lo Hex (Qty. 2)
29	C35-11	Motor Pad
30	C4-78P	Motor Base
31	U9-228A	Seal Plate O-Ring (Round)
31	375099Z	Seal Plate O-Ring (Square)
NOT SHOWN		
	350122	50 Ft. Communication Cable
	354045	Power End - IntelliPro 2 VST
	352501	Motor Fan Kit