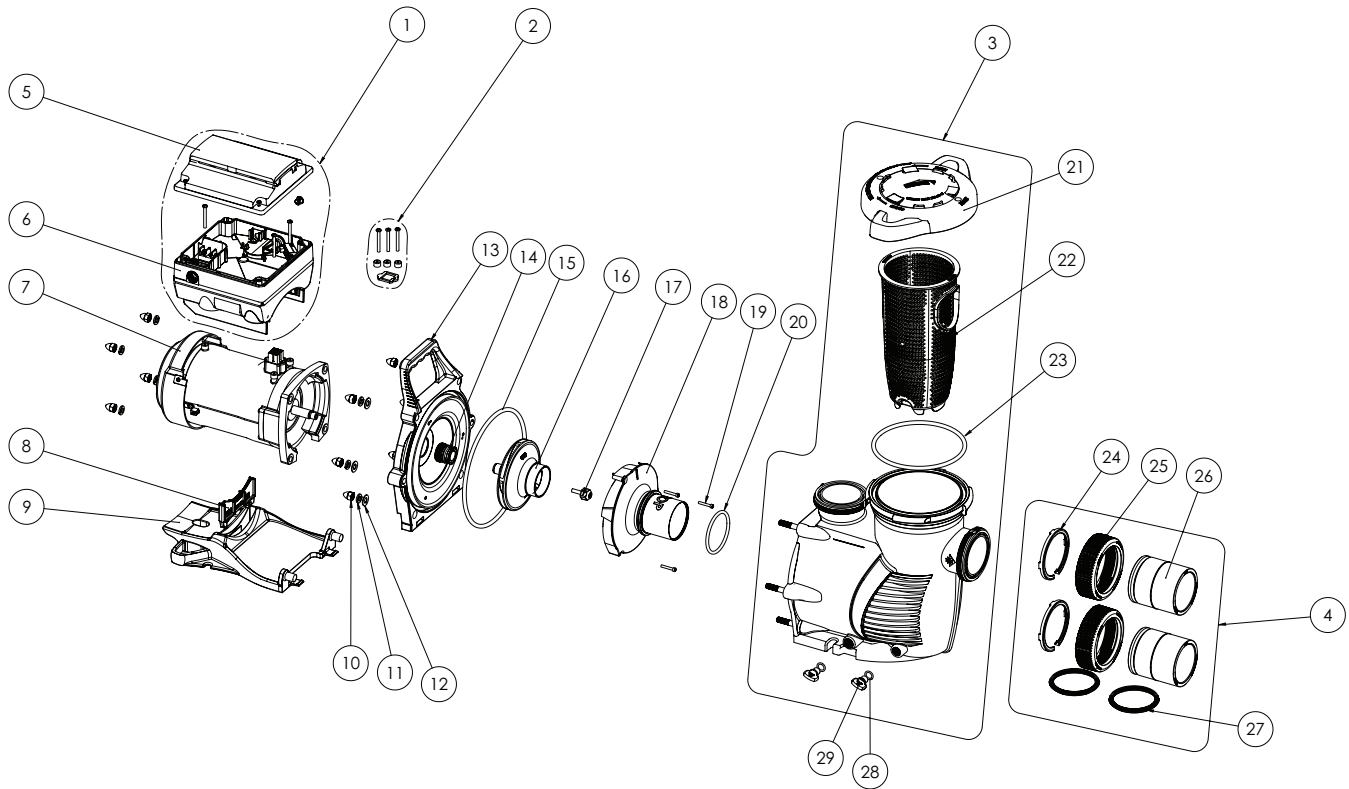


REPLACEMENT PARTS



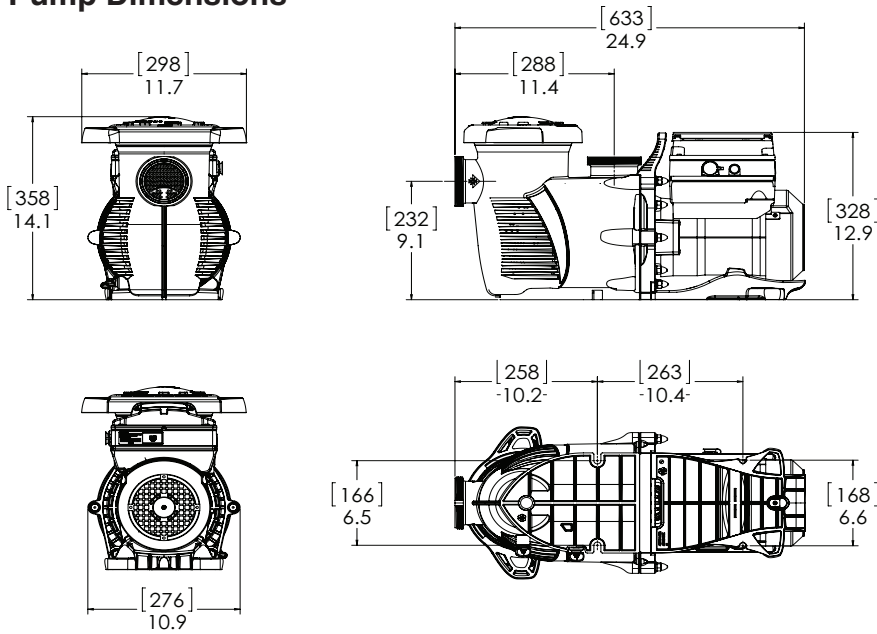
IntelliFloXF® (Almond) and IntelliProXF® (Black) VSF Variable Speed and Flow Pump Replacement Parts

Item No.	Description	IntelliFloXF Part #	IntelliProXF Part #
1	Drive Kit	357521Z	352032Z
2	Drive Hardware Kit	355685	
3	Wet End Assembly	400000	401000
4	Union Kit w/o Tap	410020	
5	Keypad Assembly Kit	357527Z	358527Z
6	Drive	356896Z	356898Z
7	Motor	350305S	350306S
8	Motor Support Insert	070929	357160
9	Motor Base	400004Z	401004Z
10	Acorn Nut (Qty. 10)	071413	
11	Lock Washer (Qty. 10)	U43-12SS	
12	Flat Washer (Qty. 6)	072184	
13	Seal Plate	400002	401002
14	Mechanical Seal	17351-0101S	
15	Seal Plate O-Ring	351446	
16	Impeller	400015	
17	Impeller Set Screw	37337-6080	

Item No.	Description	IntelliFloXF Part #	IntelliProXF Part #
18	Diffuser	400010	
19	Diffuser Screws	353323	
20	Diffuser O-Ring	350336	
21	Lid/Locking Ring Assembly	400006	401006
22	Strainer Basket	400007Z	
23	Lid/Locking Ring O-Ring	35505-1440	
24	2.5" C-Clip Locking Ring (Qty. 2)	410001	
25	2.5" Union Nut (Qty. 2)	411000	
26	2.5" Union Adapter w/o Tap (Qty. 2)	410002	
27	2.5" Diamond Seal Kit (Qty. 2)	410016Z	
28	Drain Plug O-Ring (Qty. 2)	192115	
29	Drain Plug (Qty. 2)	071131	357161
-	Keypad Relocation Kit	356904Z	356905Z
-	Seal Plate Kit w/ Mechanical Seal	400031Z	400032Z
-	50 Ft. Communication Cable	350122	

(-) Not Shown

Pump Dimensions



Electrical Specifications

Circuit Protection: Two-pole 20 AMP device at the Electrical Panel.

Input: 230 VAC, 50/60 Hz, 3200 Watts Maximum, 1 phase

Pump Performance Curves

