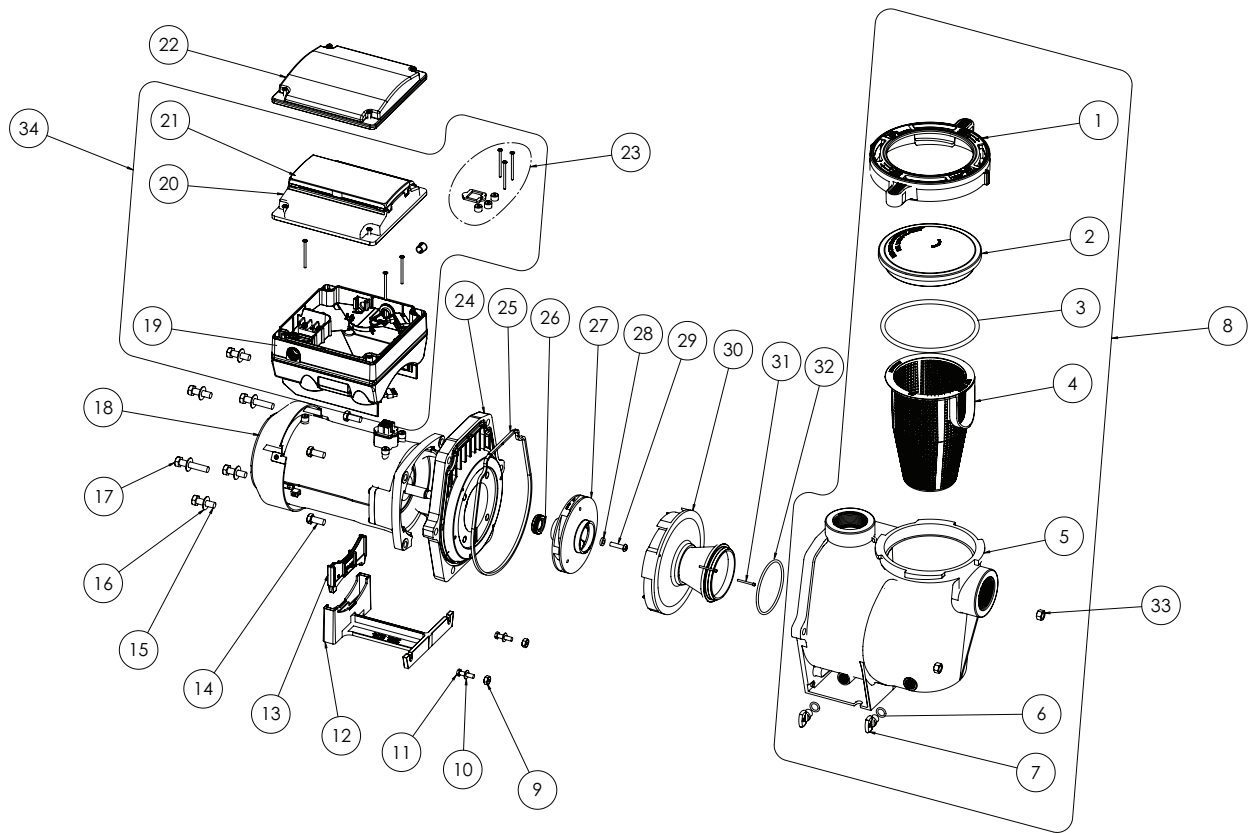


# INTELLIFLO® 2 VST VARIABLE SPEED PUMP

## REPLACEMENT PARTS



Item	Part No.	Description
<b>INTELLIFLO 2 VST PUMP</b>		
1	357199	Clamp, Cam and Ramp
2	357151	See-through Lid
3	350013	Lid O-Ring
4	070387	Strainer Basket
5	350015	Volute WF
6	192115	O-Ring 112 for Drain Plug (Qty 2)
7	071131	Drain Plug WF (Qty 2)
8	357243	Volute Kit (Contains items #1-7)
9	071406	Nut 1/4-20 Hex SS (Qty 2)
10	072186	Washer, Flat 1/4" ID x 5/8" OD (Qty 2)
11	071657	Screw 1/4-20 x 1" Hex Cap SS (Qty 2)
12	070927	Foot WF
13	070929	Foot Insert WFE Pump Motor Support
14	070429	Bolt, Hex Head 3/8-16 x 1.25" (Qty 4)
15	072184	Washer, Flat 3/8" ID x 7/8 OD (Qty 6)
16	070430	Bolt, Hex Head 3/8-16 x 1.25" (Qty 4)
17	070431	Bolt, Hex Head 3/8-16 x 2" (Qty 2)
18	350305S	Motor, 3.2 kW 10 Pole
19	356878Z	Drive, Variable Speed
20	357527Z	Keypad Assembly Kit (Contains item #21)
21	400100	Keypad Cover
22	356904Z	Keypad Relocation Kit (Contains Keypad Relocation cable and Blank Drive Cover)

Item	Part No.	Description
23	355685	Drive Hardware Kit (Contains Drive Screws, Drive Gasket and Screw Caps)
24	074564	Seal Plate
25	357100	Seal Plate Gasket
26	071734S	Mechanical Seal
27	073131	Impeller
28	075713	Rubber Washer, Impeller Set Screw
29	071652	Impeller Set Screw 1/4-20 LH Thread
30	072928	Diffuser
31	071660	Diffuser Set Screw 4-40 x 1-1/8 (Qty 2)
32	355227	Diffuser O-Ring
33	071404	Nut 3/8" Brass, Nickel Plated (Qty 2)
34	356879Z	Drive Kit (Incl. Items #19-23)
<b>NOT SHOWN</b>		
	350122	50 Ft. Communication Cable
	350202	Seal Plate Kit w/Mechanical Seal (Incl. Items #24, 25 and 26)
	354044	Power End - IntelliFlo 2 VST
	357603	Union Kit (Incl. 2 complete unions for 1 pump - Not included with pump)
	350199	Seal Plate Kit (Ozone/Salt resistant)
	352401	Motor Fan Kit