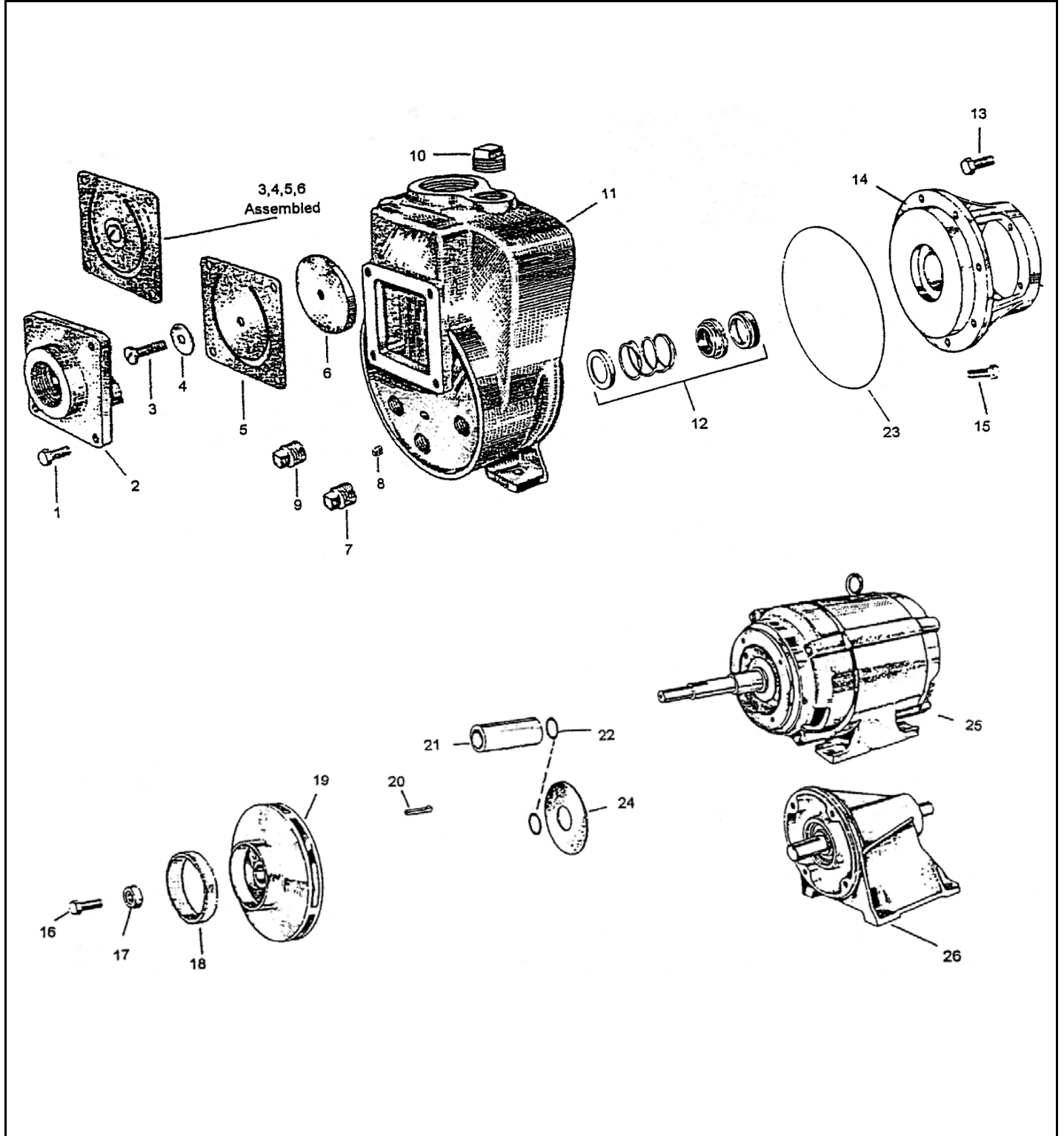


H SERIES PUMP KEY # PARTS DIAGRAM





**GRISWOLD H SERIES
SELF-PRIMING PUMP
REPAIR PARTS**

October 1, 2003

HH SERIES PUMP REPAIR PARTS

Key #	Description	Qty.	5HH	75HH	10HH	15HH	20HH	
1	Suction Flange Cap Screw	4	14-1292-25	14-1292-25	14-1292-25	14-1292-25	14-1292-25	
2	Suction Flange 4" NPT	1	16-0988-08	16-0988-08	16-0988-08	16-0988-08	16-0988-08	
3	Flapper Weight Screw	1	14-1403-13	14-1403-13	14-1403-13	14-1403-13	14-1403-13	
4	Flapper Weight Washer	1	14-0740-09	14-0740-09	14-0740-09	14-0740-09	14-0740-09	
5	Suction Gasket / Flapper	1	13-0375-02	13-0375-02	13-0375-02	13-0375-02	13-0375-02	
6	Flapper Weight	1	16-0989-07	16-0989-07	16-0989-07	16-0989-07	16-0989-07	
7	3/4" Drain Plug	1	31-0062-07	31-0062-07	31-0062-07	31-0062-07	31-0062-07	
8	1/4" Vacuum Plug	1	31-0059-11	31-0059-11	31-0059-11	31-0059-11	31-0059-11	
9	3/4" Accessories Plug	1	31-0062-07	31-0062-07	31-0062-07	31-0062-07	31-0062-07	
10	1" Fill Plug	1	31-0063-07	31-0063-07	31-0063-07	31-0063-07	31-0063-07	
11	Self Primer Case	1	H1Ni2	H1Ni2	H1Ni2	H1Ni2	H1Ni2	
12	Mechanical Seal Assembly	1	10-0369-03	10-0369-03	10-0369-03	10-0369-03	10-0370-02	
13	Motor Cap Screw - Single Ph	4	14-1294-23	14-1787-01	14-1787-01	N/A	N/A	
	Motor Cap Screw - Three Ph			14-1294-23		14-1787-01	14-3898-03	
14	Motor Bracket - Single Phase	1	02-1592-00	02-1569-09	02-1569-09	N/A	N/A	
	Motor Bracket - Three Phase			02-1592-00		02-1569-09	02-1375-03	
15	Bracket / Case Cap Screw	8	14-1292-25	14-1292-25	14-1292-25	14-1292-25	14-1292-25	
16	Impeller Bolt	1	14-1296-47	14-1296-47	14-1296-47	14-1296-47	14-0733-24	
17	Impeller Washer Adaptor	1	14-4122-09	14-4122-09	14-4122-09	14-4122-09	14-4123-08	
18	Impeller Wear Ring	1	N/A	N/A	N/A	N/A	N/A	
19	Impeller	1	05-1233-12	05-1229-12	05-1235-18	05-1236-12	05-1917-13	
20	Impeller Key	1	14-4124-07	14-4124-07	14-4124-07	14-4124-07	14-4125-06	
21	Shaft Sleeve	1	08-2872-11	08-2872-11	08-2872-11	08-2872-11	08-2873-10	
22	Sleeve O-Ring	2	47-0022-09	47-0022-09	47-0022-09	47-0022-09	13-0385-00	
23	Case / Bracket O-Ring	1	47-0171-08	47-0171-08	47-0171-08	47-0171-08	47-0171-08	
24	Deflector	1	22-0204-08	22-0204-08	22-0204-08	22-0204-08	22-0205-07	
25	Motor							
	1 Phase ODP	1	9017-9235	9017-6090	9017-6130	N/A	N/A	
	1 Phase TEFC	1	9017-6075	9017-6095	9017-6135	N/A	N/A	
	3 Phase Triple Volt ODP	1	9011-1733	9011-1758	9011-1899	9011-1907	9011-8282	
	3 Phase Triple Volt TEFC	1	9011-4612	9011-4638	9011-4653	9011-4679	9011-4695	
	3 Phase 575 Volt ODP	1	9017-9250	9017-9276	9017-6300	9017-6630	9017-6340	
3 Phase 575 Volt TEFC	1	9017-6265	9017-6285	9017-6305	9017-6335	9017-6345		
26	Power Frame	1	CALL FOR INFORMATION					

75 Thompson Drive, Cambridge, Ontario N1T 2E4 Canada
 TELEPHONE - 519-740-9293
 FAX - 519-623-6015
 www.vmpumpcompany.com



**GRISWOLD H SERIES
SELF-PRIMING PUMP
REPAIR PARTS**

October 1, 2003

HL SERIES PUMP REPAIR PARTS

Key #	Description	Qty.	3HL	5HL	75HL	10HL	15HL	
1	Suction Flange Cap Screw	4	14-1292-25	14-1292-25	14-1292-25	14-1292-25	14-1292-25	
2	Suction Flange 3" NPT	1	16-0012-08	16-0012-08	16-0012-08	16-0012-08	16-0012-08	
3	Flapper Weight Screw	1	14-1403-13	14-1403-13	14-1403-13	14-1403-13	14-1403-13	
4	Flapper Weight Washer	1	14-0740-09	14-0740-09	14-0740-09	14-0740-09	14-0740-09	
5	Suction Gasket / Flapper	1	13-0091-05	13-0091-05	13-0091-05	13-0091-05	13-0091-05	
6	Flapper Weight	1	16-0014-06	16-0014-06	16-0014-06	16-0014-06	16-0014-06	
7	3/4" Drain Plug	1	31-0062-07	31-0062-07	31-0062-07	31-0062-07	31-0062-07	
8	1/4" Vacuum Plug	1	31-0059-11	31-0059-11	31-0059-11	31-0059-11	31-0059-11	
9	3/4" Accessories Plug	1	31-0062-07	31-0062-07	31-0062-07	31-0062-07	31-0062-07	
10	1" Fill Plug	1	31-0063-07	31-0063-07	31-0063-07	31-0063-07	31-0063-07	
11	Self Primer Case	1	H1NI1	H1NI1	H1NI1	H1NI1	H1NI1	
12	Mechanical Seal Assembly	1	10-0369-03	10-0369-03	10-0369-03	10-0369-03	10-0369-03	
13	Motor Cap Screw - Single Ph	4	14-1294-23	14-1294-23	14-1294-23	14-1787-01	N/A	
	Motor Cap Screw - Three Ph				14-1787-01		14-1787-01	
14	Motor Bracket - Single Phase	1	02-1592-00	02-1592-00	02-1569-09	02-1569-09	N/A	
	Motor Bracket - Three Phase				02-1592-00		02-1569-09	
15	Bracket / Case Cap Screw	8	14-1292-25	14-1292-25	14-1292-25	14-1292-25	14-1292-25	
16	Impeller Bolt	1	14-1296-47	14-1296-47	14-1296-47	14-1296-47	14-1296-47	
17	Impeller Washer Adaptor	1	14-4122-09	14-4122-09	14-4122-09	14-4122-09	14-4122-09	
18	Impeller Wear Ring	1	H1PM7	H1PM7	H1PM7	H1PM7	H1PM7	
19	Impeller	1	H2BZ550	H2BZ643	H2BZ700	H2BZ756	H2BZ797	
20	Impeller Key	1	14-4124-07	14-4124-07	14-4124-07	14-4124-07	14-4124-07	
21	Shaft Sleeve	1	08-2872-11	08-2872-11	08-2872-11	08-2872-11	08-2872-11	
22	Sleeve O-Ring	2	47-0022-09	47-0022-09	47-0022-09	47-0022-09	47-0022-09	
23	Case / Bracket O-Ring	1	47-0171-08	47-0171-08	47-0171-08	47-0171-08	47-0171-08	
24	Deflector	1	22-0204-08	22-0204-08	22-0204-08	22-0204-08	22-0204-08	
25	Motor							
	1 Phase ODP	1	9017-6030	9017-9235	9017-6090	9017-6130	N/A	
	1 Phase TEFC	1	9017-6035	9017-6075	9017-6095	9017-6135	N/A	
	3 Phase Triple Volt ODP	1	9011-0005	9011-1733	9011-1758	9011-1899	9011-1907	
	3 Phase Triple Volt TEFC	1	9011-0010	9011-4612	9011-4638	9011-4653	9011-4679	
	3 Phase 575 Volt ODP	1	9017-6240	9017-9250	9017-9276	9017-6300	9017-6630	
3 Phase 575 Volt TEFC	1	9017-6245	9017-6265	9017-6285	9017-6305	9017-6335		
26	Power Frame	1	CALL FOR INFORMATION					

75 Thompson Drive, Cambridge, Ontario N1T 2E4 Canada
 TELEPHONE - 519-740-9293
 FAX - 519-623-6015
 www.vmpumpcompany.com