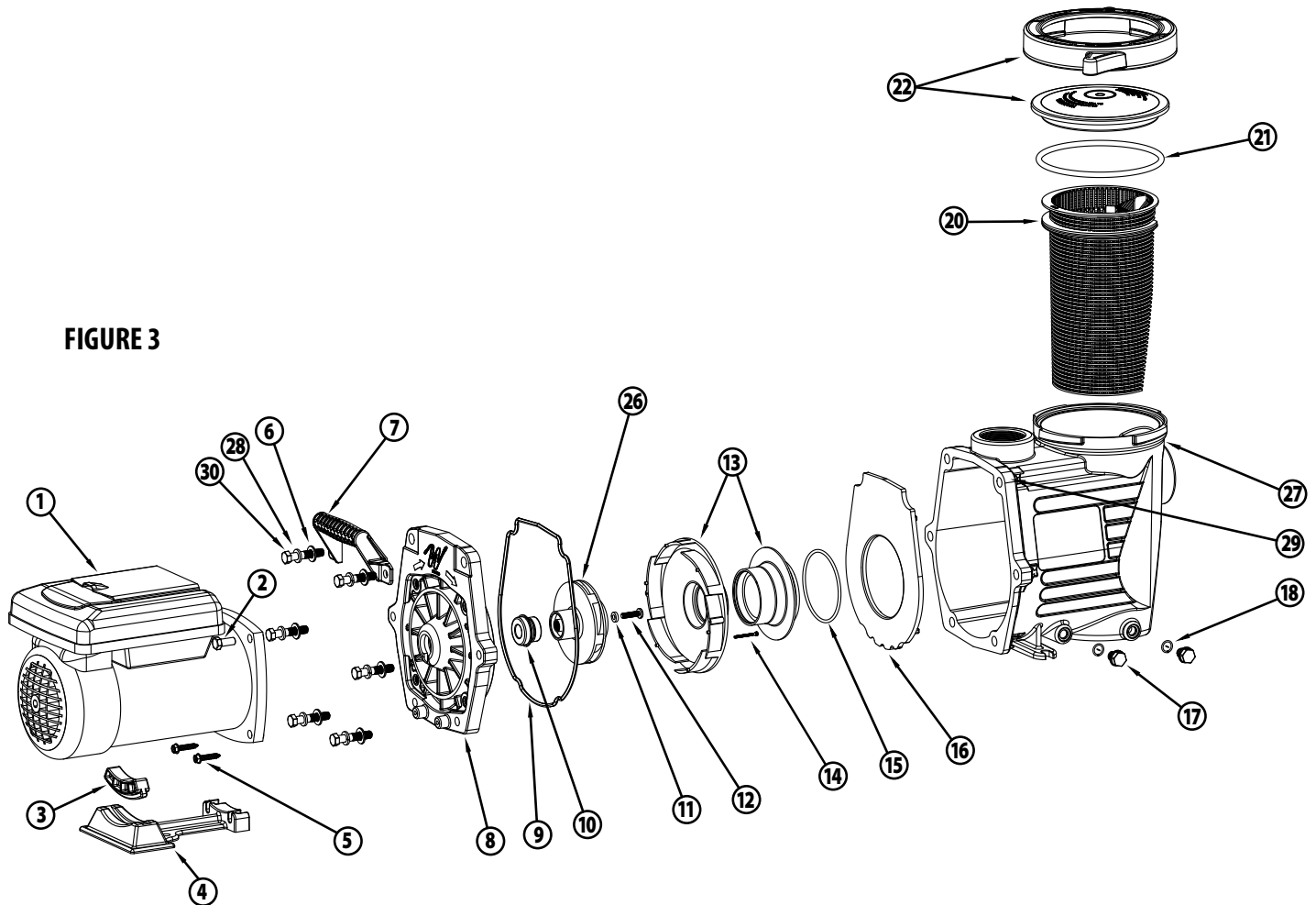


POWER DEFENDER 1.65 HP PUMP REPLACEMENT PARTS

FIGURE 3



Part No.	Qty	Description
1	-	1 Motor
2	819-0035	3 Bolt .375-16 X .875 Long
3	672-1350	1 Motor Support Supra Max
4	319-1500	1 Motor Base
5	819-0013	2 Screw Slot Hex Washer 1/4" X 1_1/4"
6	820-0017	6 3/8" Flat Washer Type B, Pool Pumps
7	319-1700	1 Handle
8	311-1450	1 Face Plate
9	711-1400	1 Gasket, Face Plate
10	319-3100B	1 Pump Seal Set-Viton
11	711-4300	1 Washer, Impeller
12	819-4360	1 Screw Phil. Pan Head Left Hand 1/4-20 X 1"
13	310-7470	1 Diffuser Assy
14	819-0018	2 #4-40 Uncs Bolt Schs

Part No.	Qty	Description
15	805-0238	1 O-Ring-238
16	319-1420	1 Diffuser Plate
17	715-1200	2 3/8" Quarter Slot Plug (Sd Wet End)
18	805-0014	2 O-Ring, -014
20	319-1430	1 Basket Assy
21	805-0436	1 O-Ring, 6" Trap Lid
22	319-4100	1 Lid Assembly, 6" Trap
26	310-7430	1 2 HP Full 2.5 HP Upr Impeller Assy
27	315-2410	1 Pump Housing - 2" X 2" Npt
28	820-0017-1	6 3/8" Washer, Split Lock
29	820-4280	6 Brass Insert, 3/8-16 Unc Housing
30	819-0016	6 3/8"-16 X 2" Lg Hex Head