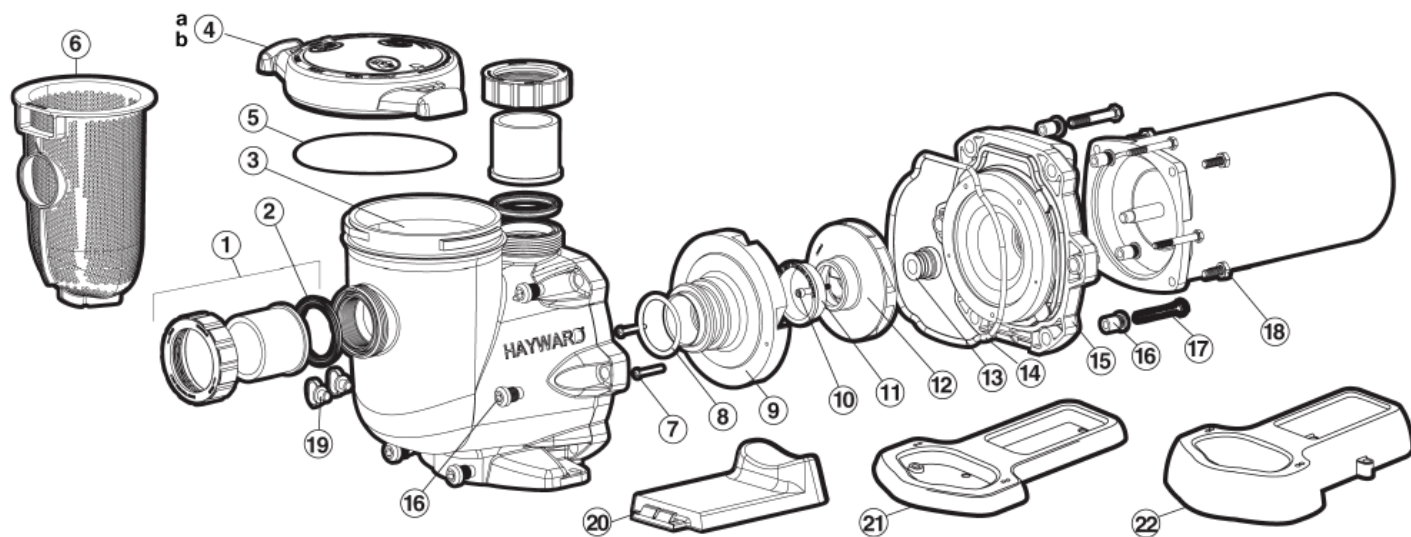


HCP 2000 SERIES



| Item No. | Description | |
|----------|-----------------|-----------------|
| SP3205EE | Tristar 1/2HP | 115/208/230 1PH |
| SP3207EE | Tristar 3/4HP | 115/208/230 1PH |
| SP3210EE | Tristar 1HP | 115/208/230 1PH |
| SP3215EE | Tristar 1 1/2HP | 115/208/230 1PH |
| SP3220EE | Tristar 2HP | 208/230 1PH |
| SP3230EE | Tristar 3HP | 208/230 1PH |
| SP3250EE | Tristar 5HP | 208/230 1PH |
| HCP3205C | Tristar 1/2HP | 575V 3PH |
| HCP3207C | Tristar 3/4HP | 575V 3PH |
| HCP3210C | Tristar 1HP | 575V 3PH |
| HCP3215C | Tristar 1 1/2HP | 575V 3PH |
| HCP3220C | Tristar 2HP | 575V 3PH |
| HCP3230C | Tristar 3HP | 575V 3PH |
| HCP3250C | Tristar 5HP | 575V 3PH |



Tristar Replacement Parts

| Item No. | Drwg # | Description | Item No. | Drwg # | Description |
|--------------|--------|--------------------------|-------------|--------|---------------------------|
| SPX3200UNKIT | 1 | Union Connector, 3 Piece | SPX3215C | 12 | Impellor 1.2HP, w/Screw |
| SPX3200UG | 2 | Union Gasket, 2 PKG | SPX3220C | 12 | Impellor 2HP, w/Screw |
| SPX3200A | 3 | Strainer Housing | SPX3230C | 12 | impellor 3HP, w/Screw |
| SPX3200DLS | 4 | Strainer Cover, W/O-Ring | SPX3230C5 | 12 | Impellor 5HP, w/Screw |
| SPX3200S | 5 | Strainer Cover O-Ring | SPX3200SA | 13 | Mechanical Seal, #PS-3890 |
| SPX3200M | 6 | Strainer Basket | SPX3200T | 14 | Housing O-Ring |
| SPX3200Z8 | 7 | Diffuser Screws (2) | SPX3200E | 15 | Seal Plate |
| SPX4000Z1 | 8 | Diffuser O-Ring | SPX3200Z211 | 16 | Housing Insert/Spacer Kit |
| SPX3200B3 | 9 | Diffuser | SPX3200Z3 | 17 | Housing Bolt |
| SPX3200Z1 | 10 | Impellor Screw | SPX3200Z5 | 18 | Motor Bolt |
| SPX3021R | 11 | Impellor Ring | SPX4000FG | 19 | Drain Plug w/O-Ring |
| SPX3205C | 12 | Impellor 1/2HP, W/Screw | SPX3200GA | 20 | Motor Support Bracket |
| SPX3207C | 12 | Impellor 3/4HP, W/Screw | SPX3200WF | 21 | Motor Support Bracket |
| SPX3210C | 12 | Impellor 1HP, W/Screw | SPX3200SR | 22 | Motor Support Bracket |