

Specifications:

Standard:

Basin construction is custom molded fiberglass reinforced polyester resin. The wall thickness shall be sufficient to withstand a water-saturated sand load of 120 lbs per cubic foot (1.9 gms/cu. cm) with a 1.5 safety factor.

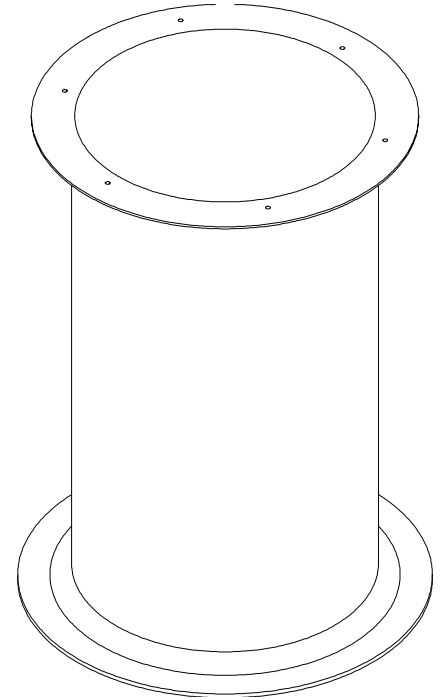
The Ballast support flange shall extend a minimum of 3" (76mm) on the radius of the basin. The flange is fiberglassed to the bottom of the basin. When secured properly to a concrete pad or pouring concrete over and around the flange, prevents the basin from rising, or floating out of the ground when empty as a result of static ground pressure. The basin will withstand a maximum temperature of 140°F (60°C).

OPTIONAL EQUIPMENT:

Inlet Hubs or Flexible pipe Fittings; Discharge Couplings; Electrical Conduit Couplings; Studs for mounting BAF's.

Non-Sparking:

Basins for Non-Sparking Systems, same as above except basins must have two (2) 1-1/2" or 2" NPT electrical couplings bolted to basin wall, for Simplex and Duplex has three couplings, 1-1/2" or 2" NPT, (See Page 6 for Coupling).



24" thru 72" Dia (.6m thru 1.8m)
48" thru 156" Depth (1.2m thru 3.9m)

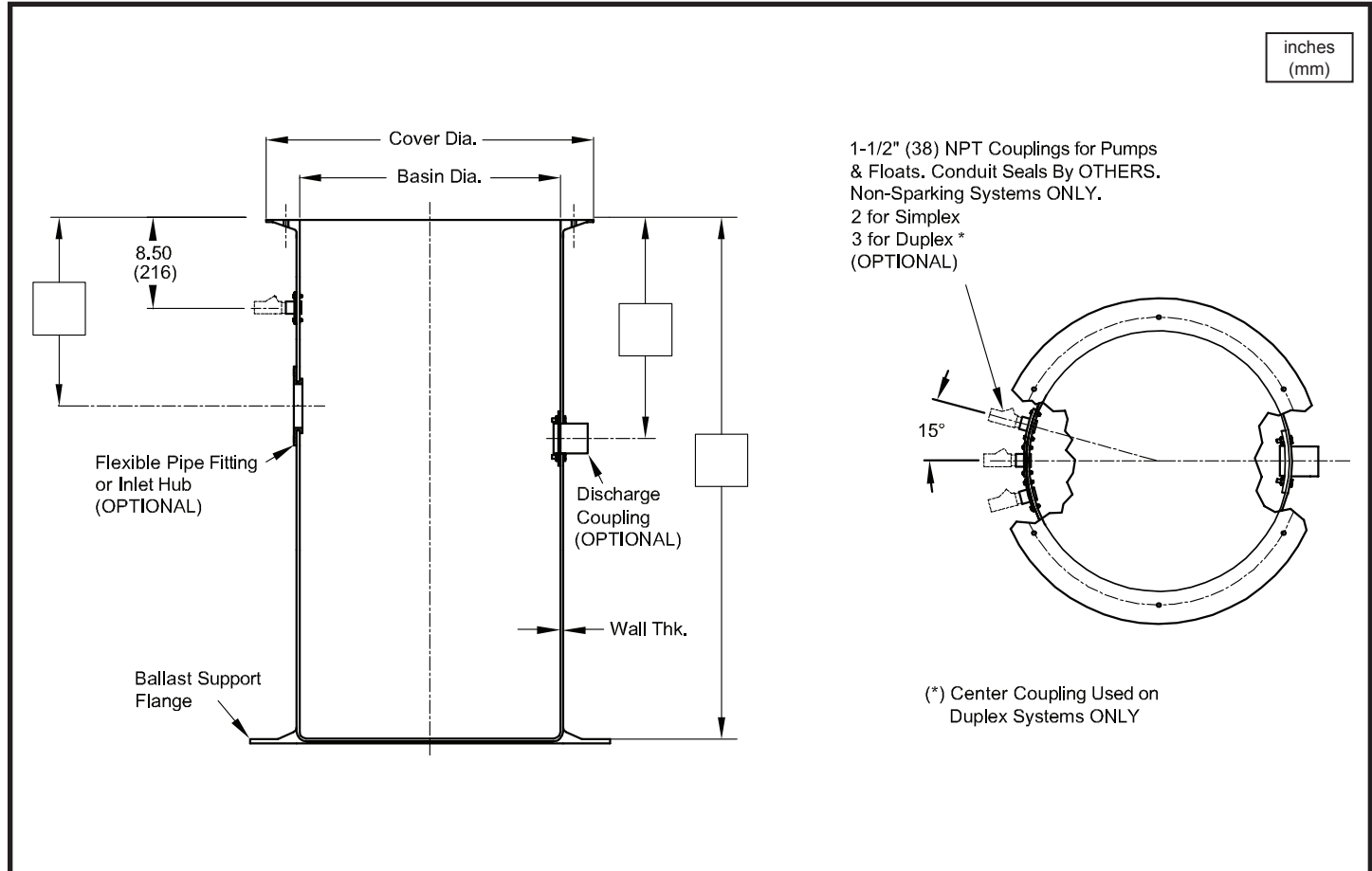
Fiberglass Basins

with Ballast Support Flange
24" Dia. thru 72" Dia. (.6m thru 1.8m)

BARNES®

www.cranepumps.com

Basins & Accessories



PART NO.	BASIN INSIDE DIA.	BASIN INSIDE DEPTH	COVER DIA.	NOMINAL WALL THK.	CAPACITY APPROX. GALLONS (Liters)	SHIPPING WEIGHT IN LBS, (kg)
093982	24 (610)	48 (1219)	28 (711)	.19 (4.8)	94 (356)	51 (23)
094688	24 (610)	60 (1524)	28 (711)	.19 (4.8)	118 (447)	61 (28)
094689	24 (610)	72 (1829)	28 (711)	.19 (4.8)	141 (534)	71 (32)
093972	24 (610)	78 (1981)	28 (711)	.19 (4.8)	153 (579)	94 (43)
093954	24 (610)	84 (2134)	28 (711)	.25 (6.4)	165 (625)	100 (45)
093975	24 (610)	90 (2286)	28 (711)	.25 (6.4)	176 (666)	106 (48)
094690	24 (610)	96 (2438)	28 (711)	.25 (6.4)	188 (712)	112 (51)
097856	24 (610)	102 (3048)	28 (711)	.25 (6.4)	199 (753)	118 (54)
093989	24 (610)	108 (2743)	28 (711)	.25 (6.4)	211 (799)	124 (56)
097857	24 (610)	114 (2896)	28 (711)	.25 (6.4)	223 (844)	130 (59)
094691	24 (610)	120 (3048)	28 (711)	.25 (6.4)	235 (890)	136 (62)
097858	24 (610)	126 (3200)	28 (711)	.25 (6.4)	246 (931)	142 (64)
097859	24 (610)	132 (3353)	28 (711)	.25 (6.4)	258 (977)	148 (67)
098882	24 (610)	144 (3658)	28 (711)	.25 (6.4)	282 (1067)	160 (73)

Basin depths in 6 inch (152mm) increments up to 144 inches (3658mm), then in 12 inch (305mm) increments. Consult factory for other depths and configurations. Continued on next page

SECTION C
PAGE 2
DATE 4/05

CRANE
A Crane Co. Company

PUMPS & SYSTEMS

USA: (937) 778-8947 • Canada: (905) 457-6223 • International: (937) 615-3598

Basins & Accessories

PART NO.	BASIN INSIDE DIA.	BASIN INSIDE DEPTH	COVER DIA.	NOMINAL WALL THK.	CAPACITY APPROX. GALLONS (Liters)	SHIPPING WEIGHT IN LBS, (kg)
094614	30 (762)	36 (914)	34 (864)	.19 (4.8)	110 (416)	56 (25)
094003	30 (762)	48 (1219)	34 (864)	.19 (4.8)	147 (557)	78 (35)
094692	30 (762)	60 (1524)	34 (864)	.25 (6.4)	184 (697)	94 (43)
094693	30 (762)	72 (1829)	34 (864)	.25 (6.4)	220 (833)	114 (52)
094004	30 (762)	78 (1981)	34 (864)	.25 (6.4)	239 (905)	122 (55)
094005	30 (762)	84 (2134)	34 (864)	.25 (6.4)	257 (973)	160 (73)
094006	30 (762)	90 (2286)	34 (864)	.31 (7.8)	275 (1041)	170 (77)
094694	30 (762)	96 (2438)	34 (864)	.31 (7.8)	294 (1113)	180 (82)
097860	30 (762)	102 (2591)	34 (864)	.31 (7.8)	312 (1181)	190 (86)
094007	30 (762)	108 (2743)	34 (864)	.31 (7.8)	330 (1249)	200 (91)
094695	30 (762)	120 (3048)	34 (864)	.31 (7.8)	367 (1389)	233 (106)
097861	30 (762)	126 (3200)	34 (864)	.31 (7.8)	385 (1457)	243 (110)
097862	30 (762)	132 (3353)	34 (864)	.31 (7.8)	403 (1526)	254 (115)
097863	30 (762)	138 (3505)	34 (864)	.31 (7.8)	422 (1597)	265 (120)
098884	30 (762)	144 (3658)	34 (864)	.31 (7.8)	440 (1666)	312 (142)
094121	36 (914)	48 (1219)	40 (1016)	.19 (4.8)	212 (803)	98 (45)
094696	36 (914)	60 (1524)	40 (1016)	.25 (6.4)	264 (999)	116 (53)
094697	36 (914)	72 (1829)	40 (1016)	.25 (6.4)	317 (1200)	136 (62)
094122	36 (914)	78 (1981)	40 (1016)	.25 (6.4)	344 (1302)	160 (73)
094123	36 (914)	84 (2134)	40 (1016)	.25 (6.4)	370 (1401)	171 (78)
094124	36 (914)	90 (2286)	40 (1016)	.31 (7.8)	397 (1503)	205 (93)
094698	36 (914)	96 (2438)	40 (1016)	.31 (7.8)	423 (1601)	217 (98)
094125	36 (914)	108 (2743)	40 (1016)	.31 (7.8)	476 (1802)	242 (110)
094699	36 (914)	120 (3048)	40 (1016)	.31 (7.8)	529 (2003)	280 (127)
098881	36 (914)	144 (3658)	40 (1016)	.31 (7.8)	634 (2400)	372 (169)
094135	42 (1067)	48 (1219)	46 (1168)	.19 (4.8)	288 (1091)	116 (53)
094136	42 (1067)	60 (1524)	46 (1168)	.19 (4.8)	360 (1363)	138 (63)
094137	42 (1067)	72 (1829)	46 (1168)	.25 (6.4)	432 (1635)	168 (76)
094138	42 (1067)	78 (1981)	46 (1168)	.25 (6.4)	468 (1772)	187 (85)
094139	42 (1067)	84 (2134)	46 (1168)	.25 (6.4)	504 (1908)	200 (91)
094140	42 (1067)	90 (2286)	46 (1168)	.25 (6.4)	540 (2044)	211 (96)
094141	42 (1067)	96 (2438)	46 (1168)	.31 (7.8)	576 (2180)	224 (102)
094142	42 (1067)	108 (2743)	46 (1168)	.31 (7.8)	648 (2453)	248 (113)
094143	42 (1067)	120 (3048)	46 (1168)	.31 (7.8)	720 (2726)	307 (139)
098886	42 (1067)	132 (3353)	46 (1168)	.34 (8.6)	791 (2994)	340 (154)
098887	42 (1067)	144 (3658)	46 (1168)	.34 (8.6)	863 (3267)	370 (168)

Basin depths in 6 inch (152mm) increments up to 144 inches (3658mm), then in 12 inch (305mm) increments.
Consult factory for other depths and configurations.
Continued on next page

Fiberglass Basins

with Ballast Support Flange

24" Dia. thru 72" Dia. (.6m thru 1.8m)

BARNES®

www.cranepumps.com

Basins & Accessories

PART NO.	BASIN INSIDE DIA.	BASIN INSIDE DEPTH	COVER DIA.	NOMINAL WALL THK.	CAPACITY APPROX. GALLONS (Liters)	SHIPPING WEIGHT IN LBS. (kg)
094714	48 (1219)	48 (1219)	54 (1372)	.19 (4.8)	376 (1423)	134 (61)
094700	48 (1219)	60 (1524)	54 (1372)	.19 (4.8)	470 (1779)	160 (73)
094701	48 (1219)	72 (1829)	54 (1372)	.25 (6.4)	564 (2135)	186 (84)
094239	48 (1219)	78 (1981)	54 (1372)	.25 (6.4)	611 (2313)	247 (112)
094713	48 (1219)	84 (2134)	54 (1372)	.25 (6.4)	658 (2491)	262 (119)
094240	48 (1219)	90 (2286)	54 (1372)	.25 (6.4)	705 (2669)	277 (126)
094702	48 (1219)	96 (2438)	54 (1372)	.25 (6.4)	752 (2847)	295 (134)
094241	48 (1219)	108 (2743)	54 (1372)	.31 (7.8)	846 (3203)	325 (147)
094703	48 (1219)	120 (3048)	54 (1372)	.31 (7.8)	940 (3558)	429 (195)
098889	48 (1219)	132 (3352)	54 (1372)	.34 (8.6)	1034 (3914)	465 (211)
098879	48 (1219)	144 (3658)	54 (1372)	.34 (8.6)	1128 (4270)	501 (227)
098891	48 (1219)	156 (3962)	54 (1372)	.34 (8.6)	1222 (4625)	540 (245)
094242	60 (1524)	48 (1219)	66 (1676)	.19 (4.8)	588 (2226)	176 (80)
094704	60 (1524)	60 (1524)	66 (1676)	.25 (6.4)	734 (2778)	208 (94)
094705	60 (1524)	72 (1829)	66 (1676)	.25 (6.4)	881 (3335)	240 (109)
094243	60 (1524)	78 (1981)	66 (1676)	.25 (6.4)	955 (3615)	315 (143)
094715	60 (1524)	84 (2134)	66 (1676)	.25 (6.4)	1028 (3891)	335 (152)
094716	60 (1524)	90 (2286)	66 (1676)	.25 (6.4)	1102 (4172)	360 (164)
094706	60 (1524)	96 (2438)	66 (1676)	.25 (6.4)	1175 (4448)	380 (172)
094717	60 (1524)	108 (2743)	66 (1676)	.31 (7.8)	1328 (5027)	415 (188)
094707	60 (1524)	120 (3048)	66 (1676)	.38 (9.5)	1469 (5561)	455 (206)
098892	60 (1524)	132 (3352)	66 (1676)	.38 (9.5)	1615 (6113)	600 (272)
098880	60 (1524)	144 (3658)	66 (1676)	.38 (9.5)	1762 (6669)	648 (294)
098893	60 (1524)	156 (3962)	66 (1676)	.38 (9.5)	1909 (7226)	812 (368)
098160	72 (1829)	84 (2134)	78 (1981)	.46 (11.7)	1481 (5606)	439 (199)
098161	72 (1829)	96 (2438)	78 (1981)	.46 (11.7)	1692 (6405)	523 (237)
098162	72 (1829)	108 (2743)	78 (1981)	.46 (11.7)	1904 (7207)	586 (266)
098163	72 (1829)	120 (3048)	78 (1981)	.46 (11.7)	2115 (8006)	748 (339)
098894	72 (1829)	132 (3352)	78 (1981)	.52 (13.2)	2327 (8808)	854 (387)
098164	72 (1829)	144 (3658)	78 (1981)	.52 (13.2)	2538 (9607)	920 (417)
098895	72 (1829)	156 (3962)	78 (1981)	.52 (13.2)	2749 (10406)	972 (441)

Basin depths in 6 inch (152mm) increments up to 96 inches (2438mm), then in 12 inch (305mm) increments. Consult factory for other depths and configurations.

SECTION C
PAGE 4
DATE 4/05

CRANE
A Crane Co. Company

PUMPS & SYSTEMS

A Crane Co. Company

USA: (937) 778-8947 • Canada: (905) 457-6223 • International: (937) 615-3598