

# Basin Covers

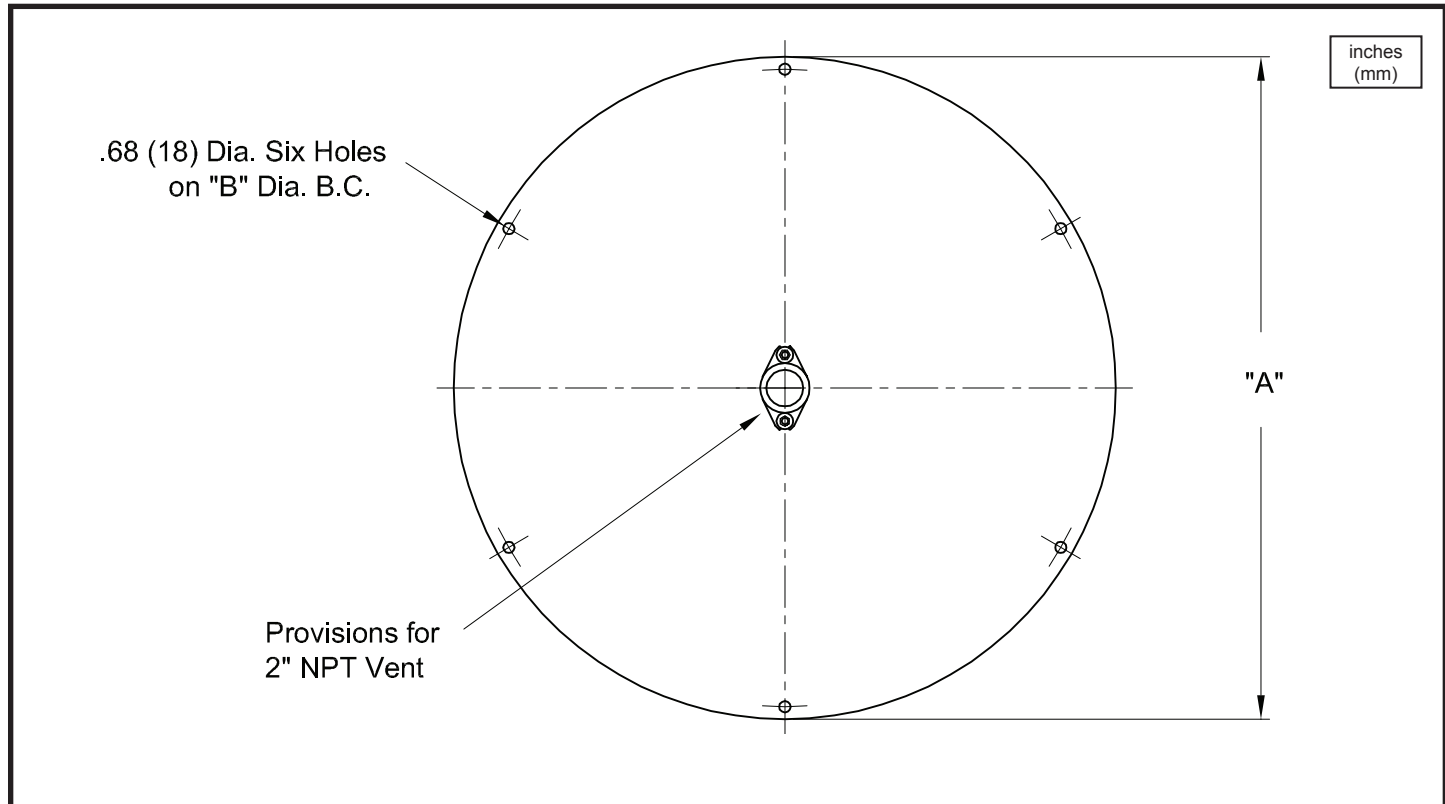
Fiberglass

For 24" Dia. thru 42" Dia. Basins

# BARNES®

www.cranepumps.com

## Basins & Accessories



PART NO. Fiberglass:	BASIN DIA.	COVER DIA. "A"	BOLT CIRCLE "B"	COVER THK.
094487	24.00 (610)	30.19 (767)	26.50 (673)	.30 - .34 (8 - 9)
094488	30.00 (762)	36.50 (927)	32.50 (826)	.30 - .34 (8 - 9)
094489	36.00 (914)	42.50 (1080)	38.50 (978)	.33 - .37 (8 - 10)
094017	42.00 (1067)	46.00 (1168)	44.50 (1130)	.50 (13)

The Fiberglass Covers are of reinforced plastic and are grass green in color.  
Covers have a load rating of 150 lbs/sq. ft. (732 kgs/sq. meter) minimum.

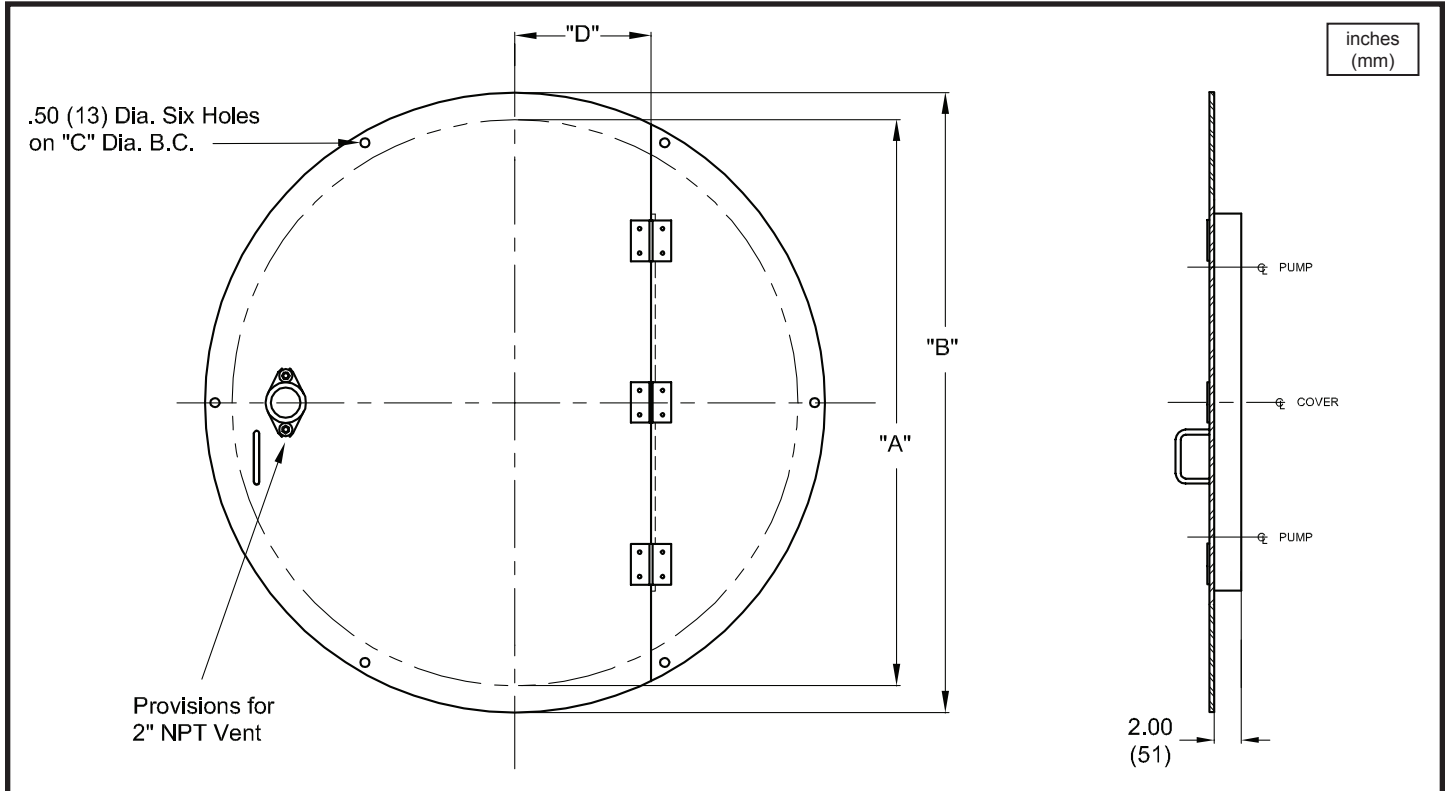
SECTION C  
PAGE 8  
DATE 6/16

**CRANE**<sup>®</sup>

A Crane Co. Company

PUMPS & SYSTEMS

USA: (937) 778-8947 • Canada: (905) 457-6223 • International: (937) 615-3598



PART NO.	BASIN DIA. "A"	COVER DIA. "B"	BOLT CIRCLE "C"	"D"	COVER THK.
<b>Steel:</b>					
094708	36 (914)	40 (1016)	38.50 (978)	9.00 (229)	.37 (9)
094163	42 (1067)	46 (1168)	44.50 (1130)	10.12 (257)	.37 (9)
<b>Aluminum:</b>					
094709	36 (914)	40 (1016)	38.50 (978)	9.00 (229)	.25 (6)
094164	42 (1067)	46 (1168)	44.50 (1130)	10.12 (257)	.25 (6)

Basin covers have hinged access door, lifting handle, provisions for 2" NPT vent, stainless steel hinges and hardware. Covers have a load rating of 150 lbs/sq. ft. (732 kgs/sq. meter) minimum. Steel cover has Black Powder Coating.

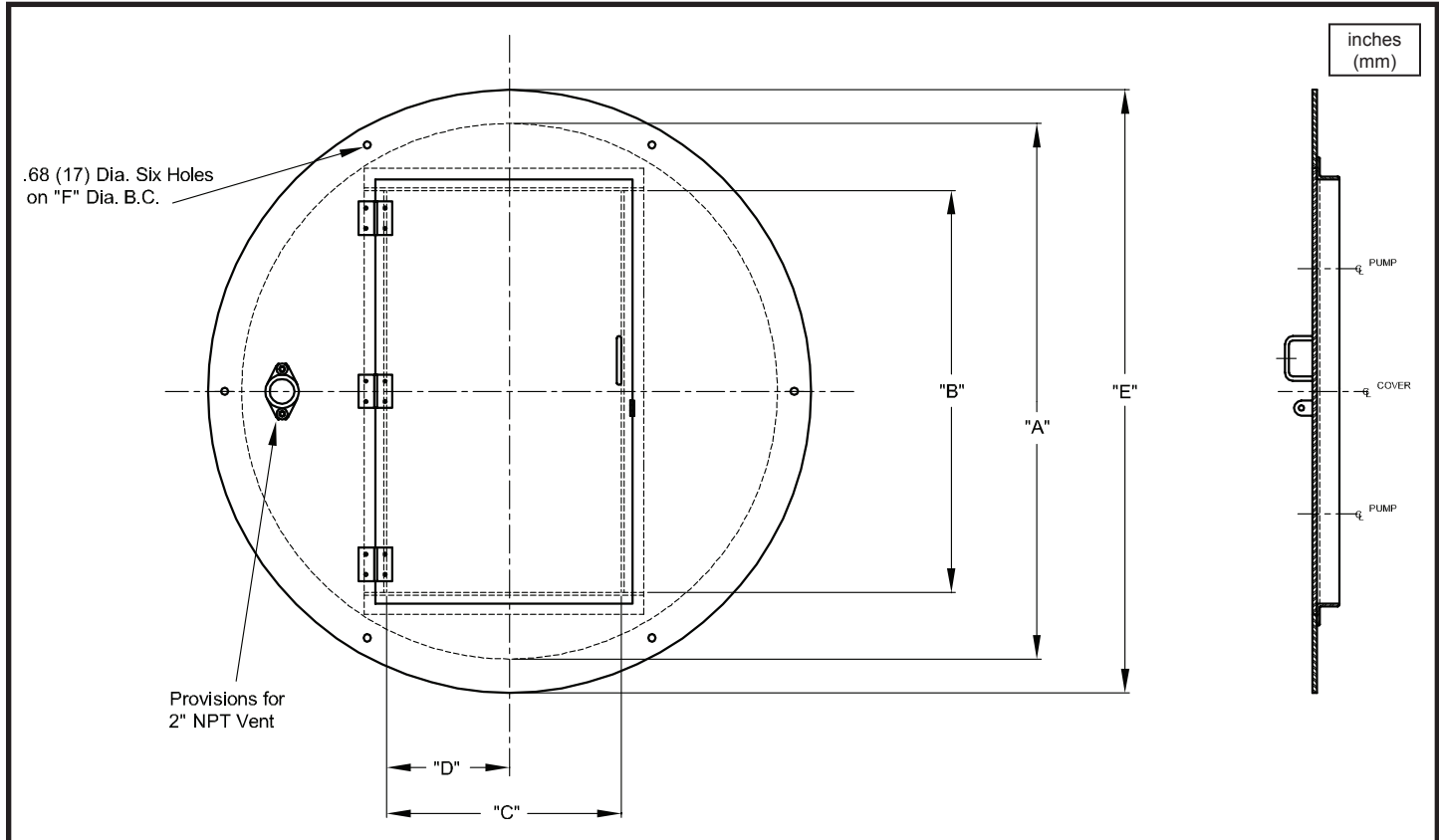
# Basin Covers

Duplex, Steel & Aluminum, 48" & 60" for Pumps  
on Stainless "C" Channel Rail Systems

# BARNES®

www.cranepumps.com

## Basins & Accessories



PART NO.	BASIN DIA. "A"	OPENING "B"	OPENING "C"	"D"	DIA. "E"	B.C. "F"	COVER THK.
<b>Steel:</b>							
094165	48 (1219)	36 (914)	23 (584)	13.00 (330)	54 (1372)	51 (1295)	.37 (9)
094167	60 (1524)	36 (914)	23 (584)	8.90 (226)	66 (1676)	63 (1600)	.37 (9)
<b>Aluminum:</b>							
102720	48 (1219)	36 (914)	23 (584)	13.00 (330)	54 (1372)	51 (1295)	.25 (6)
109776	60 (1524)	36 (914)	23 (584)	8.90 (226)	66 (1676)	63 (1600)	.25 (6)

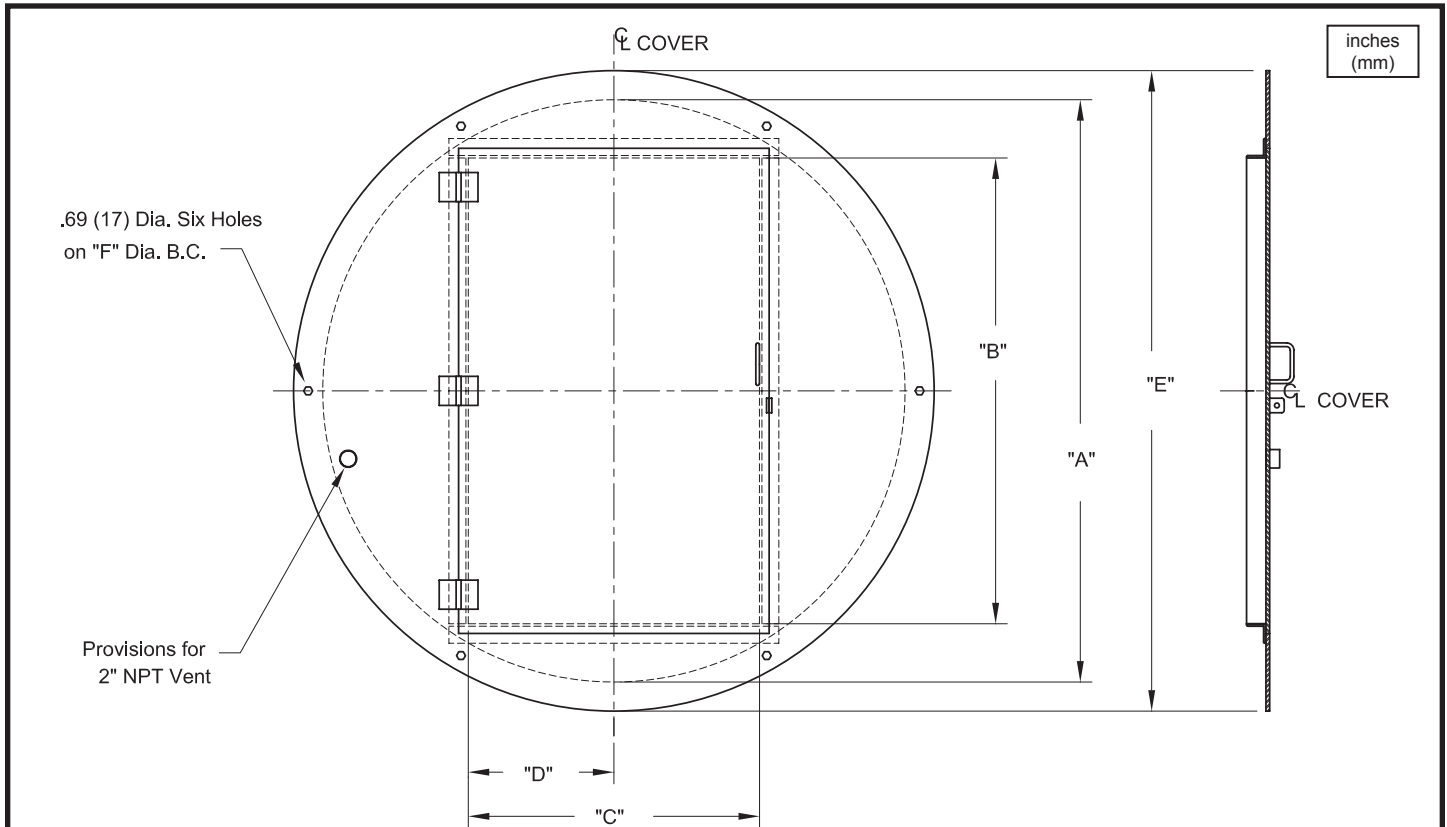
Basin covers have hinged access door, lifting handle, provisions for 2" NPT vent, stainless steel hinges and hardware. Covers have a load rating of 150 lbs/sq. ft. (732 kgs/sq. meter) minimum. Steel cover has Black Powder Coating.

SECTION C  
PAGE 10  
DATE 3/17

**CRANE**  
A Crane Co. Company

PUMPS & SYSTEMS

USA: (937) 778-8947 • Canada: (905) 457-6223 • International: (937) 615-3598



PART NO.	BASIN DIA. "A"	OPENING "B"	OPENING "C"	"D"	DIA. "E"	B.C. "F"	COVER THK.
101186	60 (1524)	48 (1219)	30 (762)	15 (381)	66 (1676)	63 (1600)	.37 (9)

Steel basin cover comes with hinged access door, lifting handle, locking tabs, stainless steel hinges and provisions for 2" NPT vent. Steel cover has Black Powder Coating. Covers have a load rating of 150 lbs/sq. ft. (732 kgs/sq. meter) minimum.

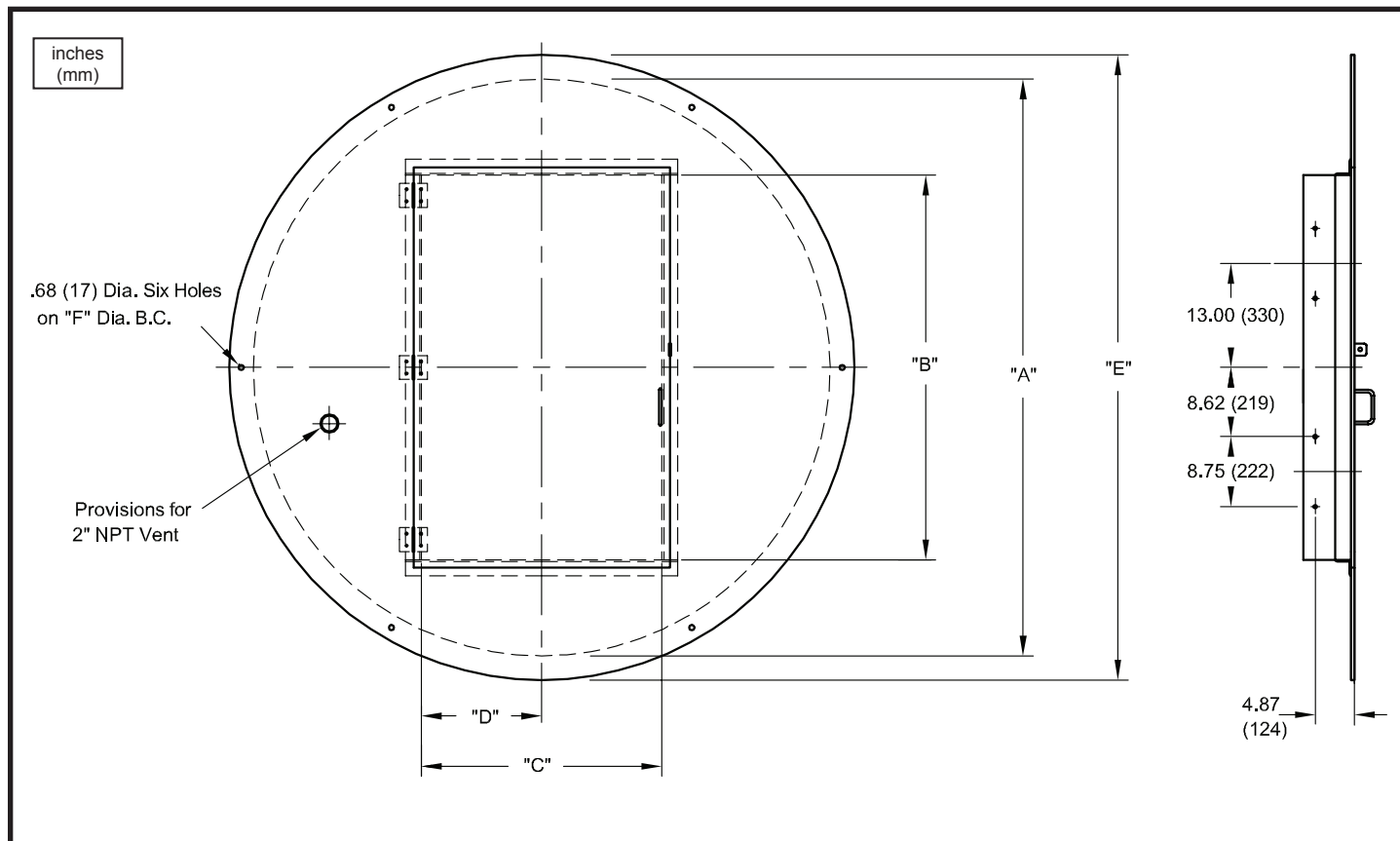
# Basin Covers

Steel, Duplex  
for BAF-4 and BAF-E4

# BARNES®

www.cranepumps.com

## Basins & Accessories



PART NO.	BASIN DIA. "A"	OPENING "B"	OPENING "C"	"D"	DIA. "E"	B.C. "F"	COVER THK.
076504	60 (1524)	48 (1219)	30 (762)	15 (381)	66 (1676)	63 (1600)	.25 (6)
074149	72 (1829)	48 (1219)	30 (762)	15 (381)	78 (1981)	75 (1905)	.37 (9)

Basin covers have hinged access door, lifting handle, locking tabs, provisions for 1-1/4" NPT vent, stainless steel hinges and hardware.

Covers have a load rating of 150 lbs/sq. ft. (732 kgs/sq. meter) minimum.

Steel cover has Black Powder Coating.

SECTION C  
PAGE 12  
DATE 4/14

**CRANE**  
A Crane Co. Company

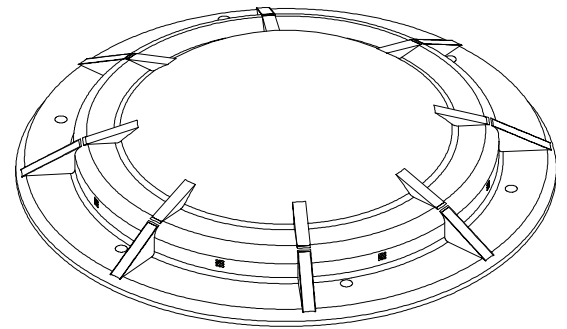
PUMPS & SYSTEMS

A Crane Co. Company

USA: (937) 778-8947 • Canada: (905) 457-6223 • International: (937) 615-3598

### Specifications:

The cover is a rugged, light weight rotomolded polyethylene grass green cover that is self-venting and engineered to fit all standard 24 inch (610mm) diameter and 30" Reduced basins.



### Molded Polyethylene Basin Cover P/N: 101799

For use with 24" Dia. (610) and 30" (762)  
Reduced Dia. Basins **ONLY**