

For repair parts, call (800) 747-1762

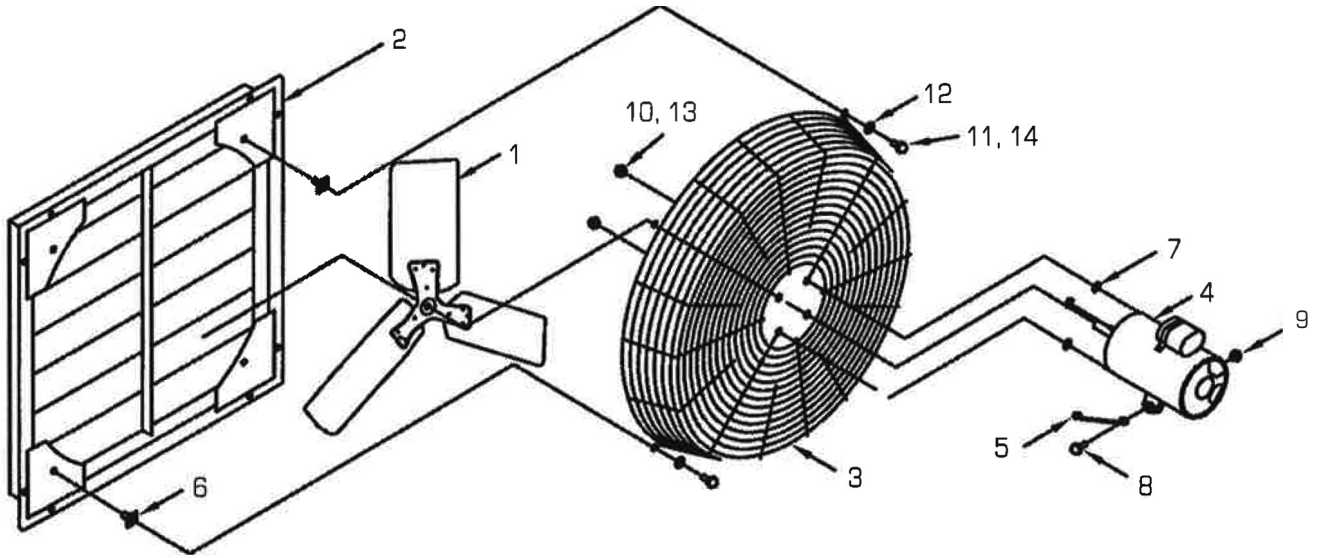


Figure 3. Repair parts illustration

Replacement Part List

| Ref no. | Description | 2SHE0721 thru 2SHE1871, Qty | 2SHE20 thru 2SHE24, Qty | 2SHE30 thru 2SHE36, Qty |
|---------|----------------------------|-----------------------------|-------------------------|-------------------------|
| 1 | Propeller | 1 | 1 | 1 |
| 2 | Shutter | 1 | 1 | 1 |
| 3 | Guard | 1 | 1 | 1 |
| 4 | Motor | 1 | 1 | 1 |
| 5 | Yoke brace | - | 1 | 1 |
| 6 | Grommet | - | 4 | - |
| 7 | 10 x 3/4" Flat washer* | - | 4 | 4 |
| 8 | 3/8-24 x 1" HHCS screw* | - | 1 | 1 |
| 9 | 3/8-24 Spinlock nut* | - | 1 | 1 |
| 10 | #10-32 Spinlock nut* | - | 4 | 4 |
| 11 | #10-16 x 5/8" S.M. screw* | 4 | 4 | - |
| 12 | 3/8" x 13/16" Flat washer* | - | 1 | - |
| 13 | #8-32 Spinlock nut* | 4 | - | - |
| 14 | #10-32 x 1.0 HWH screw | - | - | 8 |

* Standard hardware item, available locally