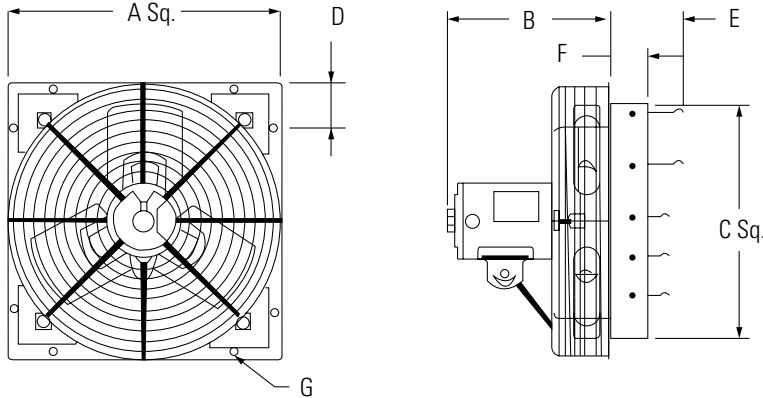


2SHE Series

Direct Drive Shutter Fan



STANDARD FEATURES

- All ventilators are UL 705 Standards listed
- Heavy duty guards have gray polyester coating to resist corrosion
- OSHA compliant guards
- Totally enclosed motors
- Speed controllable (except 2SHE 30C1 & 36D1)
- 2SHE07 thru 2SHE24 blades are manufactured from aluminum, 2SHE30 and 2SHE36 blades are manufactured from galvanized steel.



Fantech Inc. certifies that the 2SHE Series shown herein is licensed to bear the AMCA Seal. The ratings shown are based on tests and procedures performed in accordance with AMCA Publication 211 and AMCA Publication 311 and comply with the requirements of the AMCA Certified Ratings Program.

Model	A	B	C	D	E	F	G
2SHE 0721	11 1/8	4 15/16	8 1/2	3 9/16	5 3/4	3	1/4 X 1/2
2SHE 1021	13 1/8	5 3/7	10 1/2	10 1/2	5 3/4	3	1/4 X 1/2
2SHE 1221	15 1/8	6	13	3 9/16	5 3/4	3	1/4 X 1/2
2SHE 1621	19 1/8	6 13/16	17	10 1/2	5 3/4	3	1/4 X 1/2
2SHE 1871	21 1/8	8 1/2	18 1/2	3 9/16	5 3/4	3	1/4 X 1/2

Model	A	B	C	D	E	F	G
2SHE 20B1W	23 1/8	10 3/4	21	10 1/2	5 3/4	3	1/4 X 1/2
2SHE 24B1W	27 1/8	9 3/4	25	3 9/16	5 3/4	3	1/4 X 1/2
2SHE 30C1	33 1/8	13 1/3	31	10 1/2	5 3/4	3	1/4 X 1/2
2SHE 36D1	39 1/8	13 1/8	37	10 1/2	5 3/4	3	1/4 X 1/2

All dimensions in inches.

Fan Specifications							Motor Specifications					
Line	Qty	Model No.	Tag	CFM	SP	Fan RPM	Watts	Volts	Phase	Hertz	Encl	
1												
2												
3												
4												

Accessory Items	1	2	3	4	Accessory Items	1	2	3	4
<input type="checkbox"/>					<input type="checkbox"/>				
<input type="checkbox"/>					<input type="checkbox"/>				
<input type="checkbox"/>					<input type="checkbox"/>				
<input type="checkbox"/>					<input type="checkbox"/>				

Project: _____ Submitted: _____
 Customer: _____ Approved: _____
 Location: _____

United States 10048 Industrial Blvd. • Lenexa, KS 66061 • 1.800.747.1762 • www.fantech.net
 Canada 50 Kanalfarkt Way • Bouctouche, NB E4S 3M5 • 1.800.565.3548 • www.fantech.net

Fantech reserves the right to make technical changes.
 For updated documentation please refer to www.fantech.net

