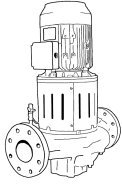


JOB:	REPRESENTATIVE:	
UNIT TAG:	ORDER NO.:	DATE:
ENGINEER:	SUBMITTED BY:	DATE:
CONTRACTOR:	APPROVED BY:	DATE:



12x12x13

Series e-80SC

In-Line Mounted Centrifugal Pumps

SPECIFICATIONS

FLOW _____ HEAD _____

HP _____ RPM _____

VOLTS _____

CYCLE _____ INPUT PHASE _____

ENCLOSURE _____

APPROX. WEIGHT _____

SPECIALS _____

MATERIALS OF CONSTRUCTION

Bronze Fitted

MAXIMUM WORKING PRESSURE

- 175 psi (12 bar) with 125# ANSI flange drilling
- 250 psi (17 bar) with 250# ANSI flange drilling (requires 80-S)

MOUNTING

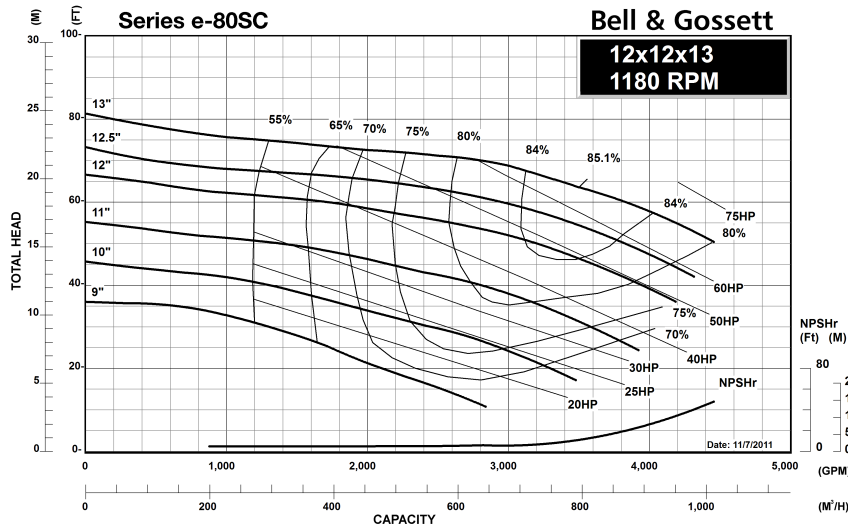
- In-Line Piping
- Flange Supports

PUMP VARIABLE SPEED CONTROL

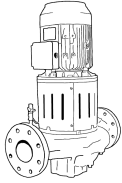
- Integrated Technologic® Sensorless Control (ITSC)
- Integrated Technologic® (IT)
 - External input by others
 - Pressure Sensor(s)
 - Differential Pressure Sensor(s)
 - Flow Sensor(s)
- By Others

TYPE OF FLUSHED SEAL

- Standard Internal (EPR/Carbon/Ceramic/SS)
- Inside Unitized (EPR/Carbon/Tungsten Carbide/SS)
- Inside Unitized (FKM/Carbon/Ceramic/SS)
- Inside Unitized (FKM/Carbon/Tungsten Carbide/SS)
- Outside (FKM/Carbon/Tungsten Carbide/SS)
- Outside (EPR/Carbon/Tungsten Carbide/SS)
- Outside (EPR/Carbon/Ceramic/SS)
- Outside (FKM/Carbon/Ceramic/SS)
- Inside 250# Unitized (EPR/Carbon/Tungsten Carbide/SS)
- Inside 250# (FKM/Carbon/Tungsten Carbide/SS)



JOB:	REPRESENTATIVE:	
UNIT TAG:	ORDER NO.	DATE:
ENGINEER:	SUBMITTED BY:	DATE:
CONTRACTOR:	APPROVED BY:	DATE:



12x12x13

Series e-80SC

In-Line Mounted Centrifugal Pumps

SPECIFICATIONS

FLOW _____ HEAD _____

HP _____ RPM _____

VOLTS _____

CYCLE _____ INPUT PHASE _____

ENCLOSURE _____

APPROX. WEIGHT _____

SPECIALS _____

MATERIALS OF CONSTRUCTION

Bronze Fitted

MAXIMUM WORKING PRESSURE

- 175 psi (12 bar) with 125# ANSI flange drilling
- 250 psi (17 bar) with 250# ANSI flange drilling (requires 80-S)

MOUNTING

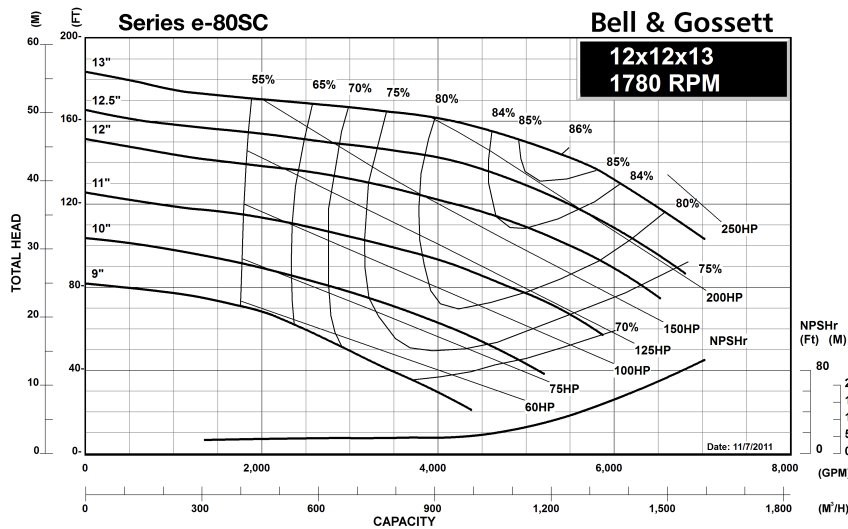
- In-Line Piping
- Flange Supports

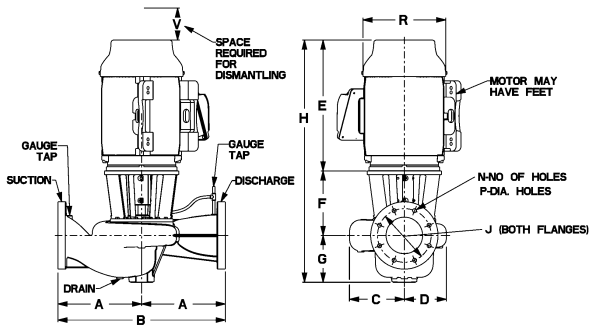
PUMP VARIABLE SPEED CONTROL

- Integrated Technologic® Sensorless Control (ITSC)
- Integrated Technologic® (IT)
 - External input by others
 - Pressure Sensor(s)
 - Differential Pressure Sensor(s)
 - Flow Sensor(s)
- By Others

TYPE OF FLUSHED SEAL

- Standard Internal (EPR/Carbon/Ceramic/SS)
- Inside Unitized (EPR/Carbon/Tungsten Carbide/SS)
- Inside Unitized (FKM/Carbon/Ceramic/SS)
- Inside Unitized (FKM/Carbon/Tungsten Carbide/SS)
- Outside (FKM/Carbon/Tungsten Carbide/SS)
- Outside (EPR/Carbon/Tungsten Carbide/SS)
- Outside (EPR/Carbon/Ceramic/SS)
- Outside (FKM/Carbon/Ceramic/SS)
- Inside 250# Unitized (EPR/Carbon/Tungsten Carbide/SS)
- Inside 250# (FKM/Carbon/Tungsten Carbide/SS)





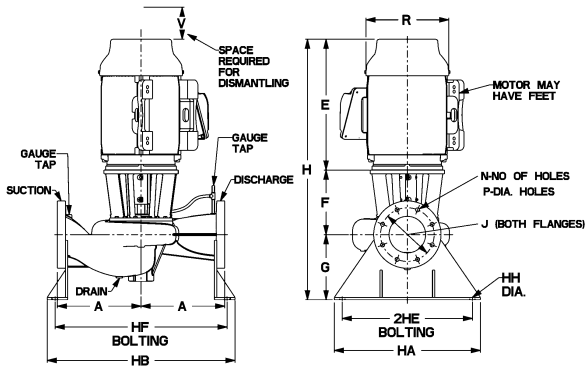
12x12x13 Series e-80SC Centrifugal Pump Submittal - In-Line Piping

DIMENSIONS - Inches (mm)

TC SHAFT MOTORS

MOTOR FRAME	A	B	C	D	E (max)	F	G	H (max)	125# ANSI			250# ANSI			R	V (min)	Suct/Disch Gauge Taps (NPT)	Drain Tap (NPT)
									J	N	P	J	N	P				
286TC	24.25 (616)	46.25 (1175)	12.06 (306)	16.44 (418)	23.38 (594)	23.88 (606)	11.19 (284)	58.44 (1484)	17.00 (432)	12	1.00 (25)	17.75 (451)	16	1.25 (32)	13.81 (351)	5.75 (146)	0.25	0.25
324TC	24.25 (616)	46.25 (1175)	12.06 (306)	16.44 (418)	25.94 (659)	26.19 (665)	11.19 (284)	63.31 (1608)	17.00 (432)	12	1.00 (25)	17.75 (451)	16	1.25 (32)	15.38 (391)	6.25 (159)	0.25	0.25
326TC	24.25 (616)	46.25 (1175)	12.06 (306)	16.44 (418)	25.94 (659)	26.19 (665)	11.19 (284)	63.31 (1608)	17.00 (432)	12	1.00 (25)	17.75 (451)	16	1.25 (32)	15.38 (391)	6.25 (159)	0.25	0.25
364TC	24.25 (616)	46.25 (1175)	12.06 (306)	16.44 (418)	28.69 (729)	26.19 (665)	11.19 (284)	66.06 (1678)	17.00 (432)	12	1.00 (25)	17.75 (451)	16	1.25 (32)	17.50 (445)	6.88 (175)	0.25	0.25
365TC	24.25 (616)	46.25 (1175)	12.06 (306)	16.44 (418)	28.69 (729)	26.19 (665)	11.19 (284)	66.06 (1678)	17.00 (432)	12	1.00 (25)	17.75 (451)	16	1.25 (32)	17.50 (445)	6.88 (175)	0.25	0.25
404TC	24.25 (616)	46.25 (1175)	12.06 (306)	16.44 (418)	32.50 (826)	26.19 (665)	11.19 (284)	69.88 (1775)	17.00 (432)	12	1.00 (25)	17.75 (451)	16	1.25 (32)	18.44 (468)	8.25 (210)	0.25	0.25
405TC	24.25 (616)	46.25 (1175)	12.06 (306)	16.44 (418)	32.50 (826)	26.19 (665)	11.19 (284)	69.88 (1775)	17.00 (432)	12	1.00 (25)	17.75 (451)	16	1.25 (32)	18.44 (468)	8.25 (210)	0.25	0.25
444TC	24.25 (616)	46.25 (1175)	12.06 (306)	16.44 (418)	47.88 (1216)	27.44 (697)	11.19 (284)	86.50 (2197)	17.00 (432)	12	1.00 (25)	17.75 (451)	16	1.25 (32)	22.69 (576)	9.50 (241)	0.25	0.25
445TC	24.25 (616)	46.25 (1175)	12.06 (306)	16.44 (418)	47.88 (1216)	27.44 (697)	11.19 (284)	86.50 (2197)	17.00 (432)	12	1.00 (25)	17.75 (451)	16	1.25 (32)	22.69 (576)	9.50 (241)	0.25	0.25
447TC	24.25 (616)	46.25 (1175)	12.06 (306)	16.44 (418)	47.88 (1216)	27.44 (697)	11.19 (284)	86.50 (2197)	17.00 (432)	12	1.00 (25)	17.75 (451)	16	1.25 (32)	22.69 (576)	9.50 (241)	0.25	0.25

Dimensions are subject to change. Not to be used for construction purposes unless certified.



12x12x13 Series e-80SC Centrifugal Pump Submittal - Flange Support Mounting

DIMENSIONS - Inches (mm)

TC SHAFT MOTORS

MOTOR FRAME	A	HF BOLTING	HB	2HE BOLTING	HA	HH DIA	E (max)	F	G	H (max)	125# ANSI			250# ANSI			R	V (min)	Suct/Disch Gauge Taps (NPT)	Drain Tap (NPT)
											J	N	P	J	N	P				
286TC	24.25 (616)	46.73 (1187)	50.23 (1276)	28.50 (724)	32.00 (813)	1.13 (29)	23.38 (594)	23.88 (606)	11.19 (284)	58.44 (1484)	17.00 (432)	12	1.00 (25)	17.75 (451)	16	1.25 (32)	13.81 (351)	5.75 (146)	0.25	0.25
324TC	24.25 (616)	46.73 (1187)	50.23 (1276)	28.50 (724)	32.00 (813)	1.13 (29)	25.94 (659)	26.19 (665)	11.19 (284)	63.31 (1608)	17.00 (432)	12	1.00 (25)	17.75 (451)	16	1.25 (32)	15.38 (391)	6.25 (159)	0.25	0.25
326TC	24.25 (616)	46.73 (1187)	50.23 (1276)	28.50 (724)	32.00 (813)	1.13 (29)	25.94 (659)	26.19 (665)	11.19 (284)	63.31 (1608)	17.00 (432)	12	1.00 (25)	17.75 (451)	16	1.25 (32)	15.38 (391)	6.25 (159)	0.25	0.25
364TC	24.25 (616)	46.73 (1187)	50.23 (1276)	28.50 (724)	32.00 (813)	1.13 (29)	28.69 (729)	26.19 (665)	11.19 (284)	66.06 (1678)	17.00 (432)	12	1.00 (25)	17.75 (451)	16	1.25 (32)	17.50 (445)	6.88 (175)	0.25	0.25
365TC	24.25 (616)	46.73 (1187)	50.23 (1276)	28.50 (724)	32.00 (813)	1.13 (29)	28.69 (729)	26.19 (665)	11.19 (284)	66.06 (1678)	17.00 (432)	12	1.00 (25)	17.75 (451)	16	1.25 (32)	17.50 (445)	6.88 (175)	0.25	0.25
404TC	24.25 (616)	46.73 (1187)	50.23 (1276)	28.50 (724)	32.00 (813)	1.13 (29)	32.50 (826)	26.19 (665)	11.19 (284)	69.88 (1775)	17.00 (432)	12	1.00 (25)	17.75 (451)	16	1.25 (32)	18.44 (468)	8.25 (210)	0.25	0.25
405TC	24.25 (616)	46.73 (1187)	50.23 (1276)	28.50 (724)	32.00 (813)	1.13 (29)	32.50 (826)	26.19 (665)	11.19 (284)	69.88 (1775)	17.00 (432)	12	1.00 (25)	17.75 (451)	16	1.25 (32)	18.44 (468)	8.25 (210)	0.25	0.25
444TC	24.25 (616)	46.73 (1187)	50.23 (1276)	28.50 (724)	32.00 (813)	1.13 (29)	47.88 (1216)	27.44 (697)	11.19 (284)	86.50 (2197)	17.00 (432)	12	1.00 (25)	17.75 (451)	16	1.25 (32)	22.69 (576)	9.50 (241)	0.25	0.25
445TC	24.25 (616)	46.73 (1187)	50.23 (1276)	28.50 (724)	32.00 (813)	1.13 (29)	47.88 (1216)	27.44 (697)	11.19 (284)	86.50 (2197)	17.00 (432)	12	1.00 (25)	17.75 (451)	16	1.25 (32)	22.69 (576)	9.50 (241)	0.25	0.25
447TC	24.25 (616)	46.73 (1187)	50.23 (1276)	28.50 (724)	32.00 (813)	1.13 (29)	47.88 (1216)	27.44 (697)	11.19 (284)	86.50 (2197)	17.00 (432)	12	1.00 (25)	17.75 (451)	16	1.25 (32)	22.69 (576)	9.50 (241)	0.25	0.25

Dimensions are subject to change. Not to be used for construction purposes unless certified.