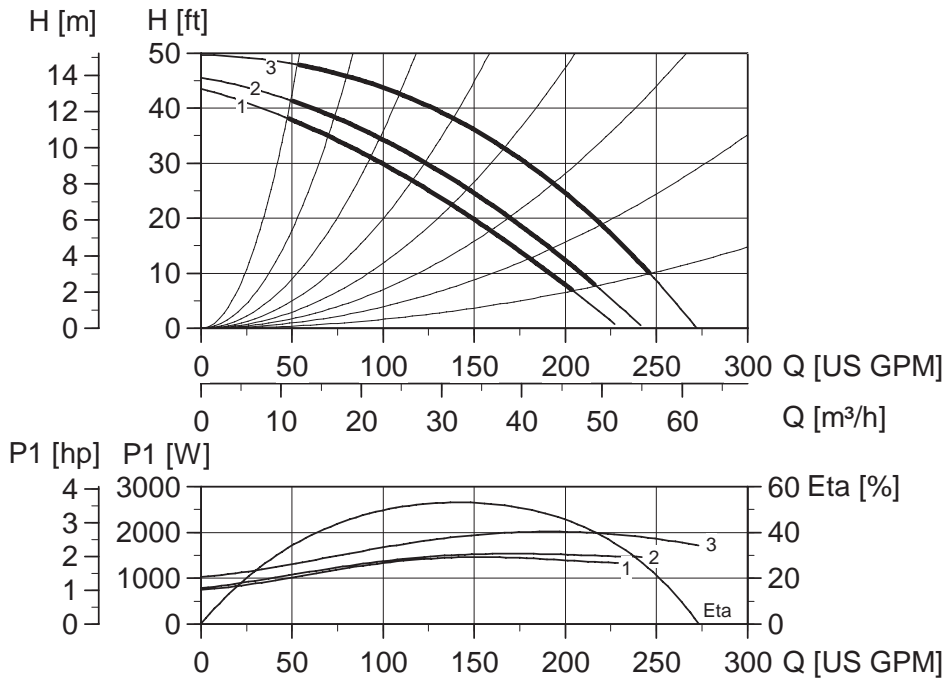


# Performance curves

UPS 80-160/2  
3 phase 208-230 V, 460 V, 575 V★, 60 Hz

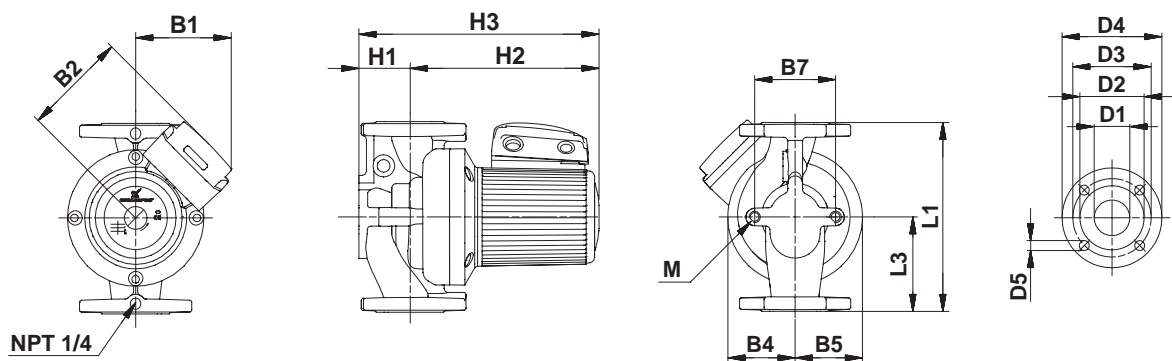
## Performance curves



Note: ETA is calculated as wire-to-water efficiency.

## Weights and volume

	Cast Iron				Bronze			
	lbs.	ft <sup>3</sup>	Kg	m <sup>3</sup>	lbs.	ft <sup>3</sup>	Kg	m <sup>3</sup>
Net weight	85.1		38.6		97.2		44.1	
Gross weight	97.4		44.2		109.6		49.7	
Shipping volume		2.90		0.082		2.90		0.082



## Dimensions

	L1	L3	B1	B2	B4	B5	B7	H1	H2	H3	D1	D2	D3	D4	D5	M
[Inches]	19	9 1/2	5 3/4	6 11/16	3 15/16	3 15/16	6 5/16	3 13/16	11 5/16	15 1/8	3 3/16	5	6	7 9/16	3/4	
[mm]	482.6	241.3	145	169	100	100	160	97	287	384	80.8	127	152	191	19	M16

★Canada only

TM00 9508 0697

TM02 0731 5100