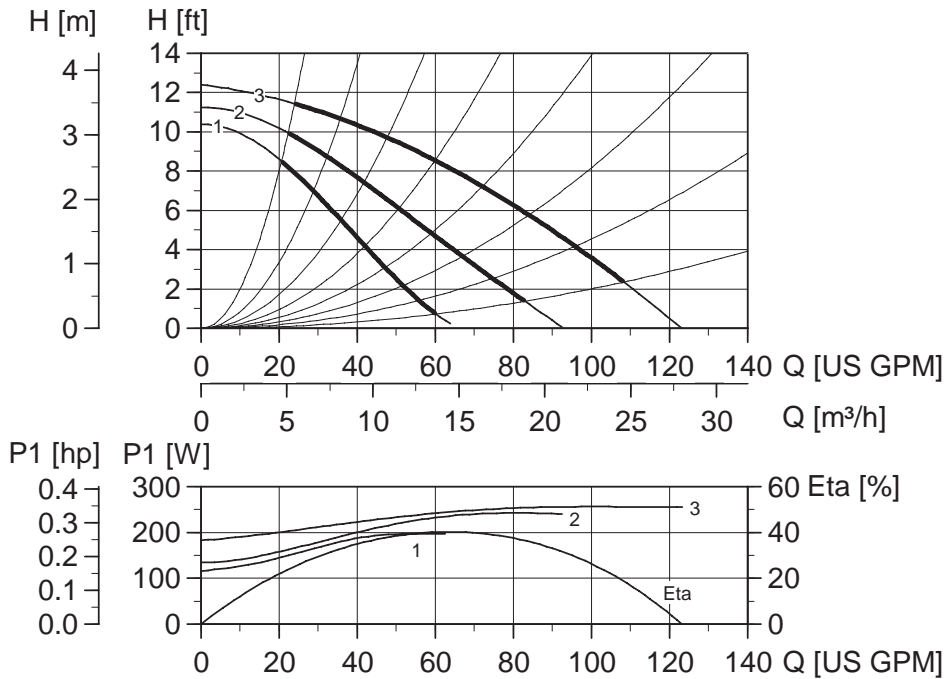


# Performance curves

UPS 50-40/4  
1 phase 115 V, 230 V, 60 Hz

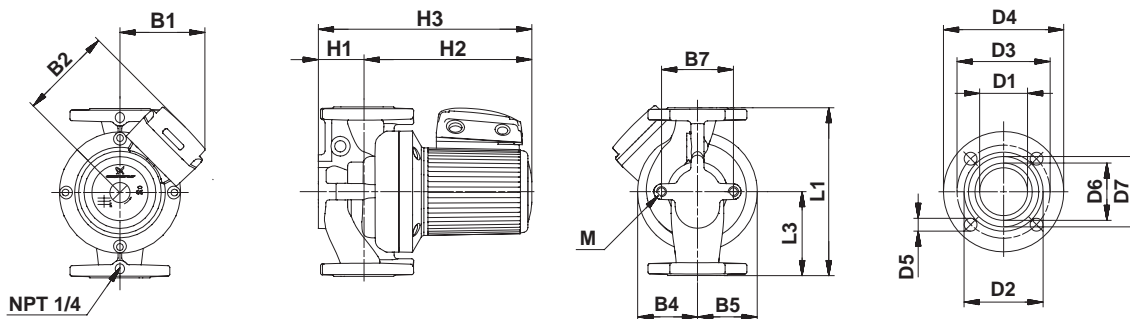
## Performance curves



Note: ETA is calculated as wire-to-water efficiency.

## Weights and volume

	Cast Iron				Bronze			
	lbs.	ft <sup>3</sup>	Kg	m <sup>3</sup>	lbs.	ft <sup>3</sup>	Kg	m <sup>3</sup>
Net weight	43.7		19.8		53.6		24.3	
Gross weight	51.8		23.5		61.7		28	
Shipping volume		1.70		0.048		1.70		0.048



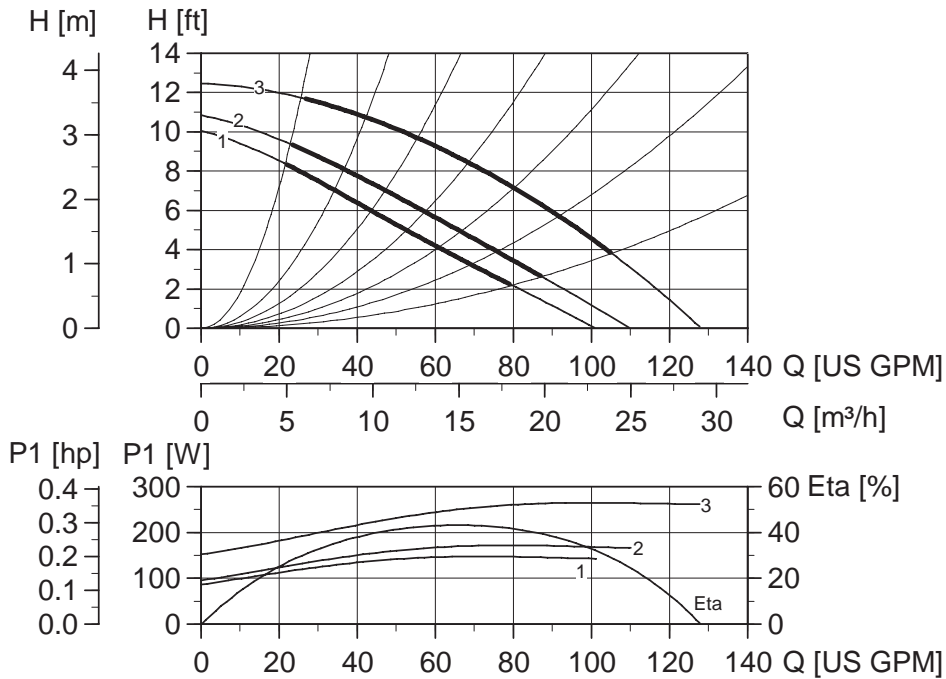
## Dimensions

	L1	L3	B1	B2	B4	B5	B7	H1	H2	H3	D1	D2	D3	D4	D5	D6	D7	M
[Inches]	14	7	5 5/16	5 9/16	3 9/16	3	4 3/4	3 1/4	10 1/8	12 13/16	2 1/8	3 7/16	4 1/16	5 1/4	9/16	2 1/2	3 1/16	
[mm]	355.6	177.8	135	141	90	75	160	82	257	325	53	87.5	103	133	14	63	77.8	M12

# Performance curves

UPS 50-40/4  
3 phase 208-230 V, 460 V, 575 V★, 60 Hz

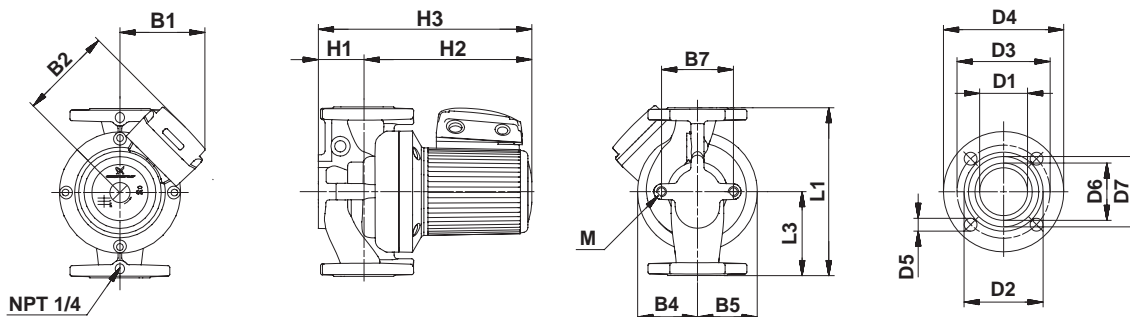
## Performance curves



Note: ETA is calculated as wire-to-water efficiency.

## Weights and volume

	Cast Iron				Bronze			
	lbs.	ft <sup>3</sup>	Kg	m <sup>3</sup>	lbs.	ft <sup>3</sup>	Kg	m <sup>3</sup>
Net weight	43.7		19.8		53.6		24.3	
Gross weight	51.8		23.5		61.7		28	
Shipping volume		1.70		0.048		1.70		0.048



## Dimensions

	L1	L3	B1	B2	B4	B5	B7	H1	H2	H3	D1	D2	D3	D4	D5	D6	D7	M
[Inches]	14	7	5 5/16	5 9/16	3 9/16	3	4 3/4	3 1/4	10 1/8	12 13/16	2 1/8	3 7/16	4 1/16	5 1/4	9/16	2 1/2	3 1/16	
[mm]	355.6	177.8	135	141	90	75	160	82	257	325	53	87.5	103	133	14	63	77.8	M12

★Canada only

TM00 9501 0697

TM02 0730 5100