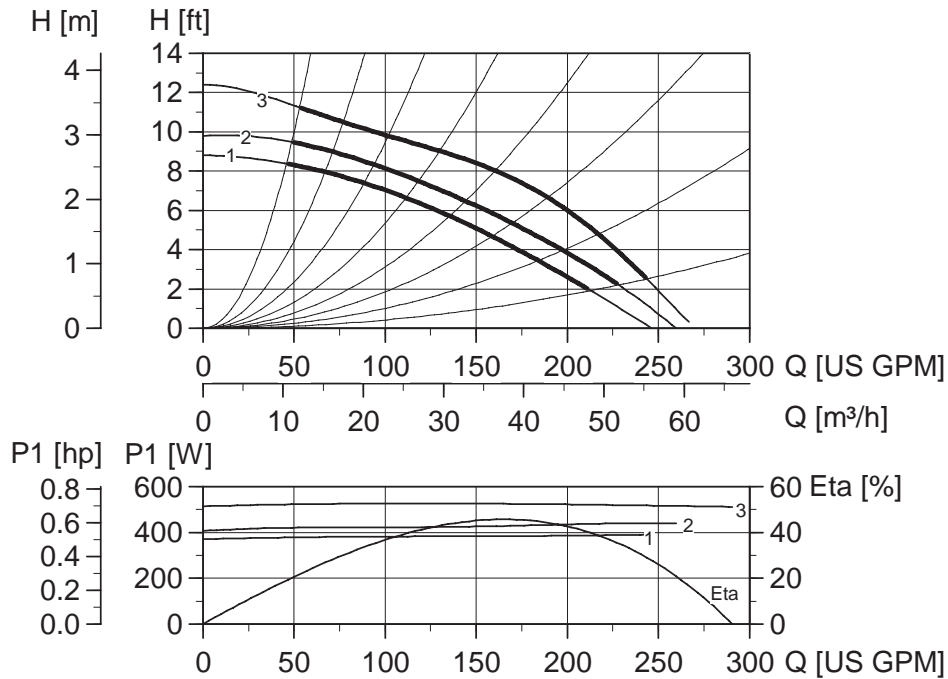


Performance curves

UPS 100-40/4
3 phase 208-230 V, 460 V, 575 V★, 60 Hz

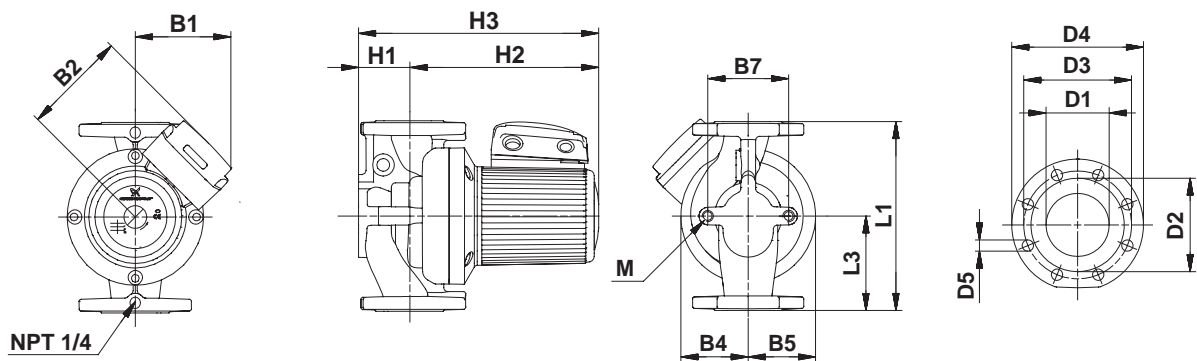
Performance curves



Note: ETA is calculated as wire-to-water efficiency.

Weights and volume

	Cast Iron				Bronze			
	lbs.	ft ³	Kg	m ³	lbs.	ft ³	Kg	m ³
Net weight	126.8		57.5		153.2		69.5	
Gross weight	138.9		63		165.3		75.	
Shipping volume		3.53		0.1		3.53		0.1



Dimensions

	L1	L3	B1	B2	B4	B5	B7	H1	H2	H3	D1	D2	D3	D4	D5	M
[Inches]	21	10 1/2	5 3/4	6 11/16	5 1/8	3 15/16	6 5/16	4 13/16	12 5/16	16 9/16	4 3/16	6 3/16	7 1/2	9 1/16	3/4	
[mm]	533.4	266.7	145	169	130	100	160	122	313	421	105	157	191	229	19	M16

★ Canada only