

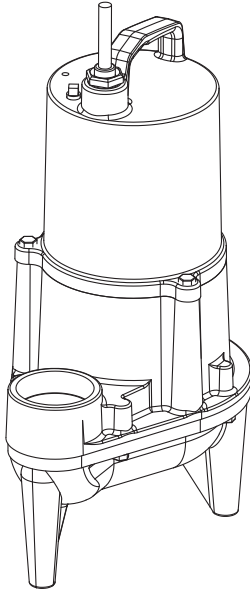
Series SEV412

2" Spherical Solids Handling
Manual & Automatic

BARNES®

www.cranepumps.com

1½", 2" & 3" Discharge



Series: SEV .5HP, 3450RPM, 60Hz



DESCRIPTION:

SUBMERSIBLE NON-CLOG SEWAGE PUMP
DESIGNED FOR TYPICAL RAW SEWAGE
APPLICATIONS

DISCHARGE	2" NPT, Female, Vertical
LIQUID TEMPERATURE	77°F (25°C) Continuous
MOTOR HOUSING	Cast Iron
PUMP BODY	Cast Iron
IMPELLER: Design	Multi-Vane, Vortex
Material	Cast Iron
SHAFT	416 Stainless Steel
O-RINGS	Buna-N
HARDWARE	300 Series Stainless Steel
PAINT	Air Dry Enamel
CORD ENTRY	20 ft. (6m) Quick Disconnect Cord with plug on 115 Volt, Pressure Grommet for sealing and strain relief
SEAL: Design	Single Mechanical, Oil Filled Reservoir
Material	Carbon/Ceramic/Buna-N Hardware -300 Series Stainless
SPEED	3450 RPM (Nominal)
UPPER BEARING	Single Row, Ball, Oil Lubricated
LOWER BEARING	Single Row, Ball, Oil Lubricated
MOTOR: Design	Oil Filled
Insulation	Class B
SINGLE PHASE	Permanent Split Capacitor (PSC) Includes Overload Protection in Motor
LEVEL CONTROL:	
SEV412	None
SEV412A	Wide Angle, Mechanical, 20 ft (6m) cord Pipe Mounted
SEV412VF	Vertical Float, PVC, Snap Action
SEV412VFT	Attached Vertical Float, PVC, Snap Action
SEV412AT	Wide Angle, Mechanical, 20 ft (6m) cord Pump Mounted
RECOMMENDED:	
Accessories	Break Away Fitting (BAF) Check Valve Control Panel

SECTION 1B
PAGE 10
DATE 2/15

CRANE®

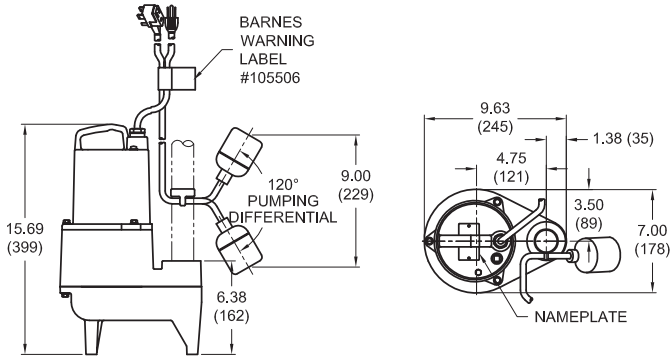
A Crane Co. Company

PUMPS & SYSTEMS

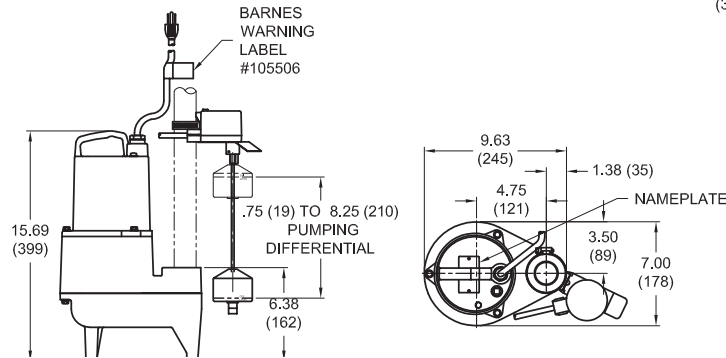
USA: (937) 778-8947 • Canada: (905) 457-6223 • International: (937) 615-3598

inches
(mm)

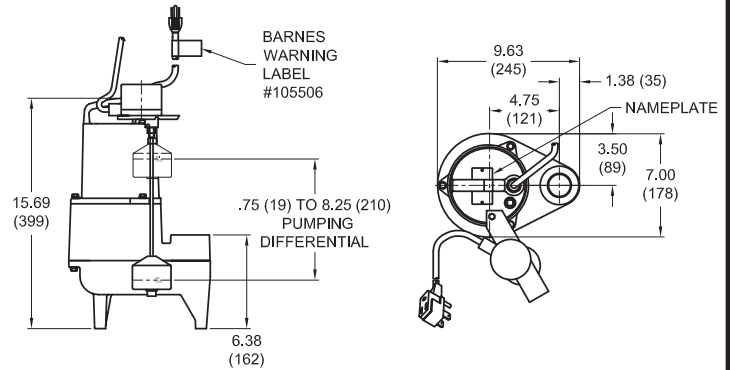
SEV412A
SEV412 (Less Float)
SEV412AT (Attached to Motor Housing)



SEV412VF



SEV412VFT



MODEL NO	PART NO	HP	VOLT/PH	Hz	RPM (Nom)	NEMA START CODE	FULL LOAD AMPS	LOCKED ROTOR AMPS	CORD LENGTH	CORD SIZE	CORD TYPE
SEV412	101292	0.5	115/1	60	3450	H	10.50	18.6	20 ft. (6m)	14/3	SJTOW
SEV412A	101293	0.5	115/1	60	3450	H	10.50	18.6	20 ft. (6m)	14/3	SJTOW
SEV412VF	101294	0.5	115/1	60	3450	H	10.50	18.6	20 ft. (6m)	14/3	SJTOW
SEV412AT	103544	0.5	115/1	60	3450	H	10.50	18.6	20 ft. (6m)	14/3	SJTOW
SEV412VFT	110404	0.5	115/1	60	3450	H	10.50	18.6	20 ft. (6m)	14/3	SJTOW

IMPORTANT !

- 1.) PUMP MAY BE OPERATED "DRY" FOR EXTENDED PERIODS WITHOUT DAMAGE TO MOTOR AND/OR SEALS.
- 2.) INSTALLATIONS SUCH AS DECORATIVE FOUNTAINS OR WATER FEATURES PROVIDED FOR VISUAL ENJOYMENT MUST BE INSTALLED IN ACCORDANCE WITH THE NATIONAL ELECTRIC CODE ANSI/NFPA 70 AND/OR THE AUTHORITY HAVING JURISDICTION. THIS PUMP IS NOT INTENDED FOR USE IN SWIMMING POOLS, RECREATIONAL WATER PARKS, OR INSTALLATIONS IN WHICH HUMAN CONTACT WITH PUMPED MEDIA IS A COMMON OCCURRENCE.

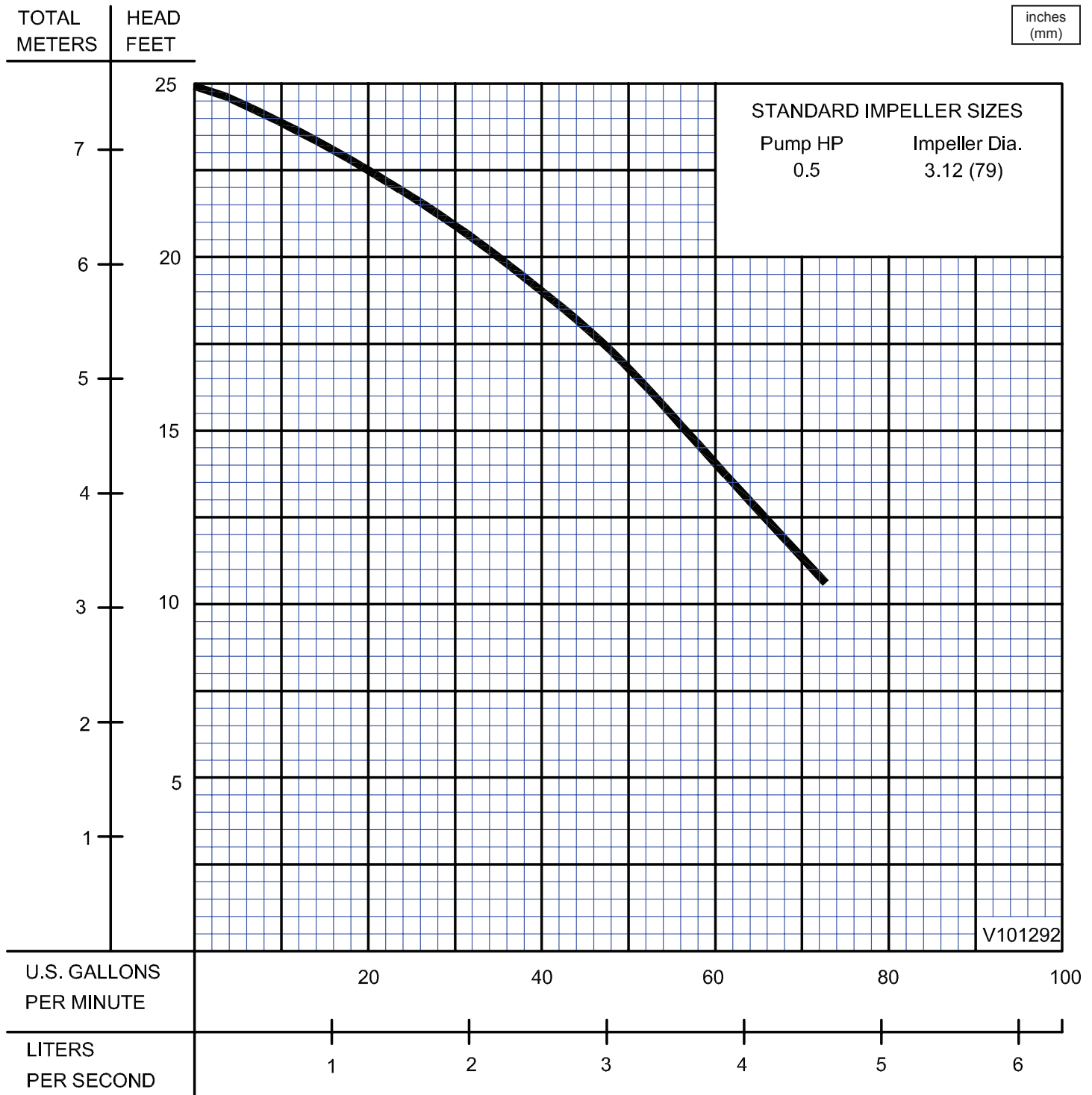
Series SEV412

Performance Curve
.5HP, 3450RPM, 60Hz

BARNES®

www.cranepumps.com

1½", 2" & 3" Discharge



Testing is performed with water, specific gravity 1.0 @ 68° F @ (20°C), other fluids may vary performance

SECTION 1B
PAGE 12
DATE 3/13

CRANE®

A Crane Co. Company

PUMPS & SYSTEMS

USA: (937) 778-8947 • Canada: (905) 457-6223 • International: (937) 615-3598