

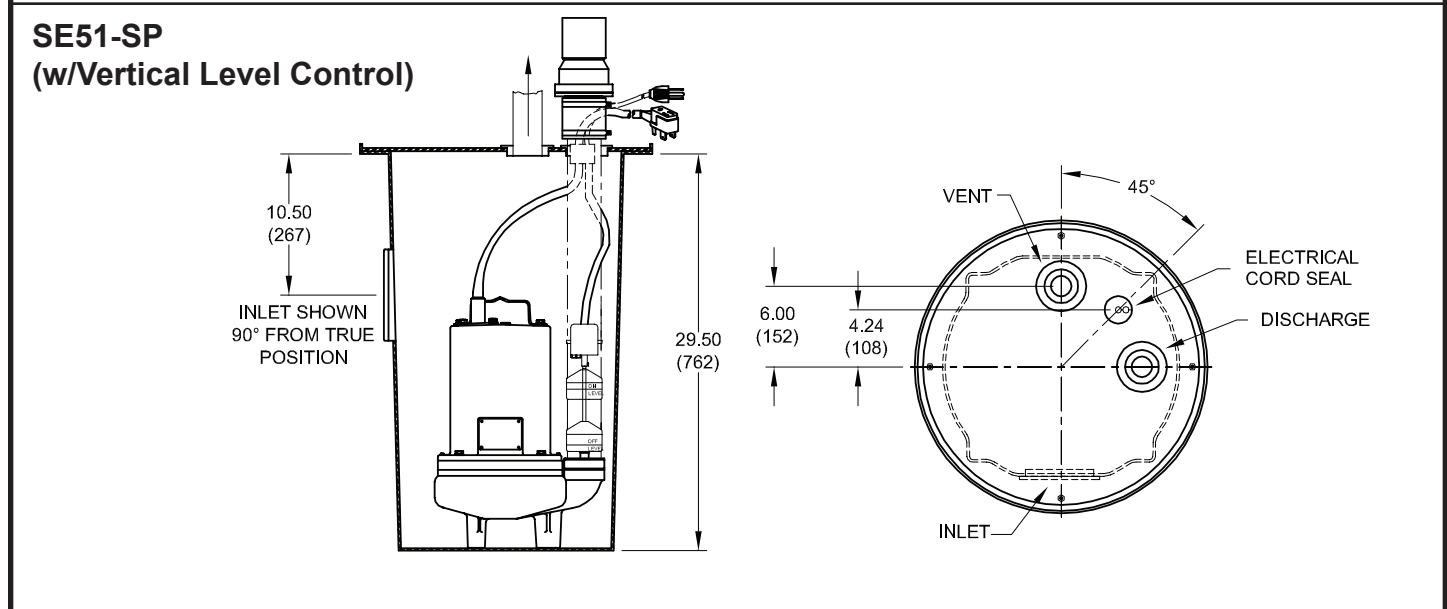
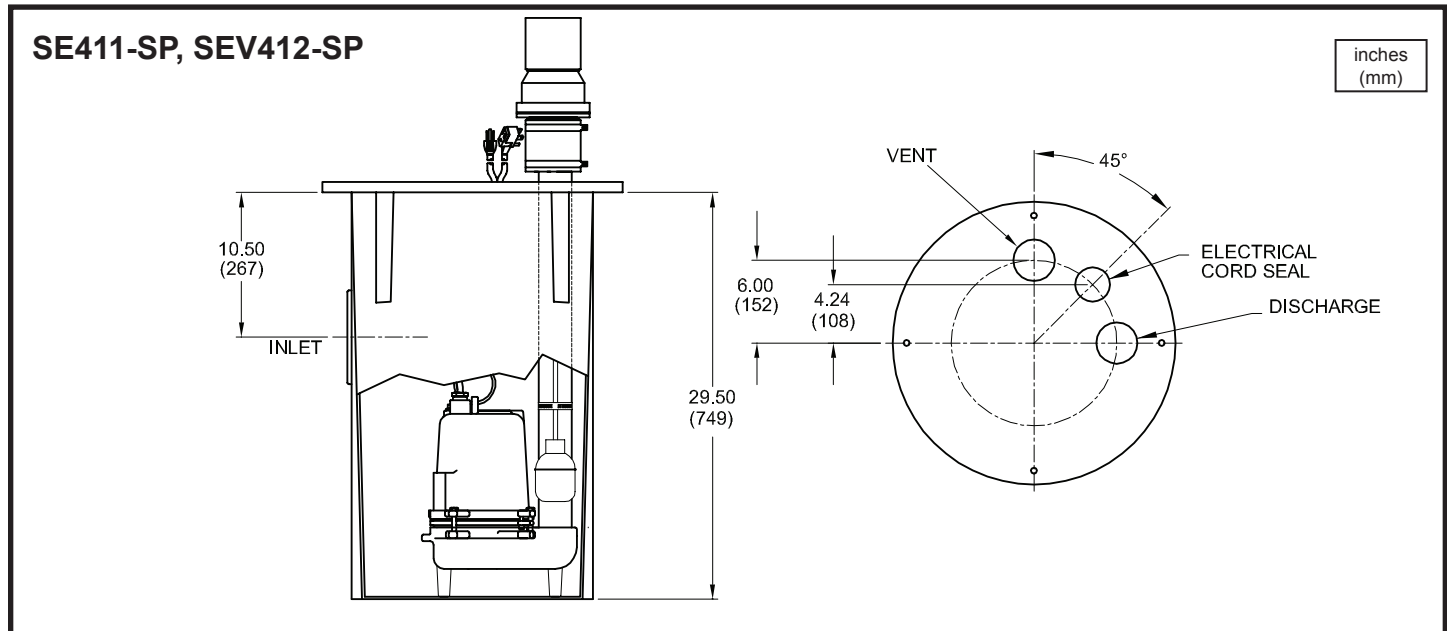
Series SE-SP

Simplex Sewage Package Systems
Un-Assembled

BARNES®

www.cranepumps.com

1½", 2" & 3" Discharge



MODEL NO	PART NO	DISCHARGE SIZE inch (mm)	VENT SIZE inch (mm)	INLET SIZE inch (mm)
SE411-SP	084283B	2" (51)	2" (51)	4" (102)
SE51-SP	105086	2" (51)	2" (51)	4" (102)
SEV412-SP	105367	2" (51)	2" (51)	4" (102)

IMPORTANT !

- 1.) PUMP MAY BE OPERATED "DRY" FOR EXTENDED PERIODS WITHOUT DAMAGE TO MOTOR AND/OR SEALS.
- 2.) INSTALLATIONS SUCH AS DECORATIVE FOUNTAINS OR WATER FEATURES PROVIDED FOR VISUAL ENJOYMENT MUST BE INSTALLED IN ACCORDANCE WITH THE NATIONAL ELECTRIC CODE ANSI/NFPA 70 AND/OR THE AUTHORITY HAVING JURISDICTION. THIS PUMP IS NOT INTENDED FOR USE IN SWIMMING POOLS, RECREATIONAL WATER PARKS, OR INSTALLATIONS IN WHICH HUMAN CONTACT WITH PUMPED MEDIA IS A COMMON OCCURRENCE.

SECTION 1B
PAGE 20
DATE 3/14

CRANE®

A Crane Co. Company

PUMPS & SYSTEMS

USA: (937) 778-8947 • Canada: (905) 457-6223 • International: (937) 615-3598