

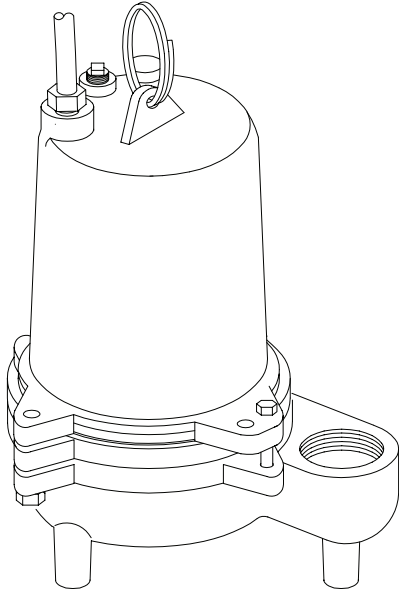
# Series SE-HT

2" Spherical Solids Handling  
High Temperature - Manual & Automatic

# BARNES®

www.cranepumps.com

## 1½", 2" & 3" Discharge



**DISCHARGE** ..... 2" NPT, Female, Vertical  
**LIQUID TEMPERATURE** ..... 200°F (93°C) Continuous  
**VOLUTE** ..... Cast Iron ASTM A-48, Class 30  
**MOTOR HOUSING** ..... Cast Iron ASTM A-48, Class 30  
**SEAL PLATE** ..... Cast Iron ASTM A-48, Class 30  
**IMPELLER: Design** ..... 2 Vane, Open with pump out vanes on back side, Dynamically Balanced, ISO G6.3  
*Material* ..... Cast Iron ASTM A-48, Class 30  
**SHAFT** ..... 416 Stainless Steel  
**SQUARE RINGS** ..... Buna-N  
**HARDWARE** ..... 300 Series Stainless Steel  
**PAINT** ..... Air Dry Enamel  
**SEAL:** *Design* ..... Single Mechanical, Oil Filled Reservoir, Secondary Exclusion Seal  
*Material* ..... Carbon/Ceramic/Buna-N  
Hardware -300 Series Stainless  
**CORD ENTRY** ..... 15 ft. (5m) Cord with plug On 115 volt, Pressure Grommet for sealing and strain relief  
**SPEED** ..... 1750 RPM (Nominal)  
**UPPER BEARING** ..... Single Row, Ball, Oil Lubricated  
*Load* ..... Radial  
**LOWER BEARING** ..... Single Row, Ball, Oil Lubricated  
*Load* ..... Radial & Thrust  
**MOTOR:** *Design* ..... NEMA L Torque Curve, Oil Filled, Squirrel Cage Induction  
*Insulation* ..... Class F  
**SINGLE PHASE** ..... Permanent Split Capacitor (PSC)  
Includes Overload Protection in Motor  
**LEVEL CONTROL** ..... "A" - Wide Angle, PVC, Mechanical, 15 ft (5m) cord with Piggy-Back Plug, N/O  
"AU"- Wide Angle, Polypropylene, Mechanical, N/O, Integral to pump.  
ON and OFF Points are adjustable  
**OPTIONAL EQUIPMENT** ..... Seal Material, Additional Cord, Strainer

### RECOMMENDED:

*Accessories* ..... Break Away Fitting (BAF)  
Check Valve  
Control Panel  
*Seal Kit PN* ..... 085202  
*Service Kit PN*.085201

**Series: SE-HT (SE411HT & SE421HT)**  
**.4HP, 1750RPM, 60Hz**



Sample Specifications: Section 1 Page 4.

### DESCRIPTION:

SUBMERSIBLE NON-CLOG SEWAGE PUMP  
DESIGNED FOR **HIGH TEMPERATURE** RAW  
SEWAGE APPLICATIONS

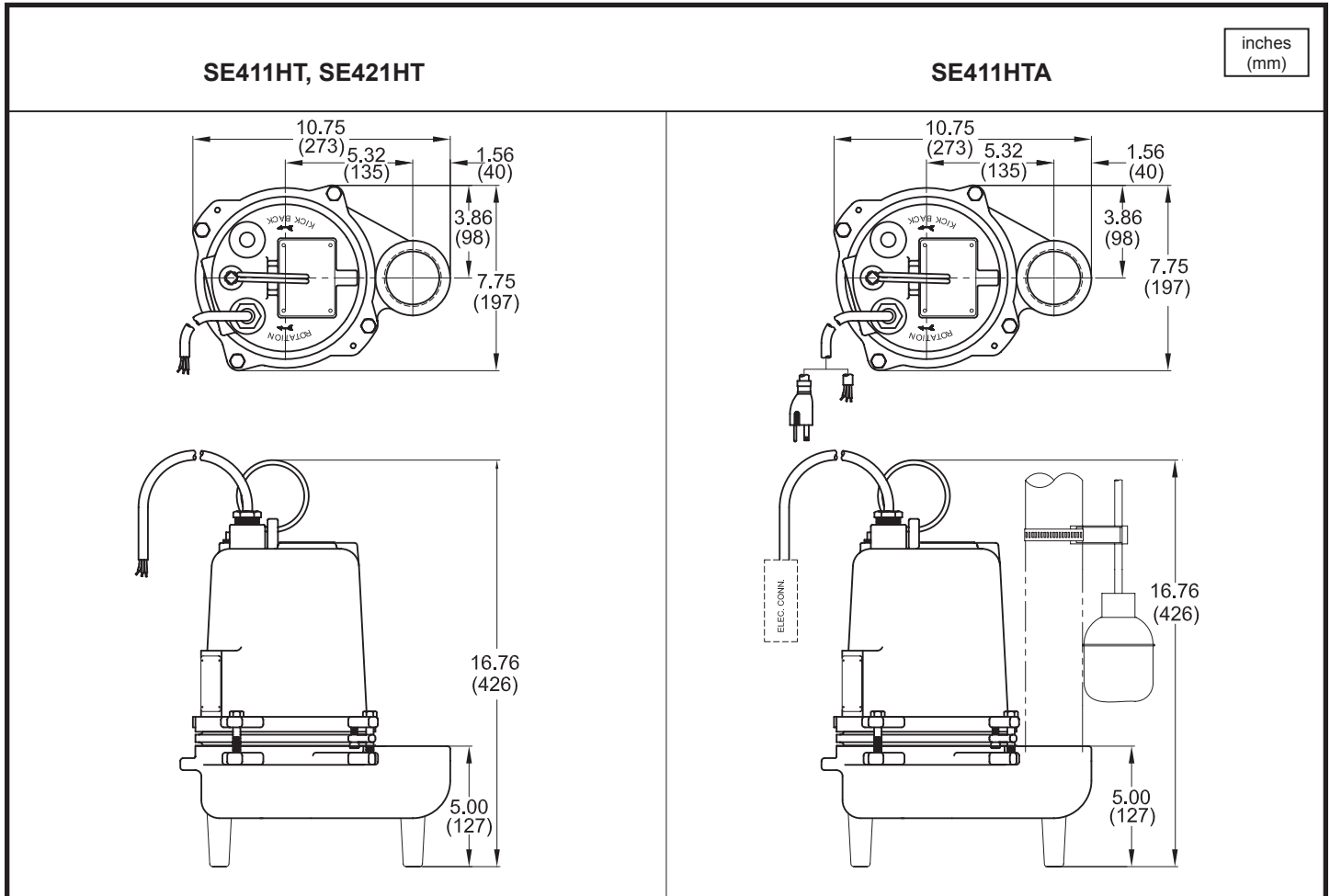
SECTION 1B  
PAGE 4  
DATE 6/10

**CRANE**®

A Crane Co. Company

## PUMPS & SYSTEMS

USA: (937) 778-8947 • Canada: (905) 457-6223 • International: (937) 615-3598



| MODEL NO | PART NO | HP  | VOLT | PH/Hz  | RPM (Nom) | NEMA START CODE | FULL LOAD AMPS | LOCKED ROTOR AMPS | CORD SIZE | CORD TYPE | CORD O.D inch (mm) |
|----------|---------|-----|------|--------|-----------|-----------------|----------------|-------------------|-----------|-----------|--------------------|
| SE411HT  | 096764  | 0.4 | 115  | 1 / 60 | 1750      | A               | 10.0           | 26.0              | 14/3      | SOOW      | 0.560 (14.2)       |
| SE411HTA | 096765  | 0.4 | 115  | 1 / 60 | 1750      | A               | 10.0           | 26.0              | 14/3      | SOOW      | 0.560 (14.2)       |
| SE421HT  | 096767  | 0.4 | 230  | 1 / 60 | 1750      | A               | 4.0            | 13.0              | 14/3      | SOOW      | 0.560 (14.2)       |

Mechanical Switch on SE-HTA, cord 14/2, SJOW, 0.370 (9.4mm) O.D. Piggy-Back Plug  
Mechanical Switch on SE-HTAU, cord 14/2, SJOW, 0.370 (9.4mm) O.D.

**IMPORTANT !**

- 1.) PUMP MAY BE OPERATED "DRY" FOR EXTENDED PERIODS WITHOUT DAMAGE TO MOTOR AND/OR SEALS.
- 2.) INSTALLATIONS SUCH AS DECORATIVE FOUNTAINS OR WATER FEATURES PROVIDED FOR VISUAL ENJOYMENT MUST BE INSTALLED IN ACCORDANCE WITH THE NATIONAL ELECTRIC CODE ANSI/NFPA 70 AND/OR THE AUTHORITY HAVING JURISDICTION. THIS PUMP IS NOT INTENDED FOR USE IN SWIMMING POOLS, RECREATIONAL WATER PARKS, OR INSTALLATIONS IN WHICH HUMAN CONTACT WITH PUMPED MEDIA IS A COMMON OCCURRENCE.
- 3.) MUST USE A **HIGH TEMPERATURE** WIDE ANGLE LEVEL CONTROL IN HIGH TEMPERATURE APPLICATIONS.

# Series SE-HT

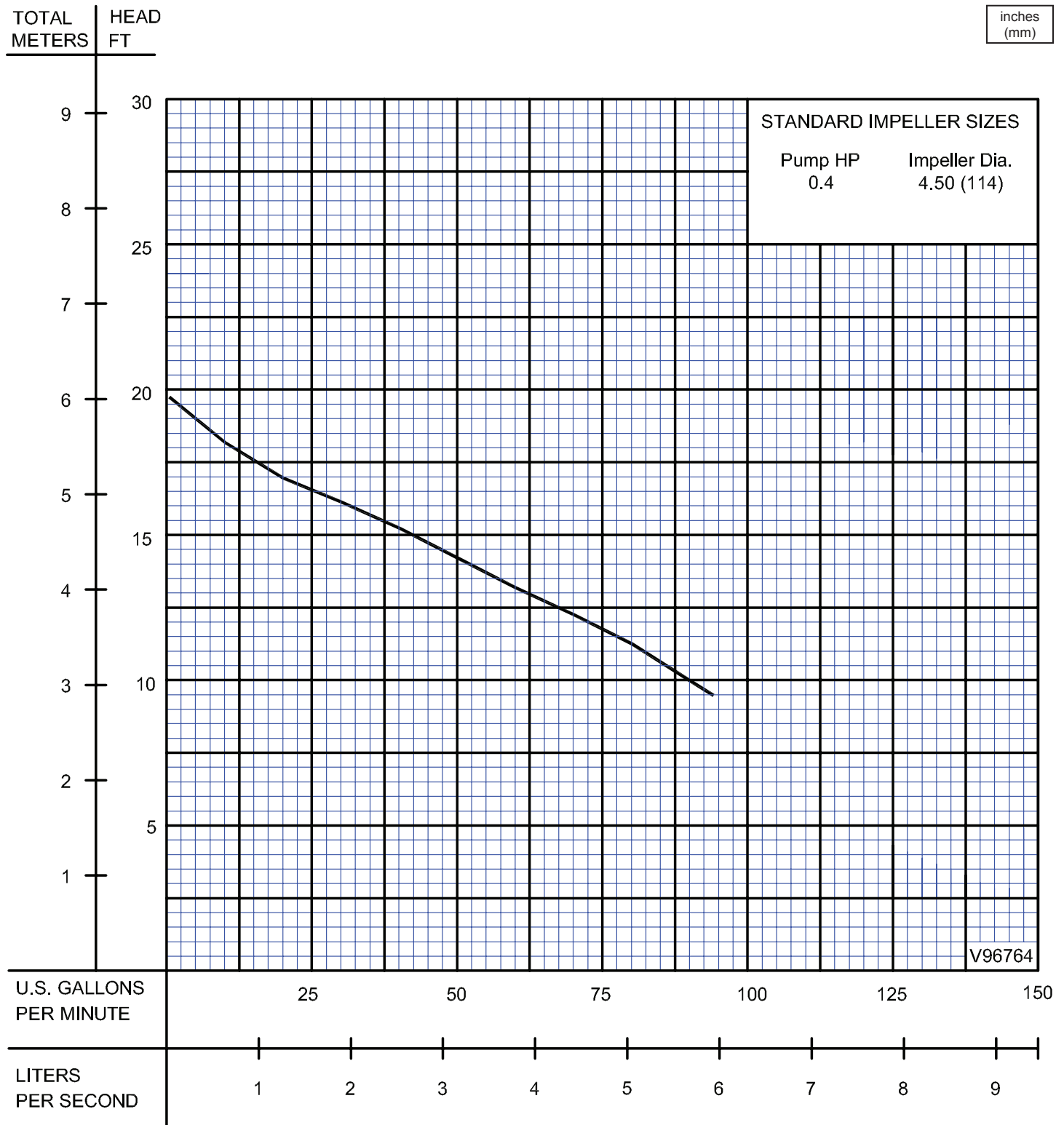
Performance Curve

.4HP, 1750RPM, 60Hz, High Temperature

# BARNES®

www.cranepumps.com

## 1½", 2" & 3" Discharge



Testing is performed with water, specific gravity 1.0 @ 68° F @ (20°C), other fluids may vary performance

SECTION 1B  
PAGE 6  
DATE 6/04

# CRANE®

A Crane Co. Company

## PUMPS & SYSTEMS

USA: (937) 778-8947 • Canada: (905) 457-6223 • International: (937) 615-3598

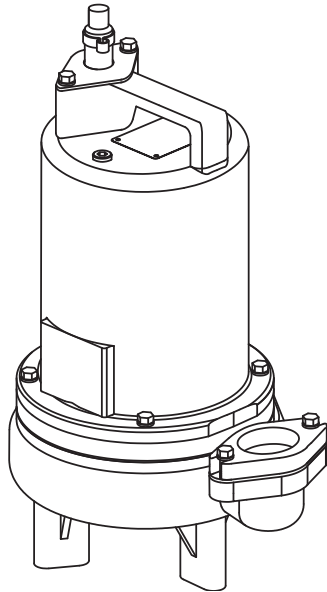
# Series SE-HT

2" Spherical Solids Handling  
High Temperature - Manual & Automatic

# BARNES®

www.cranepumps.com

## 1½", 2" & 3" Discharge



**Series: SE (SE51HT & SE52HT)**  
**.5 HP, 1750RPM, 60Hz**



Sample Specifications: Section 1 Page 6.

### DESCRIPTION:

SUBMERSIBLE NON-CLOG SEWAGE PUMP  
DESIGNED FOR **HIGH TEMPERATURE** RAW  
SEWAGE APPLICATIONS

|                           |  |
|---------------------------|--|
| <b>DISCHARGE</b>          | .....2" NPT, Female, Vertical, Bolt-on Flange  |
| <b>LIQUID TEMPERATURE</b> | .....200°F (98°C) Continuous   |
| <b>VOLUTE</b>             | .....Cast Iron ASTM A-48, Class 30   |
| <b>MOTOR HOUSING</b>      | .....Cast Iron ASTM A-48, Class 30   |
| <b>SEAL PLATE</b>         | .....Cast Iron ASTM A-48, Class 30   |
| <b>IMPELLER: Design</b>   | .....2 Vane, open, with pump out vanes on back side. Dynamically balanced, ISO G6.3                          |
| <i>Material</i>           | .....Cast Iron ASTM A-48, Class 30   |
| <b>SHAFT</b>              | .....416 Stainless Steel   |
| <b>SQUARE RINGS</b>       | .....Buna-N  |
| <b>HARDWARE</b>           | .....300 Series Stainless Steel  |
| <b>PAINT</b>              | .....Air Dry Enamel  |
| <b>SEAL: Design</b>       | .....Single Mechanical   |
| <i>Material</i>           | .....Carbon/Ceramic/Buna-N   |
|                           | Hardware -300 Series Stainless   |
| <b>CORD ENTRY</b>         | .....15 ft. (5m) Cord with plug on 120 & 240 Volt, Quick connect custom molded for sealing and strain relief |
| <b>SPEED</b>              | .....1750 RPM (Nominal)  |
| <b>UPPER BEARING</b>      | .....Single Row, Ball, Oil lubricated  |
| <i>Load</i>               | .....Radial  |
| <b>LOWER BEARING</b>      | .....Single Row, Ball, Oil lubricated  |
| <i>Load</i>               | .....Radial & Thrust   |
| <b>MOTOR: Design</b>      | .....NEMA L -Single Phase Torque Curve   |
|                           | Oil Filled, Squirrel Cage Induction  |
| <i>Insulation</i>         | .....Class F   |
| <b>SINGLE PHASE</b>       | .....Includes Overload Protection in Motor   |
| <b>LEVEL CONTROL</b>      | ....."A" - Wide Angle, PVC, Mechanical, 15 ft (5m) cord with Piggy-Back Plug, N/O                            |
|                           | "AU"- Wide Angle, Polypropylene, Mechanical, N/O Integral to pump. ON and OFF Points are adjustable          |
| <b>OPTIONAL EQUIPMENT</b> | .....Seal Material, Impeller Trims, Additional cord, *Inlet Strainer   |

(\* 3/4" Spherical solids handling with optional inlet strainer.)

### RECOMMENDED:

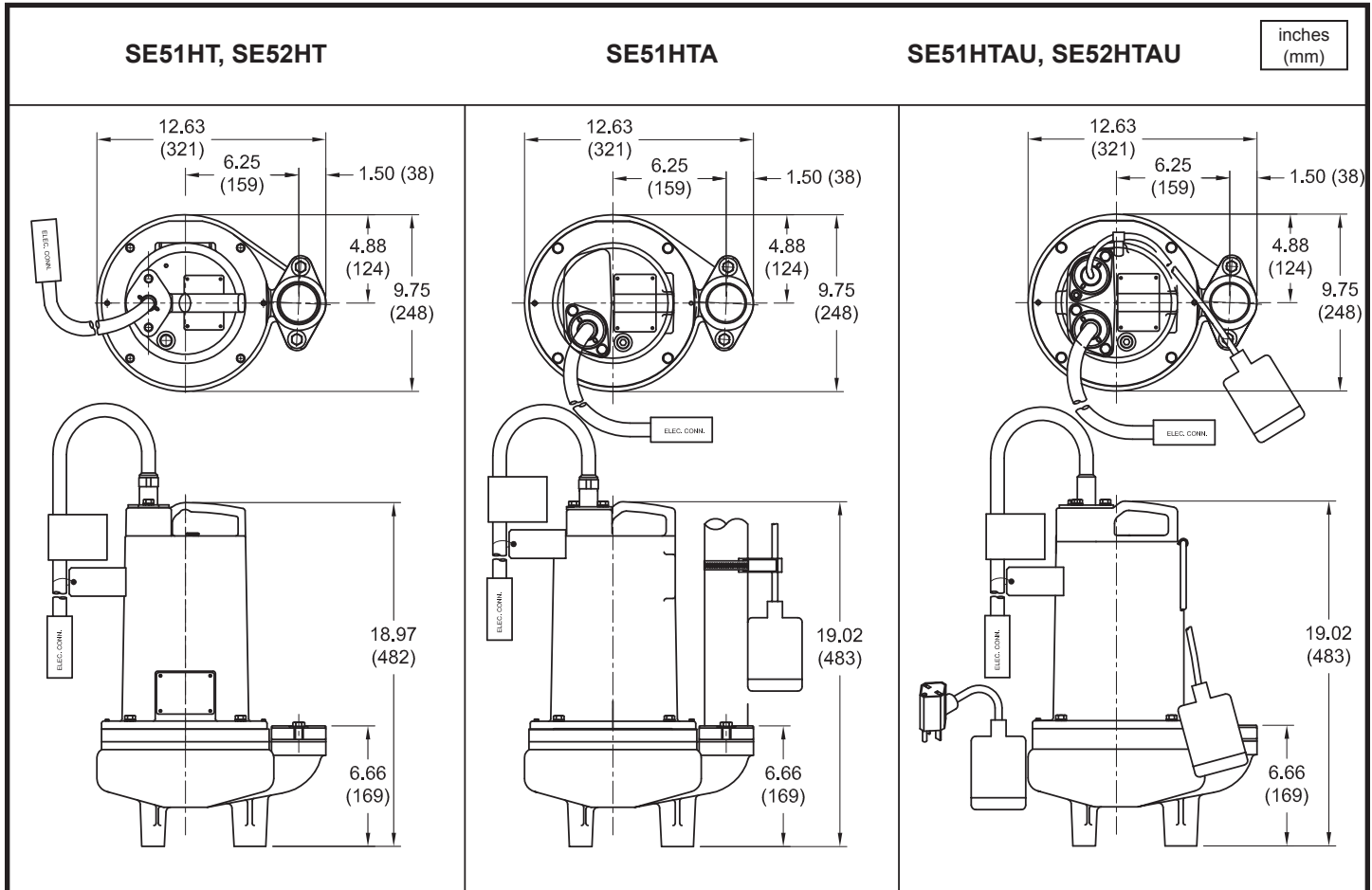
|                       |   |
|-----------------------|---|
| <i>Accessories</i>    | .....Break Away Fitting (BAF)<br>Check Valve<br>Control Panel |
| <i>Seal Kit PN</i>    | .....130180   |
| <i>Service Kit PN</i> | .....130207   |

SECTION 1B  
PAGE 16  
DATE 8/16

**CRANE**  
A Crane Co. Company

## PUMPS & SYSTEMS

USA: (937) 778-8947 • Canada: (905) 457-6223 • International: (937) 615-3598



| MODEL NO | PART NO | HP  | VOLT/PH | Hz | RPM (Nom) | NEMA START CODE | FULL LOAD AMPS | LOCKED ROTOR AMPS | CORD SIZE | CORD TYPE | CORD O.D inch (mm) |
|----------|---------|-----|---------|----|-----------|-----------------|----------------|-------------------|-----------|-----------|--------------------|
| SE51HT   | 104876  | 0.5 | 120/1   | 60 | 1750      | R               | 17.0           | 63.8              | 14/3      | SOW       | 0.530 (13.5)       |
| SE51HTA  | 104877  | 0.5 | 120/1   | 60 | 1750      | R               | 17.0           | 63.8              | 14/3      | SOW       | 0.530 (13.5)       |
| SE51HTAU | 104878  | 0.5 | 120/1   | 60 | 1750      | R               | 17.0           | 63.8              | 14/3      | SOW       | 0.530 (13.5)       |
| SE52HT   | 104879  | 0.5 | 240/1   | 60 | 1750      | R               | 8.5            | 30.1              | 14/3      | SOW       | 0.530 (13.5)       |
| SE52HTAU | 104880  | 0.5 | 240/1   | 60 | 1750      | R               | 8.5            | 30.1              | 14/3      | SOW       | 0.530 (13.5)       |

Mechanical Switch on SE51HTA, cord 16/2, SJOW, 0.320 (8.1mm) O.D. Piggy-Back Plug  
Mechanical Switch on SE51HTAU, cord 14/2, SJOW, 0.345 (8.8mm) O.D.

**IMPORTANT !**

- 1.) PUMP MAY BE OPERATED "DRY" FOR EXTENDED PERIODS WITHOUT DAMAGE TO MOTOR AND/OR SEALS.
- 2.) INSTALLATIONS SUCH AS DECORATIVE FOUNTAINS OR WATER FEATURES PROVIDED FOR VISUAL ENJOYMENT MUST BE INSTALLED IN ACCORDANCE WITH THE NATIONAL ELECTRIC CODE ANSI/NFPA 70 AND/OR THE AUTHORITY HAVING JURISDICTION. THIS PUMP IS NOT INTENDED FOR USE IN SWIMMING POOLS, RECREATIONAL WATER PARKS, OR INSTALLATIONS IN WHICH HUMAN CONTACT WITH PUMPED MEDIA IS A COMMON OCCURRENCE.
- 3.) MUST USE A **HIGH TEMPERATURE** WIDE ANGLE LEVEL CONTROL IN HIGH TEMPERATURE APPLICATIONS.

# Series SE-HT

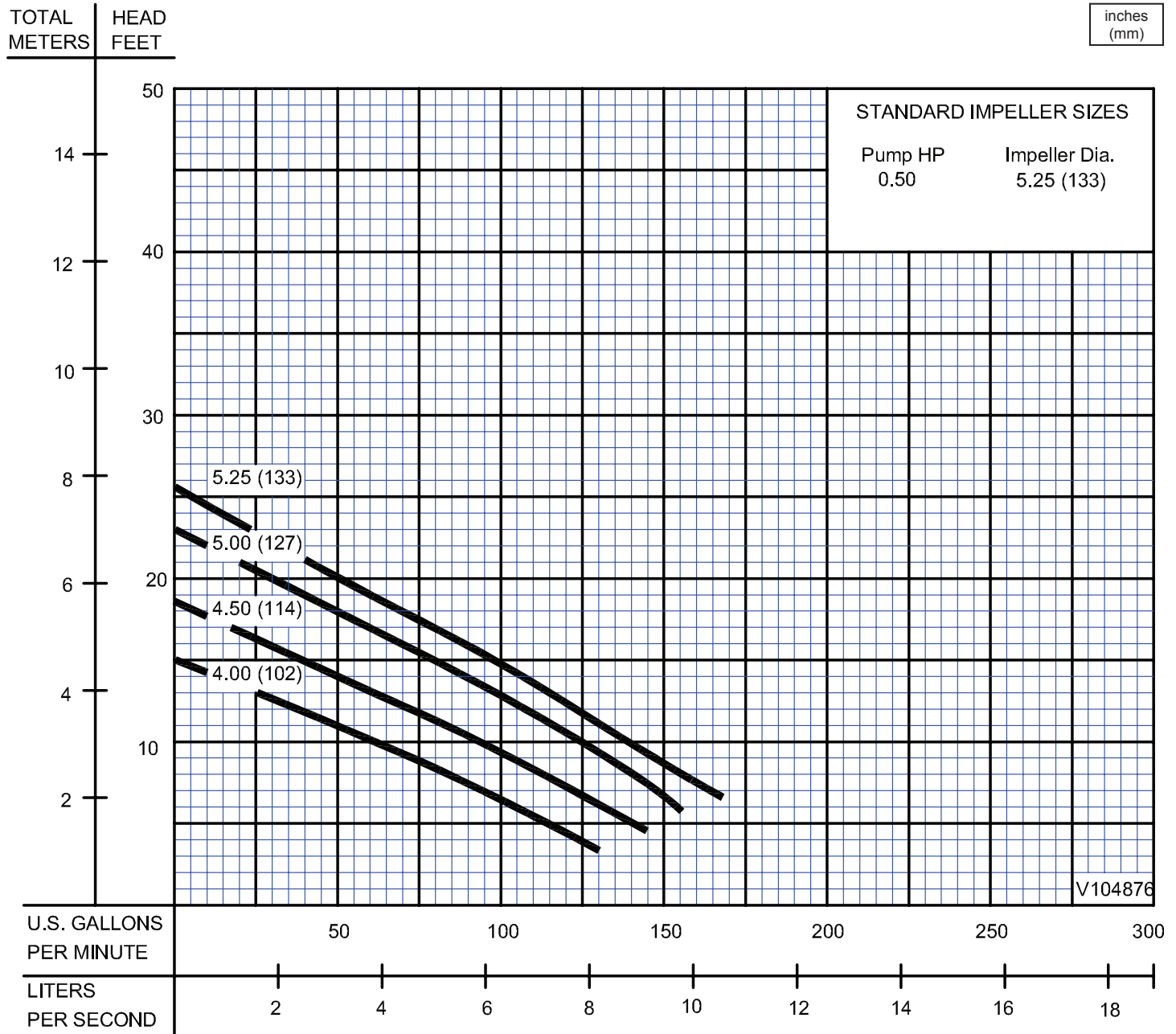
Performance Curve

.5HP, 1750RPM, 60Hz, High Temperature

# BARNES®

www.cranepumps.com

## 1½", 2" & 3" Discharge



Testing is performed with water, specific gravity 1.0 @ 68° F @ (20°C), other fluids may vary performance

SECTION 1B  
PAGE 18  
DATE 6/04

**CRANE**®

A Crane Co. Company

**PUMPS & SYSTEMS**

USA: (937) 778-8947 • Canada: (905) 457-6223 • International: (937) 615-3598