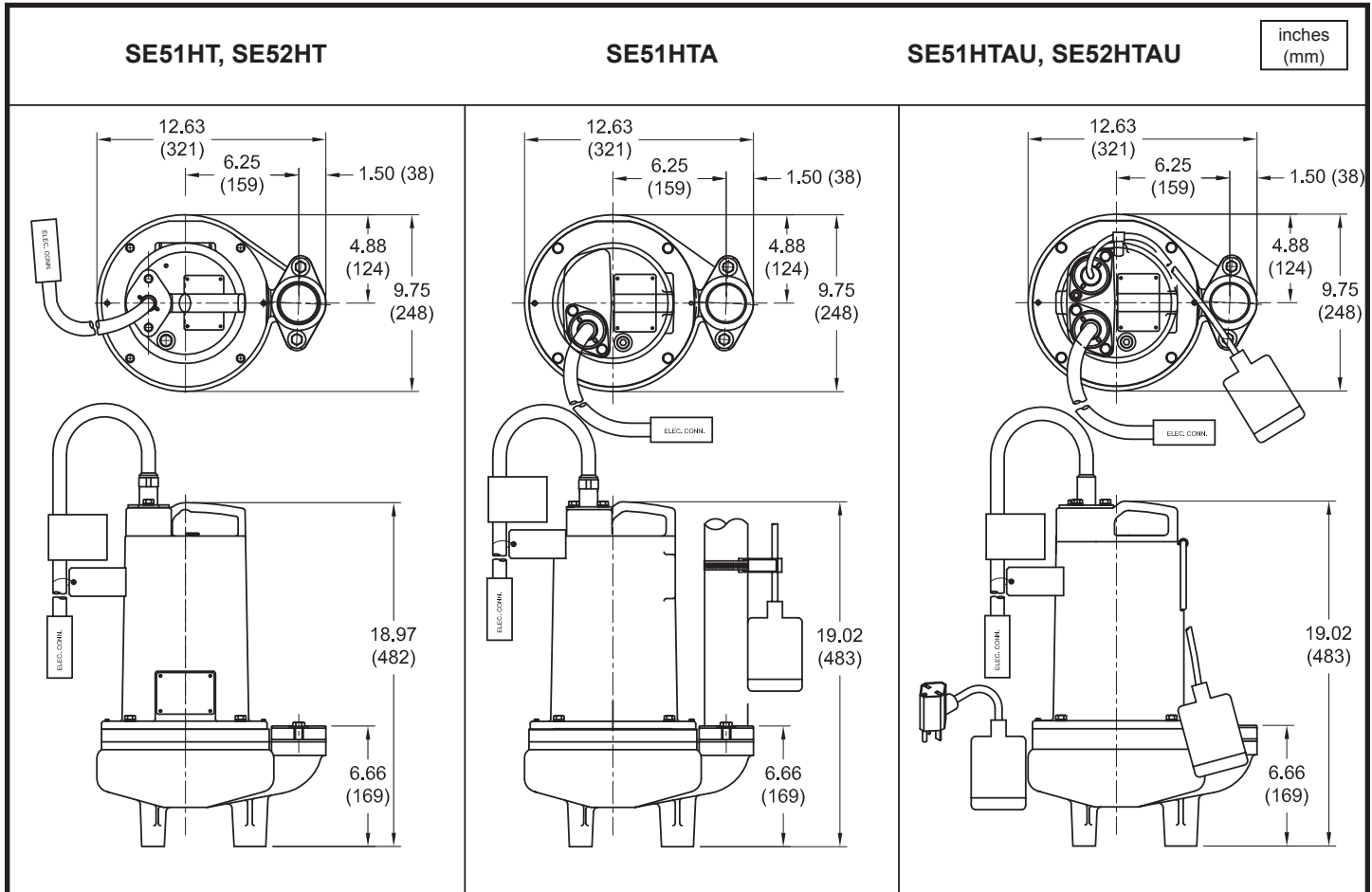


MODEL NO	PART NO	HP	VOLT	PH/Hz	RPM (Nom)	NEMA START CODE	FULL LOAD AMPS	LOCKED ROTOR AMPS	CORD SIZE	CORD TYPE	CORD O.D inch (mm)
SE411HT	096764	0.4	115	1 / 60	1750	A	10.0	26.0	14/3	SOOW	0.560 (14.2)
SE411HTA	096765	0.4	115	1 / 60	1750	A	10.0	26.0	14/3	SOOW	0.560 (14.2)
SE421HT	096767	0.4	230	1 / 60	1750	A	4.0	13.0	14/3	SOOW	0.560 (14.2)

Mechanical Switch on SE-HTA, cord 14/2, SJOW, 0.370 (9.4mm) O.D. Piggy-Back Plug  
Mechanical Switch on SE-HTAU, cord 14/2, SJOW, 0.370 (9.4mm) O.D.

### IMPORTANT !

- 1.) PUMP MAY BE OPERATED "DRY" FOR EXTENDED PERIODS WITHOUT DAMAGE TO MOTOR AND/OR SEALS.
- 2.) INSTALLATIONS SUCH AS DECORATIVE FOUNTAINS OR WATER FEATURES PROVIDED FOR VISUAL ENJOYMENT MUST BE INSTALLED IN ACCORDANCE WITH THE NATIONAL ELECTRIC CODE ANSI/NFPA 70 AND/OR THE AUTHORITY HAVING JURISDICTION. THIS PUMP IS NOT INTENDED FOR USE IN SWIMMING POOLS, RECREATIONAL WATER PARKS, OR INSTALLATIONS IN WHICH HUMAN CONTACT WITH PUMPED MEDIA IS A COMMON OCCURRENCE.
- 3.) MUST USE A **HIGH TEMPERATURE** WIDE ANGLE LEVEL CONTROL IN HIGH TEMPERATURE APPLICATIONS.



MODEL NO	PART NO	HP	VOLT/PH	Hz	RPM (Nom)	NEMA START CODE	FULL LOAD AMPS	LOCKED ROTOR AMPS	CORD SIZE	CORD TYPE	CORD O.D inch (mm)
SE51HT	104876	0.5	120/1	60	1750	R	17.0	63.8	14/3	SOW	0.530 (13.5)
SE51HTA	104877	0.5	120/1	60	1750	R	17.0	63.8	14/3	SOW	0.530 (13.5)
SE51HTAU	104878	0.5	120/1	60	1750	R	17.0	63.8	14/3	SOW	0.530 (13.5)
SE52HT	104879	0.5	240/1	60	1750	R	8.5	30.1	14/3	SOW	0.530 (13.5)
SE52HTAU	104880	0.5	240/1	60	1750	R	8.5	30.1	14/3	SOW	0.530 (13.5)

Mechanical Switch on SE51HTA, cord 16/2, SJOW, 0.320 (8.1mm) O.D. Piggy-Back Plug  
Mechanical Switch on SE51HTAU, cord 14/2, SJOW, 0.345 (8.8mm) O.D.

**IMPORTANT !**

- 1.) PUMP MAY BE OPERATED "DRY" FOR EXTENDED PERIODS WITHOUT DAMAGE TO MOTOR AND/OR SEALS.
- 2.) INSTALLATIONS SUCH AS DECORATIVE FOUNTAINS OR WATER FEATURES PROVIDED FOR VISUAL ENJOYMENT MUST BE INSTALLED IN ACCORDANCE WITH THE NATIONAL ELECTRIC CODE ANSI/NFPA 70 AND/OR THE AUTHORITY HAVING JURISDICTION. THIS PUMP IS NOT INTENDED FOR USE IN SWIMMING POOLS, RECREATIONAL WATER PARKS, OR INSTALLATIONS IN WHICH HUMAN CONTACT WITH PUMPED MEDIA IS A COMMON OCCURRENCE.
- 3.) MUST USE A **HIGH TEMPERATURE** WIDE ANGLE LEVEL CONTROL IN HIGH TEMPERATURE APPLICATIONS.