

Series SE-411/421

2" Spherical Solids Handling
Manual & Automatic

BARNES®

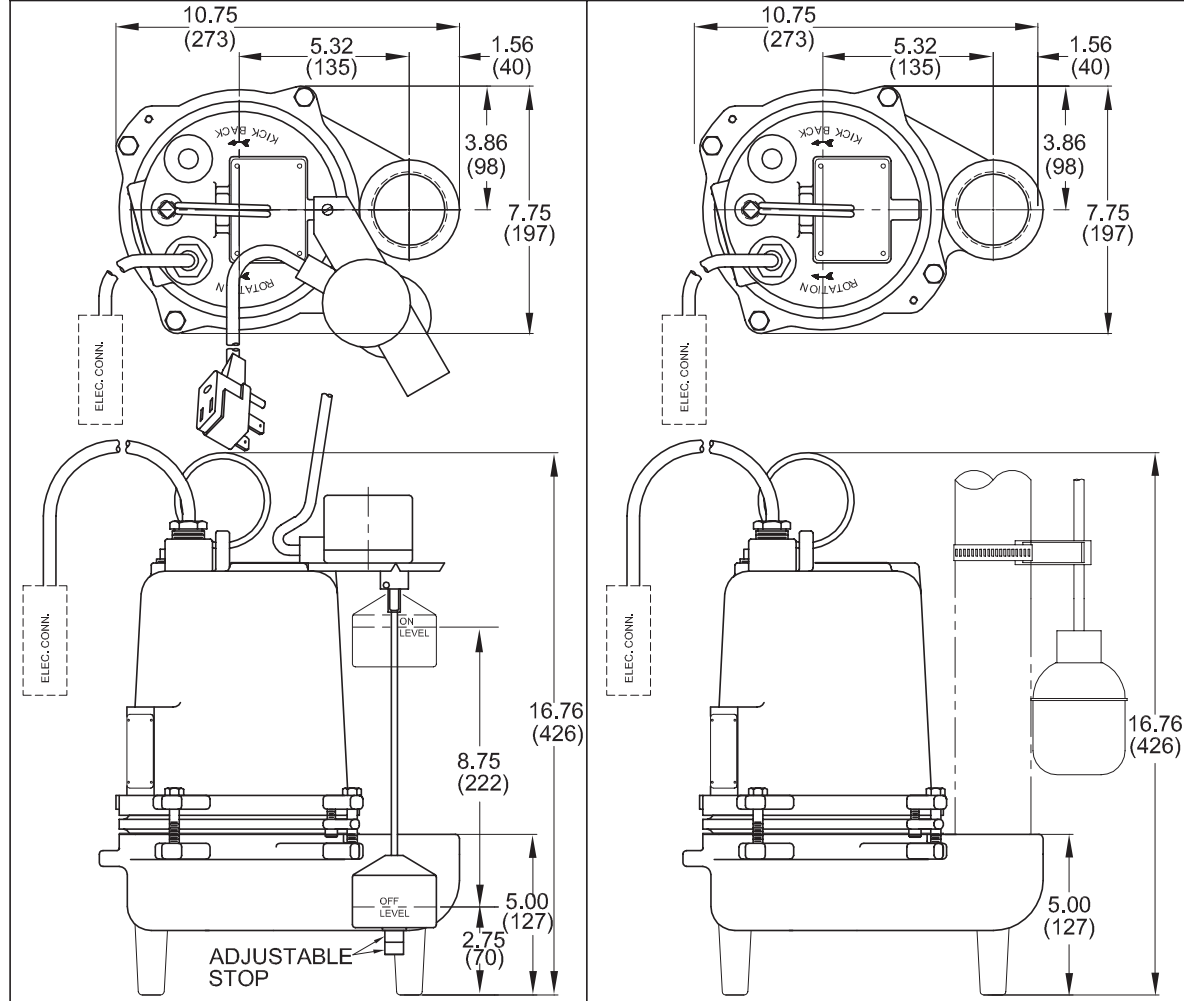
www.cranepumps.com

1½", 2" & 3" Discharge

SE411VF

SE411 & SE421 (Less Float)
SE411A

inches
(mm)



MODEL NO	PART NO	HP	VOLT/PH	Hz	RPM (Nom)	NEMA START CODE	FULL LOAD AMPS	LOCKED ROTOR AMPS	CORD SIZE	CORD TYPE	CORD O.D inch (mm)
SE411	096747	0.4	115/1	60	1750	C	12.0	19.0	16/3	SJTOW	0.310 (7.9)
SE411A	096748	0.4	115/1	60	1750	C	12.0	19.0	16/3	SJTOW	0.310 (7.9)
SE411VF	100836	0.4	115/1	60	1750	C	12.0	19.0	16/3	SJTOW	0.310 (7.9)
SE421	096750	0.4	230/1	60	1750	C	6.2	13.0	14/3	SJTOW	0.375 (9.5)

Mechanical Switch on SE-A, cord 16/2, SJOW, Piggy-Back Plug
Vertical Switch on SE-VF, cord 16/2, SJOW, 0.320 (8.1mm) O.D. Piggy-Back Plug

IMPORTANT !

- 1.) PUMP MAY BE OPERATED "DRY" FOR EXTENDED PERIODS WITHOUT DAMAGE TO MOTOR AND/OR SEALS.
- 2.) INSTALLATIONS SUCH AS DECORATIVE FOUNTAINS OR WATER FEATURES PROVIDED FOR VISUAL ENJOYMENT MUST BE INSTALLED IN ACCORDANCE WITH THE NATIONAL ELECTRIC CODE ANSI/NFPA 70 AND/OR THE AUTHORITY HAVING JURISDICTION. THIS PUMP IS NOT INTENDED FOR USE IN SWIMMING POOLS, RECREATIONAL WATER PARKS, OR INSTALLATIONS IN WHICH HUMAN CONTACT WITH PUMPED MEDIA IS A COMMON OCCURRENCE.

SECTION 1B
PAGE 2
DATE 4/15

CRANE®

PUMPS & SYSTEMS

A Crane Co. Company

USA: (937) 778-8947 • Canada: (905) 457-6223 • International: (937) 615-3598