

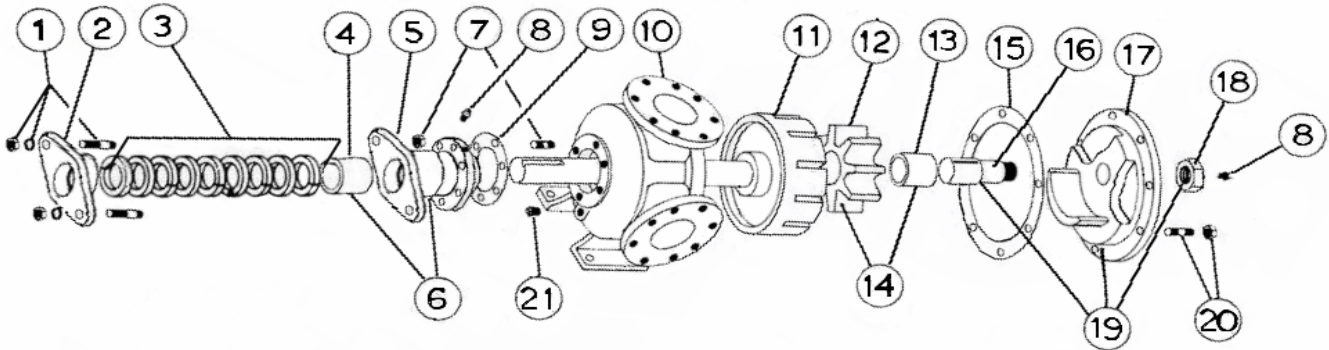
VIKING GENERAL PURPOSE UNMOUNTED PUMP

BULLETIN: EVD-Q32P-V
 PAGE: 1
 EFFECTIVE: 11/2015

MODEL Q-32 with Packing

Subject to change without notice
 F.O.B. Windsor, Ontario

Supersedes all previous parts lists



ITEM	DESCRIPTION	MATERIAL	PART NUMBER	QTY	PRICE
1	Packing Gland	Iron	2-524-020-100-00	1	
2	Packing Gland Fasteners	Steel Stud	355-00-461-620	2	
		Flatwasher	355-00-505-660	2	
		Lockwasher	355-00-541-660	2	
		Heavy Hex Nut	355-00-601-660	2	
3	Packing Set	Standard	365-00-700-780	1	
		High Temperature	365-00-700-280	1	
4	RBS Bushing	Bronze	175-02-240-050	1	
		Carbon	2-123-009-880-00	1	
5	Rotor Bearing Sleeve (RBS)	Iron	445-02-070-310	1	
6	RBS and Bushing Ass'y	Iron / Bronze	450-03-070-330	1	
		Iron / Carbon	450-03-070-332	1	
7	RBS Fasteners	Hex Cap Screw	355-00-152-670	6	
8	Grease Fitting	NPT Straight Grease Fitting	325-00-025-605	2	
9	RBS Gasket	Standard	245-00-120-240	1	
10	Casing	Iron	2-231-014-100-00	1	
11	Rotor and Shaft Ass'y	Iron / Steel	455-03-690-349	1	
		Ductalloy / Steel	455-03-690-139	1	
12	Idler	Iron	2-422-001-100-70	1	
13	Idler Bushing	Bronze	2-129-007-454-05	1	
		Carbon	2-129-009-880-05	1	
14	Idler and Bushing Ass'y	Iron / Bronze	285-03-320-330	1	
		Iron / Carbon	285-03-320-332	1	
15	Head Gasket	Standard	245-00-070-240	3	
16	Idler Pin	Steel - Greasable	295-00-230-690	1	
		Steel - Non-greasable	295-00-240-690	1	
17	Head	Iron	265-02-540-310	1	
18	Idler Pin Nut	Steel	355-00-625-660	1	
19	Head and Idler Pin Ass'y	Iron / Steel - Greasable	270-03-540-350	1	
		Iron / Steel - Non-Greasable	270-03-545-350	1	
20	Head Bolts	Hex Cap Screw	355-00-155-670	8	
21	Pipe Plug	Steel Hex Head Plug	390-00-050-605	1	

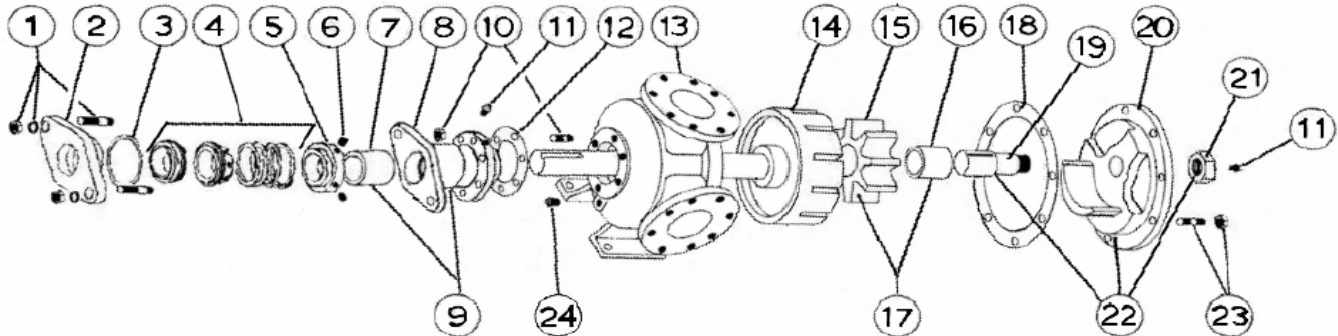
VIKING GENERAL PURPOSE UNMOUNTED PUMP

BULLETIN:	EVD-Q32S-V
PAGE:	1
EFFECTIVE:	11/2015

MODEL Q-32 with Mechanical Seal

Subject to change without notice.
F.O.B. Windsor, Ontario

Supercedes all previous parts lists.



ITEM	DESCRIPTION	MATERIAL	PART NUMBER	QTY	PRICE
1	Seal Seat Retainer Fasteners	Hex Cap Screw	355-00-146-670	2	
		Lockwasher	355-00-541-660	2	
2	Seal Seat Retainer	Steel	470-02-644-310	1	
3	Seal Seat Retainer Oring	Buna		1	
4	Mechanical Seal Ass'y	Buna	335-510-0000	1	
5	Driving Ring	Steel	330-00-150-620	1	
6	Driving Ring Set Screws	Cup Point Set Screw	355-00-271-660	2	
7	RBS Bushing	Bronze	175-02-240-050	1	
		Carbon	2-123-009-880-00	1	
8	Rotor Bearing Sleeve (RBS)	Iron	445-02-085-310	1	
9	RBS and Bushing Ass'y	Iron / Bronze	450-03-085-330	1	
		Iron / Carbon	450-03-085-332	1	
10	RBS Fasteners	Hex Cap Screw	355-00-140-670	6	
11	Grease Fitting	NPT Straight Grease Fitting	325-00-025-605	2	
12	RBS Gasket	Standard	245-00-120-240	1	
13	Casing	Iron	2-231-014-100-00	1	
14	Rotor and Shaft Ass'y	Iron / Steel	455-03-690-349	1	
		Ductalloy / Steel	455-03-690-139	1	
15	Idler	Iron	2-422-001-100-70	1	
16	Idler Bushing	Bronze	2-129-007-454-05	1	
		Carbon	2-129-009-880-05	1	
17	Idler and Bushing Ass'y	Iron / Bronze	285-03-320-330	1	
		Iron / Carbon	285-03-320-332	1	
18	Head Gasket	Standard	245-00-070-240	3	
16	Idler Pin	Steel - Greasable	295-00-230-690	1	
		Steel - Non-greasable	295-00-240-690	1	
20	Head	Iron	265-02-540-310	1	
21	Idler Pin Nut	Hex Jam Nut	355-00-625-660	1	
22	Head and Idler Pin Ass'y	Iron / Steel - Greasable	270-03-540-350	1	
		Iron / Steel - Non-Greasable	270-03-545-350	1	
23	Head Fasteners	Hex Cap Screw	355-00-143-670	8	
24	Pipe Plug	Hex Head	390-00-125-605	3	