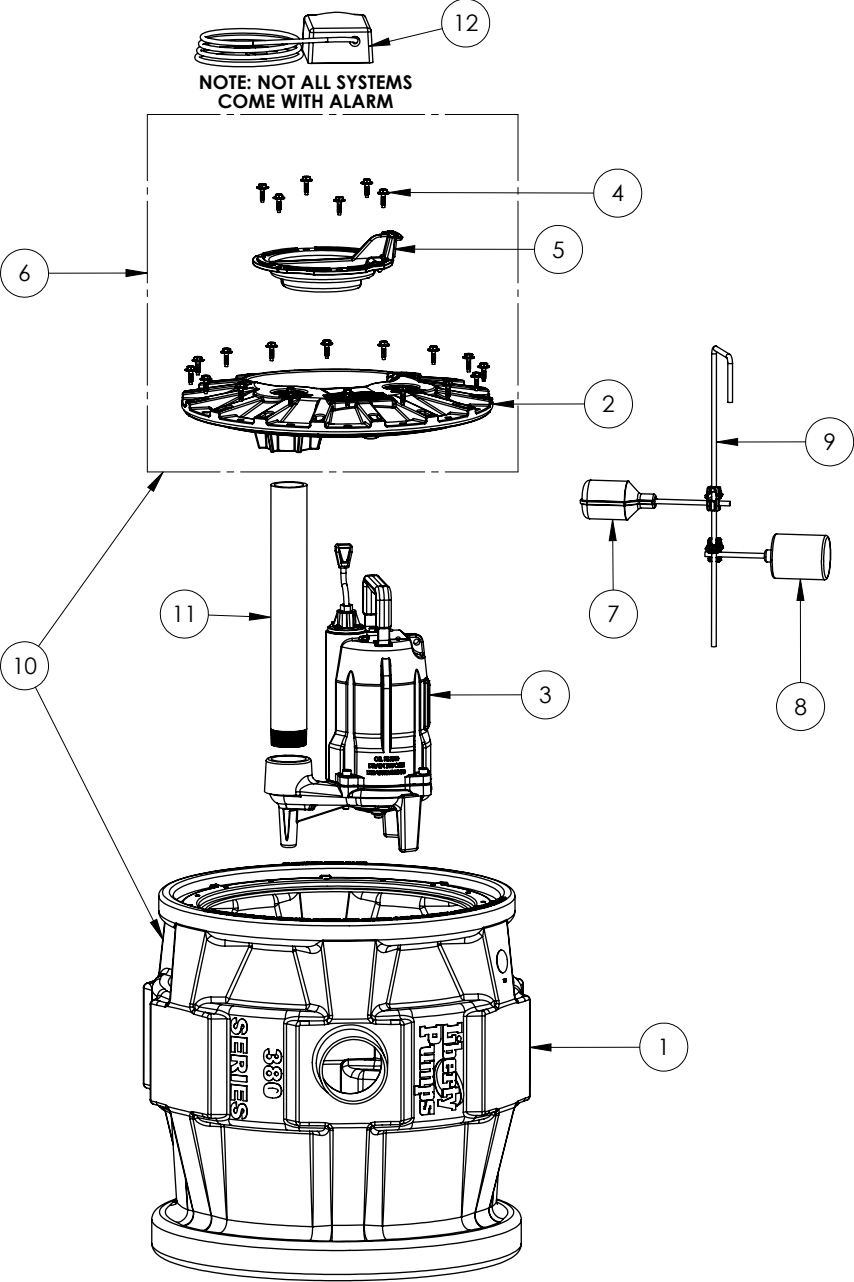


P382XPRG102 (B10)



P382XPRG102 (B10)

#	PART #	DESCRIPTION	QTY	Note
1	K001133	380XL TANK 16 BOLTS	1	
2	50340B0	2X2 COVER, 16 BOLT	1	
3	SEE NOTE FOR PUMP MODEL #	LIBERTY PUMP	1	[1]
4	8155000	WASHER HEAD HEX SCREW	22	
5	K001233	INSPECTION COVER, INCLUDES MOUNTING SCREWS (6)	1	
6	K001127	2X2 COVER ASSEMBLY, 16 BOLT, PVC	1	
7	Pro Series Alarm switch (B10)	REPLACEMENT SWITCH BASED ON SYSTEM LABEL	1	[2]
8	SEE NOTE FOR PUMP SWITCH	PUMP SWITCH ONLY	1	[3]
9	K001123	QUICKTREE KIT, ROD & CLAMPS ONLY	1	
10	K001137	P382XL TANK AND COVER	1	
11	K001399	PRO SERIES PIPE KIT 2" SCH80 X17.50"	1	
12	SEE NOTE FOR ALARM	ALARM ONLY		[4]
13	K001019	61140A0 PUMP SWITCH, 10' 230V, INCLUDES MOUNTING HARDWARE	1	
14	K001431	61140B0 PUMP SWITCH, 25' 230V	1	
15	K001134	FLOAT SWITCH, 20FT CORD, INCLUDES 1 SWITCH PER KIT	1	
16	K001415	60050D0 SWITCH, 10' PILOT DUTY PIGTAIL	1	

PART NOTES:

[1] - Part requires factory authorized service. Contact Liberty Pumps at 1-800-543-2550

****NOTE****

Select PROSERIES Pump below to show sewage pump assembly parts

ex: P382XPRG102/A2

PRG102

PRG102-2

[2] - ****NOTE****

ALARM SWITCH KITS

For /A2 Suffix of model number use Part No. K001134

For /A21 Suffix of model number use Part No. K001415

For /A2W Suffix of model number use Part No. K001134

[3] - Part requires factory authorized service. Contact Liberty Pumps at 1-800-543-2550

****NOTE****

Switch Kits:

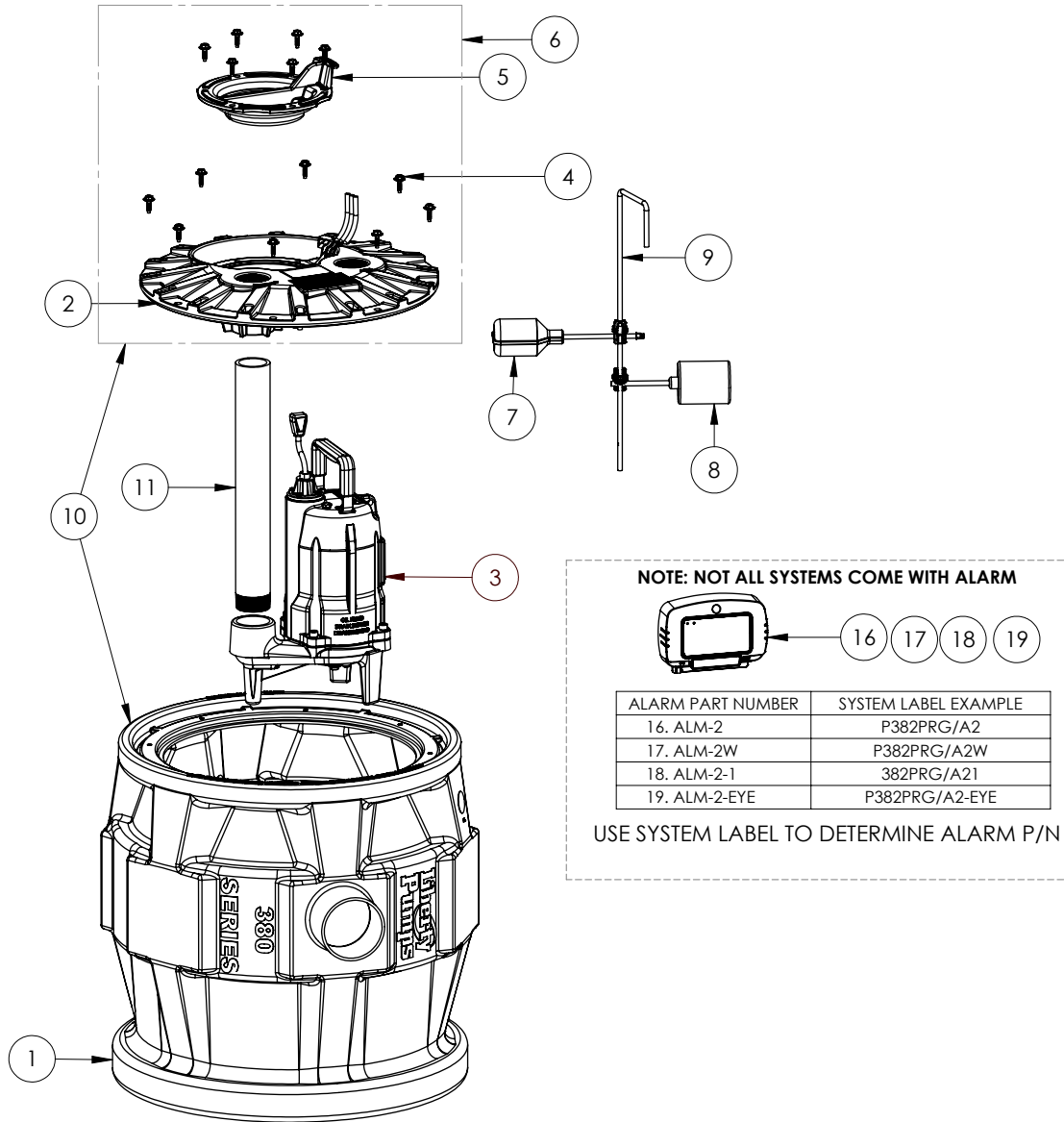
for pump PRG101: K001054

for pump PRG101-2: K001144

P382XPRG102 (B10)

- [4] - ALARM PRO SERIES
 - FORA2 SUFFIX OF MODEL
 - NUMBER: USE PART NO 6225000
 - FORA2W SUFFIX OF MODEL
 - NUMBER: USE PART NO 6226000
 - FORA21 SUFFIX OF MODE
 - NUMBER: USE PART NO 6242000
 - Part requires factory authorized service. Contact Liberty Pumps at 1-800-543-2550

P382XPRG102 (B94)



P382XPRG102 (B94)

#	PART #	DESCRIPTION	QTY	Note
1	K001133	380XL TANK 16 BOLTS	1	
2	50340B0	2X2 COVER, 16 BOLT	1	
3	SEE NOTE FOR PUMP MODEL #	LIBERTY PUMP	1	[1]
4	8155000	WASHER HEAD HEX SCREW	22	
5	K001233	INSPECTION COVER, INCLUDES MOUNTING SCREWS (6)	1	
6	K001127	2X2 COVER ASSEMBLY, 16 BOLT, PVC	1	
7	Pro Series Alarm switch (B94)	REPLACEMENT SWITCH BASED ON SYSTEM LABEL	1	[2]
8	SEE NOTE FOR PUMP SWITCH	PUMP SWITCH ONLY	1	[3]
9	K001123	QUICKTREE KIT, ROD & CLAMPS ONLY	1	
10	K001137	P382XL TANK AND COVER	1	
11	K001399	PRO SERIES PIPE KIT 2" SCH80 X17.50"	1	
16	ALM-2	ALARM 115V SWT-ACTV 20'	1	
17	ALM-2W	115V ALARM, WEATHERPROOF	1	
18	ALM-2-1	ALARM 115V 10FT CORD	1	
19	ALM-2-EYE	ALARM 115V SWT-ACTV 20' NIGHTEYE	1	
20	K001134	FLOAT SWITCH, 20FT CORD, INCLUDES 1 SWITCH PER KIT	1	
21	K001566	KIT, SWITCH PILOT DUTY, 10' 3-PIN	1	
22	K001569	KIT, SWITCH PILOT DUTY, 20' 3-PIN	1	

PART NOTES:

[1] - Part requires factory authorized service. Contact Liberty Pumps at 1-800-543-2550

****NOTE****

Select PROSERIES Pump below to show sewage pump assembly parts

ex: P382XPRG101/A2

PRG101M

PRG101M-2

[2] - ****NOTE****

ALARM SWITCH KITS

For /A2 Suffix of model number use Part No. K001569

For /A21 Suffix of model number use Part No. K001566

For /A2W Suffix of model number use Part No. K001134

For /A2-EYE Suffix of model number use Part No. K001569

P382XPRG102 (B94)

- [3] - Part requires factory authorized service. Contact Liberty Pumps at 1-800-543-2550

****NOTE****

Switch Kits:

for pump PRG102: K001019

for pump PRG102-2: K001431