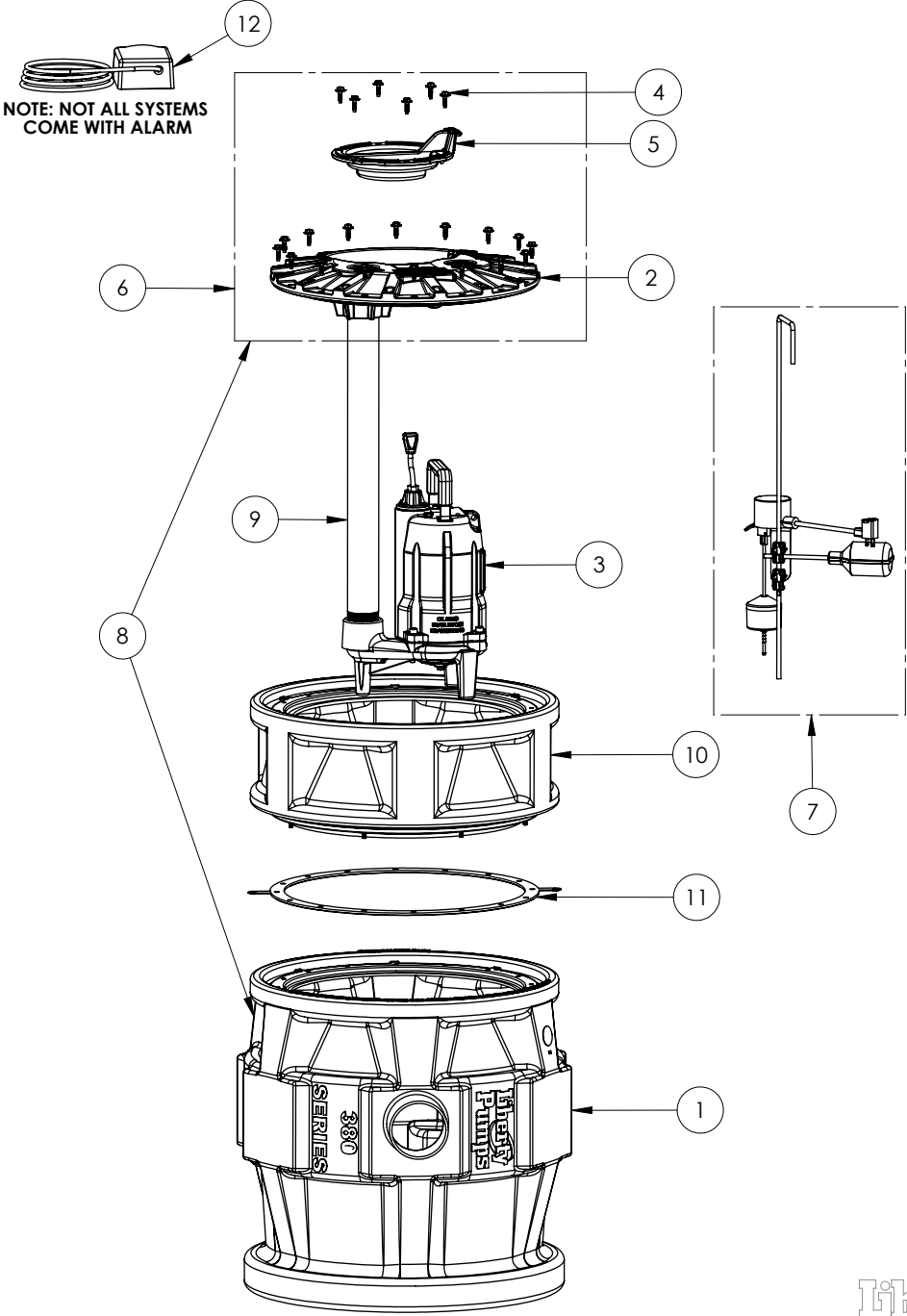


P382X8XPRG101V (B10)



ProVore 380

P382X8XPRG101V (B10)

#	PART #	DESCRIPTION	QTY	Note
1	K001133	380XL TANK 16 BOLTS	1	
2	50340B0	2X2 COVER, 16 BOLT	1	
3	SEE NOTE FOR PUMP MODEL #	LIBERTY PUMP	1	[1]
4	8155000	WASHER HEAD HEX SCREW	1	
5	K001233	INSPECTION COVER, INCLUDES MOUNTING SCREWS (6)	1	
6	K001127	2X2 COVER ASSEMBLY, 16 BOLT, PVC	1	
7	49920B0	FLOAT SUPPORT 380 X8 10' VERT ALM FLT	1	
8	K001137	P382XL TANK AND COVER	1	
9	40650D0	2" PVC SCH80 25.375" LONG	1	
10	X8	EXTENSION KIT, INCLUDES EXT BASIN,PIPE, BOLTS AND QUICK TREE SUPPORT	1	[2]
11	45990A0	GASKET MOLDED 20CVR SOFT	1	
12	SEE NOTE FOR ALARM	ALARM ONLY	1	[3]
13	K001415	60050D0 SWITCH, 10' PILOT DUTY PIGTAIL	1	

PART NOTES:

[1] - Part requires factory authorized service. Contact Liberty Pumps at 1-800-543-2550

****NOTE****

Select PROSERIES Pump below to show sewage pump assembly parts

ex: P382X8XPRG101V/A2

PRG101

[2] - To view PROSERIES X8 EXTENSION KIT click here

[3] - ALARM PRO SERIES

FORA2 SUFFIX OF MODEL

NUMBER: USE PART NO 6225000

FORA2W SUFFIX OF MODEL

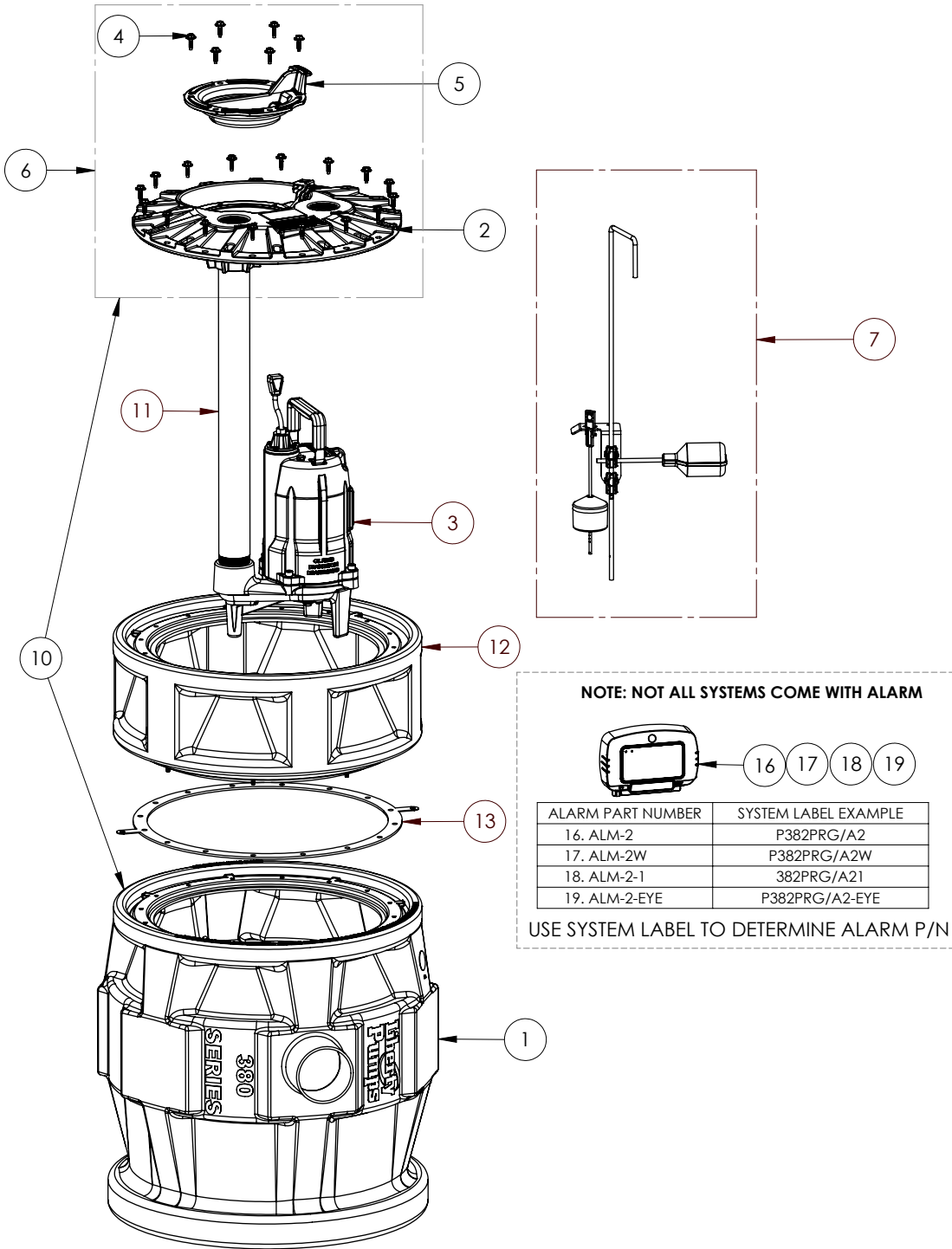
NUMBER: USE PART NO 6226000

FORA21 SUFFIX OF MODE

NUMBER: USE PART NO 6242000

Part requires factory authorized service. Contact Liberty Pumps at 1-800-543-2550

P382X8XPRG101V (B94)



ProVore 380

P382X8XPRG101V (B94)

#	PART #	DESCRIPTION	QTY	Note
1	K001133	380XL TANK 16 BOLTS	1	
2	50340B0	2X2 COVER, 16 BOLT	1	
3	SEE NOTE FOR PUMP MODEL #	LIBERTY PUMP	1	[1]
4	8155000	WASHER HEAD HEX SCREW	1	
5	K001233	INSPECTION COVER, INCLUDES MOUNTING SCREWS (6)	1	
6	K001127	2X2 COVER ASSEMBLY, 16 BOLT, PVC	1	
7	49920B0	FLOAT SUPPORT 380 X8 10' VERT ALM FLT	1	
8	K001137	P382XL TANK AND COVER	1	
9	40650D0	2" PVC SCH80 25.375" LONG	1	
10	X8	EXTENSION KIT, INCLUDES EXT BASIN,PIPE, BOLTS AND QUICK TREE SUPPORT	1	[2]
11	45990A0	GASKET MOLDED 20CVR SOFT	1	
13	K001415	60050D0 SWITCH, 10' PILOT DUTY PIGTAIL	1	
16	ALM-2	ALARM 115V SWT-ACTV 20'	1	
17	ALM-2W	115V ALARM, WEATHERPROOF	1	
18	ALM-2-1	ALARM 115V 10FT CORD	1	
19	ALM-2-EYE	ALARM 115V SWT-ACTV 20' NIGHTEYE	1	
20	K001134	FLOAT SWITCH, 20FT CORD, INCLUDES 1 SWITCH PER KIT	1	
21	K001566	KIT, SWITCH PILOT DUTY, 10' 3-PIN	1	
22	K001569	KIT, SWITCH PILOT DUTY, 20' 3-PIN	1	

PART NOTES:

[1] - Part requires factory authorized service. Contact Liberty Pumps at 1-800-543-2550

****NOTE****

Select PROSERIES Pump below to show sewage pump assembly parts

ex: P382X8XPRG101V/A2

PRG101

[2] - To view PROSERIES X8 EXTENSION KIT click here