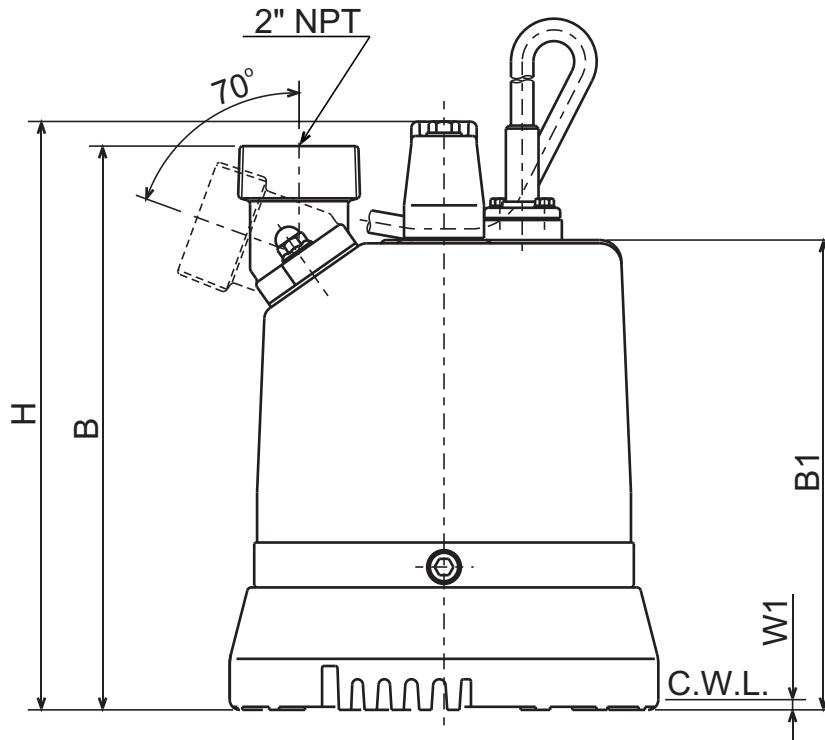
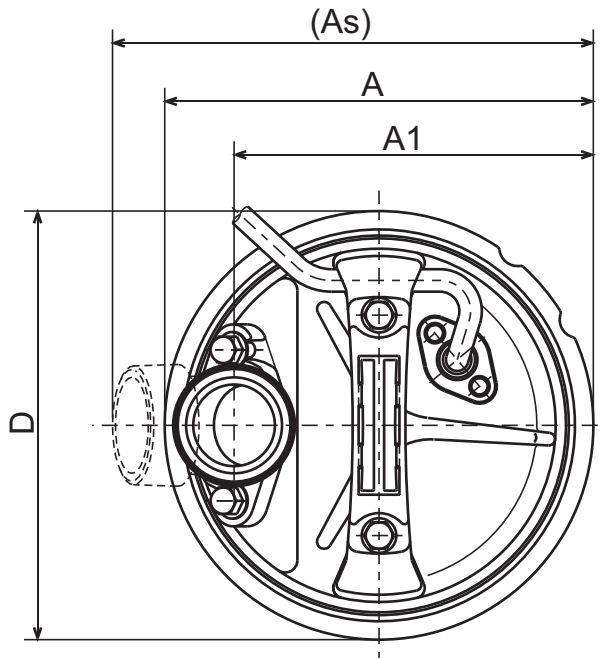




**LSR - SERIES**  
**LOW LEVEL - DEWATERING PUMP**

**DIMENSIONS**

**LSR2.4S-61**



C.W.L. : Continuous running Water Level

**DIMENSIONS:USCS (Inch)**

Model	HP	NOM. SIZE	Pump & Motor							C.W.L. W1	Wt. (lbs.)
			A	As	A1	B	B1	D	H		
LSR2.4S-61	2/3	2"	8 1/4	9 1/4	6 15/16	10 7/8	9 1/16	8 1/4	11 3/8	0.20	23

**DIMENSIONS:METRIC (mm)**

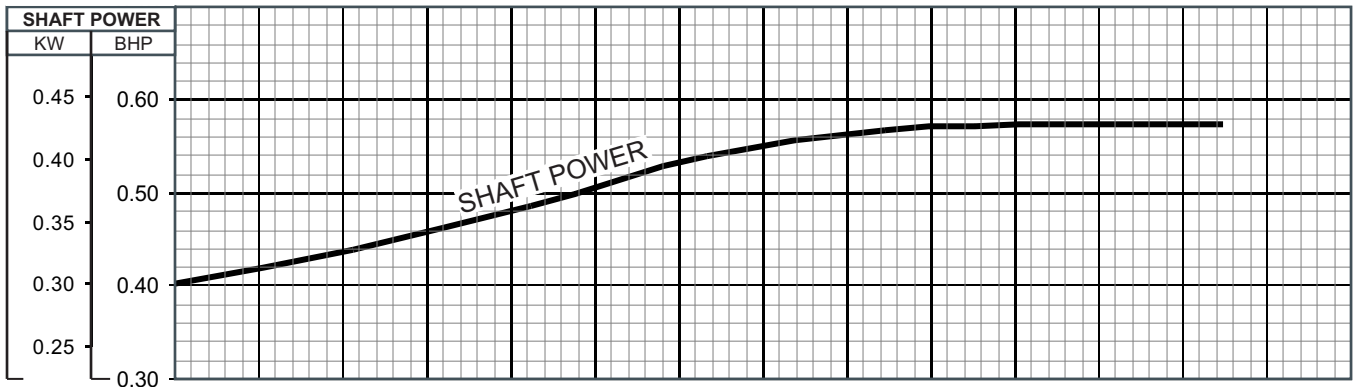
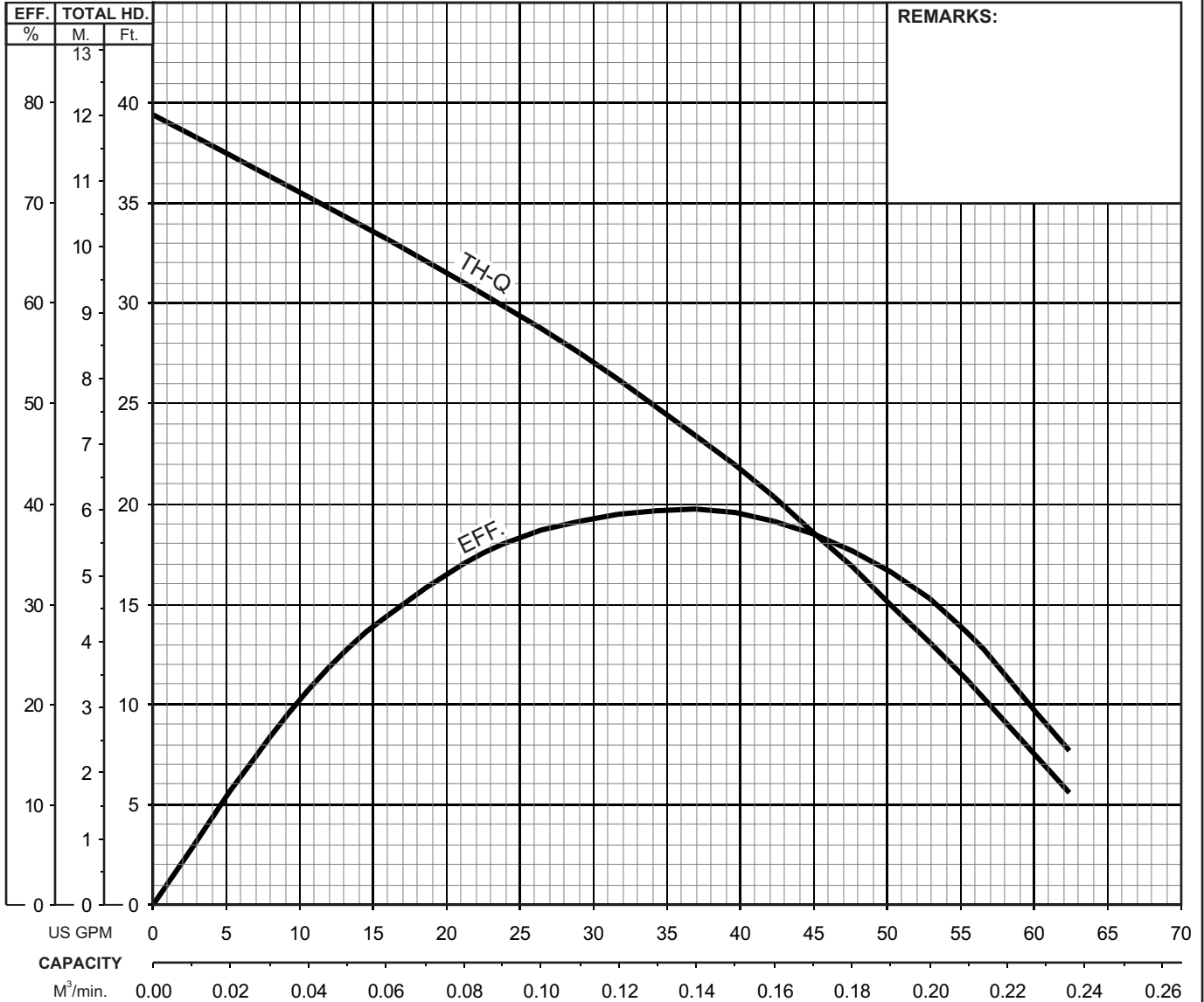
Model	kW	NOM. SIZE	Pump & Motor							C.W.L. W1	Wt. (kg)
			A	As	A1	B	B1	D	H		
LSR2.4S-61	0.48	50	210	236	176	276	230	210	288	5	10.5



# LSR - SERIES LOW LEVEL - DEWATERING PUMP

## PERFORMANCE CURVE

MODEL	BORE	HP	KW	RPM	SOLIDS DIA	LIQUID	SG.	VISCOSITY	TEMP.
LSR2.4S-61	2"/50mm	0.64	0.48	3255	0.236"/6mm	Water	1.0	1.123 cSt.	60°F
PUMP TYPE	PHASE	VOLTAGE	AMPERAGE	HZ	STARTING METHOD	INS. CLASS			
Low Level - Dewatering Pump	Single	110/115/120, 230	6.1 / 5.9 / 5.7 , 3.0	60	Capacitor Start	E			
CURVE No.	DATE	PHASE	VOLTAGE	AMPERAGE	HZ	STARTING METHOD	INS. CLASS		
-	-	-	-	-	-	-	-		



PARTS LIST	PORTABLE DEWATERING PUMP		DATE: FEB. 2009
------------	--------------------------	--	-----------------

ITEM	PARTS No.	DESCRIPTION	Q'TY	SIZE	MATERIAL	NOTES
1	001-943-23	Power Cable 32'	1	TLB, AWG16/3 x 32', 316-Gland (w/ CSA3P)	VCT	Includes Gland
2	140-427-17	Hex Bolt	2	M5x15, w/ Washer	SUS304	
3	003-190-10	Gland	1		SUS316	003-100-13 (Old)
4	140-000-13	Hex Bolt M8x65	2	M8x65	SUS304	
5	068-000-06	Handle	1		Resin	
6	032-426-18	Hose Coupling	1	LB-400 2"NPT	FC	
7	121-587-17	Gasket (Hose Coupling)	1	LB	NBR *	
8	141-030-12	Hex Cap Nut	2	M8 (S=12)	SUS304	
9	065-000-18	Outer Cover	1	LSC Type Orange	SPC	
10	122-453-16	O-Ring (O.Casing/Stand)	1	172xd2.7	NBR *	
11	121-434-18	Gasket (Out.Cover/H.Cover)	1	LB3-250/480	Rubber *	
12	140-431-14	Hex Bolt w/ plain washer	3	M6x25 w/P.Washer	SUS304	Call Factory
13	051-282-19	Motor Head Cover	1		ADC	
14	121-546-14	Gasket (H.Cover/M.Frame)	1	d120xD142x6.2t	NBR *	
15	076-000-03	Capacitor (110)	1	SH-Cap, 40MF-220VAC three Terminals		Call Factory
15-A	009-187-12	Earth Terminal Set	1	AWG16		
16	143-203-14	Pan Screw M5x5 w/Washer	1	M4x5, w/ S.Washer	BSBM	
17	050-486-12	Motor Bracket	1		SECD	
18	142-192-16	Wave Washer	1	#6201	SK-5	
19	052-100-15	Ball Bearing	1	#6201ZZC3		
20	055-000-29	Rotor	1	Rotor w/ Bearing		
21	061-180-17	Bearing Collar	1	d15.1xD20x1.6t	SS	
22	052-101-16	Ball Bearing	1	#6202ZZC3		
23	056-C67-13	Stator 110/115/120V-60HZ	1	LB-480		
24	064-508-14	Motor Frame	1	LB2-400(A)	ADC	
25	122-133-17	O-Ring	1	G-110	NBR *	
26	025-291-10	Mechanical Seal	1	W-14VL	SIC+CGBN	
27	030-000-09	Oil Lifter	3	W-14VL	Resin	
28	029-000-38	Oil Casing	1	LB3-250/480, w/ Stud Bolt	ADC	
28-1	144-560-15	Stud Bolt	3	M8x54.5	SUS304	
29	035-124-12	Oil Plug	1	M10 x 15	SUS304	
30	121-246-11	Gasket (Oil Plug)	1	d10.3xD16x2t	PE-sheet *	
31	140-253-10	Socket Bolt	3	M6x25	SUS304	
32	020-991-12	Pump Casing	1	LSR2.4S-50/60	Rubber	
33	122-441-11	V-Ring	1	VR-14	NBR	
34	071-292-14	Shaft Sleeve	1	LB2-400	SUS304	
35	021-007-44	Impeller	1	60HZ	Urethane	
36	142-127-10	Plain Washer M8	1	M8		
37	142-163-18	Spring Washer M8	1	M8		
38	141-030-12	Hex Cap Nut	1	M8 (S=12)	SUS304	
39	022-775-14	Suction Cover	1	LSR2.4S-50/60	NR+BR	
40	023-480-12	Suction Strainer	1	LSR2.4S-50/60	SPCC	
41	140-426-16	Hex Bolt	3	M6x15 (S=12), w/ Washer	SUS304	
<b>Packing O-ring Set:</b>						
	173-567-12	Gasket O-Ring Set	1	(*)		
7	121-587-17	Gasket (Hose Coupling)	1	LB	NBR *	
10	122-453-16	O-Ring (O.Casing/Stand)	1	172xd2.7	NBR *	
11	121-434-18	Gasket (Out.Cover/H.Cover)	1	LB3-250/480	Rubber *	
14	121-546-14	Gasket (H.Cover/M.Frame)	1	d120xD142x6.2t	NBR *	
25	122-133-17	O-Ring	1	G-110	NBR *	
30	121-246-11	Gasket (Oil Plug)	1	d10.3xD16x2t	PE-sheet *	
<b>OPTIONAL:</b>						
1	001-943-36	Cable w/Gland 20' HS2.4S	1	AWG 16/3 x 20'	VCT/LB	Includes Gland
1	001-471-25	Cable w/Gland 50' LB-750	1	AWG 14 x 3 x 50'	VCT	Includes Gland
1	001-999-90	Cable w/Gland 100' LB3-750	1	AWG 14 x 3 x 100'	VCT	Includes Gland
40	021-007-43	Impeller	1	50HZ	Urethane Rubber	Becomes LSR2.4S-51
	Lubricant	Turbine Oil #32		220ML / 7.4 oz	SAE 10W-20	

**NOTE:**  
Pricing in U.S. currency and subject to change without notice.  
Items with (\*) indicate items are included in the set

New Pricing Updates:

Feb-09

Parts List

Portable Dewatering Pump

Date: DEC 2009

