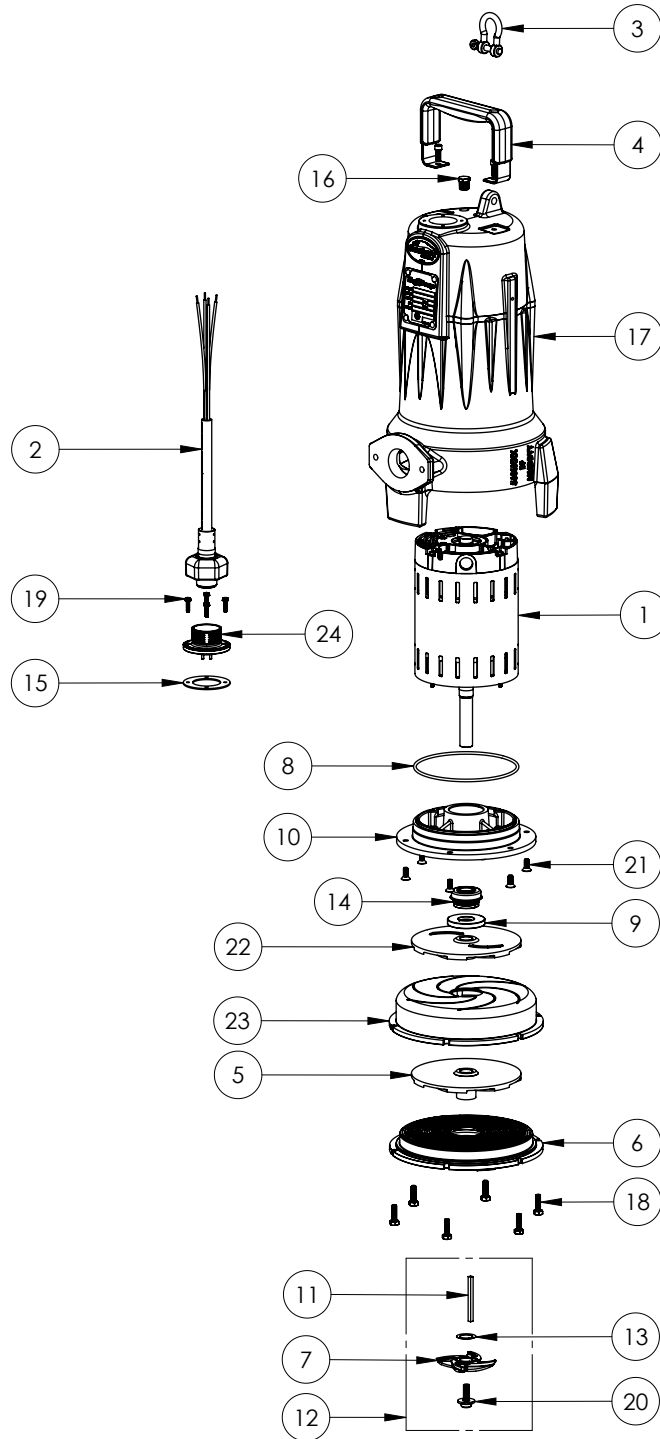


LSGX204M (B43)



**LSGX204M****LSGX204M (B43)**

| #  | PART #  | DESCRIPTION                         | QTY | Note |
|----|---------|-------------------------------------|-----|------|
| 1  | 5735000 | MOTOR                               | 1   | [1]  |
| 2  | K001357 | POWER CORD, 25FT                    | 1   |      |
| 3  | 5611000 | SHACKLE                             | 1   |      |
| 4  | 5613000 | HANDLE                              | 1   |      |
| 5  | 46600B0 | BOTTOM IMPELLER, STAINLESS STEEL    | 1   |      |
| 6  | K001395 | CUTTER PLATE                        | 1   |      |
| 7  | 5616900 | ROTARY CUTTER                       | 1   |      |
| 8  | 5617000 | O-RING                              | 1   |      |
| 9  | 5618000 | DOUBLE LIP SEAL                     | 1   | [1]  |
| 10 | 5851000 | MOTOR PLATE                         | 1   |      |
| 11 | 56350B0 | KEY                                 | 1   |      |
| 12 | K001139 | ROTARY CUTTER KIT                   | 1   | [2]  |
| 13 | K001445 | ROTARY CUTTER SHIM KIT              | 2   |      |
| 14 | 5633000 | 3/4" UNITIZED SHAFT SEAL            | 1   | [1]  |
| 15 | 5060000 | CORD PLATE GASKET                   | 1   |      |
| 16 | 50710A0 | PIPE PLUG, 1/4" HEX HD BRASS NPTF   | 1   |      |
| 17 | 573300R | OMNIVORE HOUSING, 2 STAGE           | 1   |      |
| 18 | 8024000 | 1/4-20x7/8" HEX HEAD SS BOLT        | 6   |      |
| 19 | 8064000 | #8-32 x 5/8 HEX WASHER HEAD SCREW   | 4   |      |
| 20 | 56360A0 | FLANGED IMPELLER BOLT               | 1   |      |
| 21 | 8018000 | 1/4-20 x 5/8 SLOTTED FLAT HEAD BOLT | 6   |      |
| 22 | 46600A0 | TOP IMPELLER                        | 1   |      |
| 23 | 5380000 | CROSSOVER                           | 1   |      |
| 24 | 5629000 | GRINDER CORDPLATE                   | 1   |      |

**PART NOTES:**

- [1] - Part requires factory authorized service. Contact Liberty Pumps at 1-800-543-2550
- [2] - ForLSG GrinderCutter Replacment Instructions see LSG Grinder Cutter Replacement