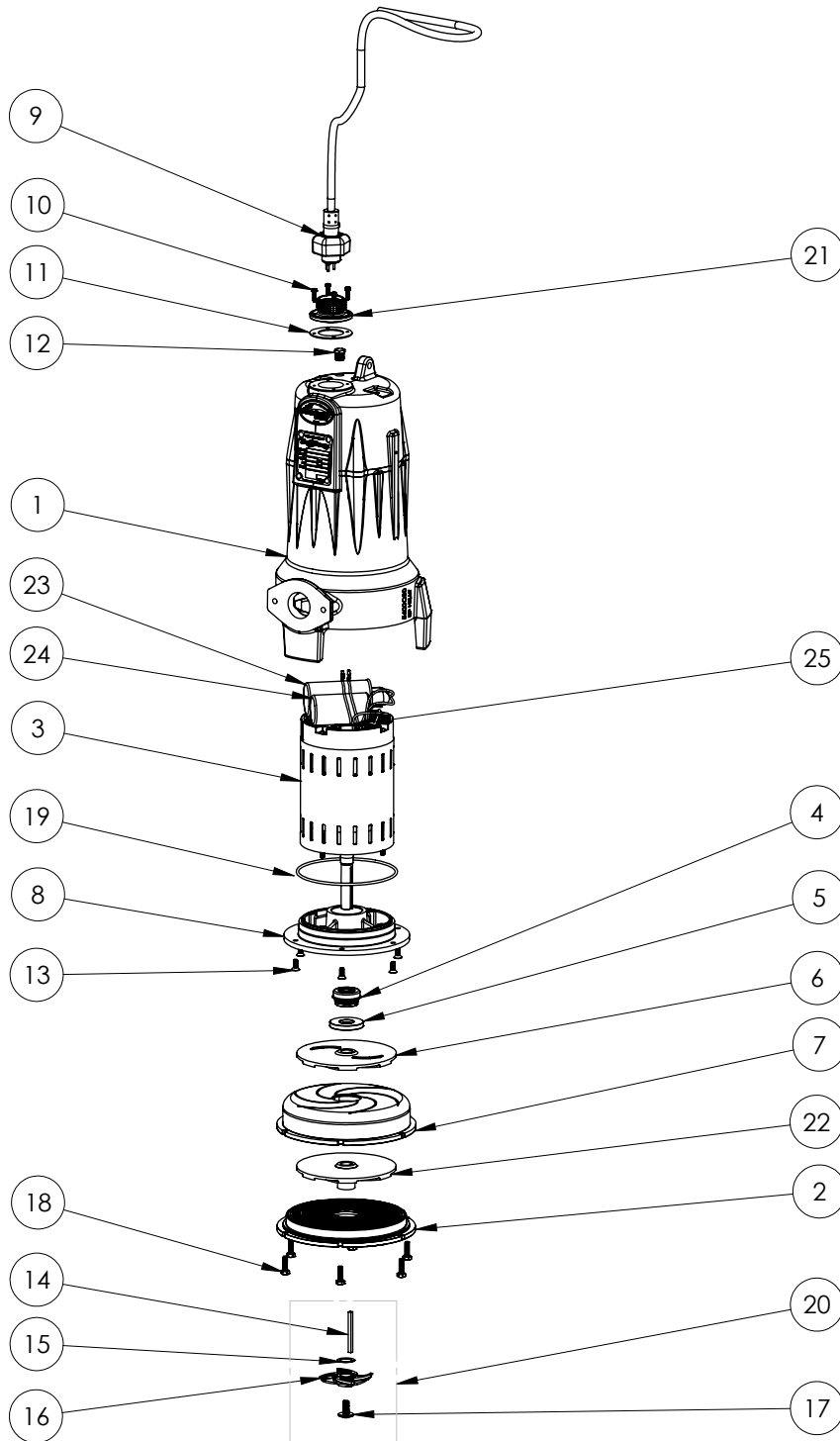


LSGX202-REP (B43)



LSGX202-REP

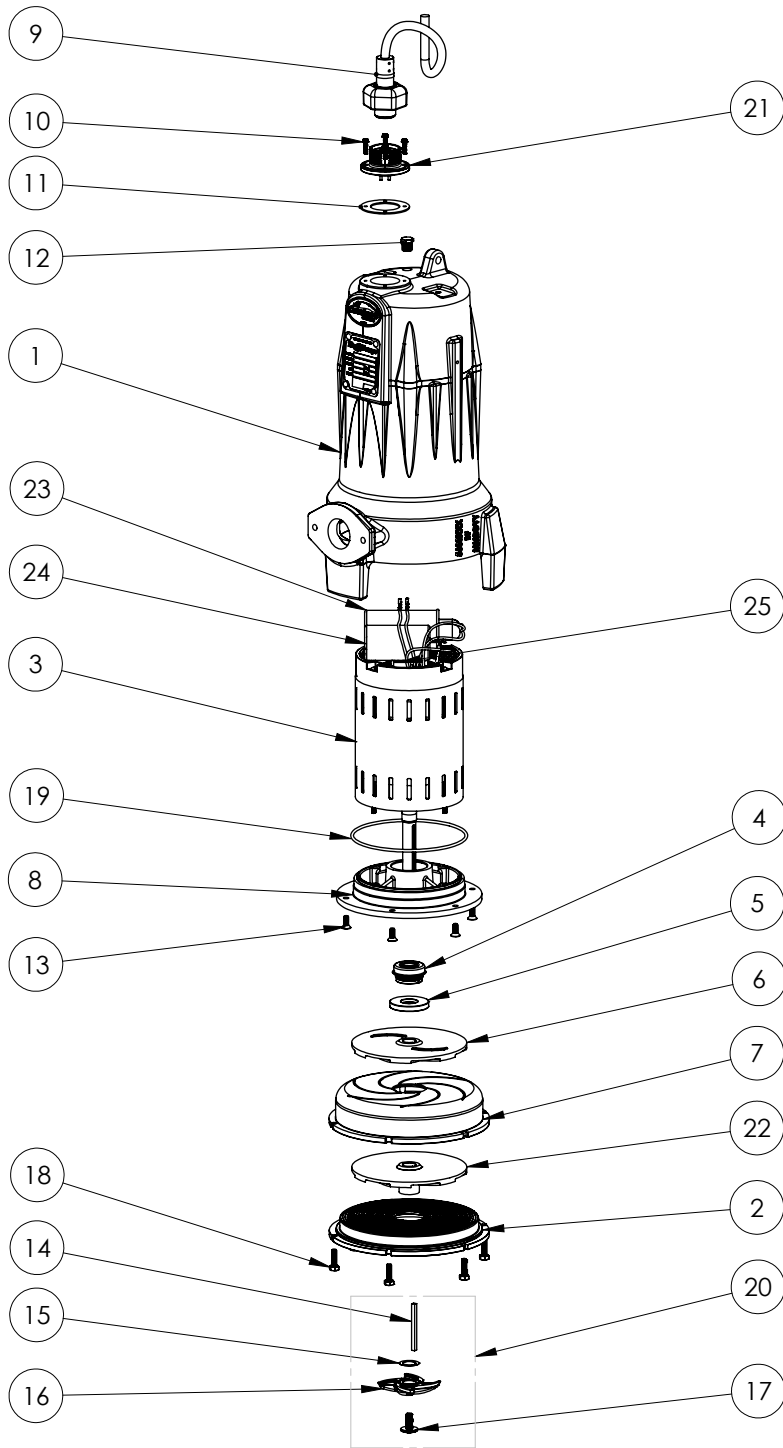
LSGX202-REP (B43)

#	PART #	DESCRIPTION	QTY	Note
1	573300R	OMNIVORE HOUSING, 2 STAGE	1	
2	K001395	CUTTER PLATE	1	
3	5734000	MOTOR 230V 1PH	1	[1]
4	5633000	3/4" UNITIZED SHAFT SEAL	1	[1]
5	5618000	DOUBLE LIP SEAL	1	[1]
6	46600A0	TOP IMPELLER	1	
7	5380000	CROSSOVER	1	
8	5851000	MOTOR PLATE	1	
9	K001303	POWER CORD ASSY	1	
10	8064000	#8-32 x 5/8 HEX WASHER HEAD SCREW	4	
11	5060000	CORD PLATE GASKET	1	
12	5071000	BRASS OIL PLUG	1	
13	8018000	1/4-20 x 5/8 SLOTTED FLAT HEAD BOLT	6	
14	56350B0	KEY	1	
15	K001445	ROTARY CUTTER SHIM KIT	1	
16	5616900	ROTARY CUTTER	1	
17	56360A0	FLANGED IMPELLER BOLT	1	
18	8024000	1/4-20x7/8" HEX HEAD SS BOLT	6	
19	5617000	O-RING	1	
20	K001139	ROTARY CUTTER KIT	1	[2]
21	K001216	5619000, CORDPLATE	1	
22	46600B0	BOTTOM IMPELLER, STAINLESS STEEL	1	
23	K001228	RUN CAPACITOR	1	
24	K001227	START CAPACITOR	1	
25	K001229	START SWITCH	1	

PART NOTES:

- [1] - Part requires factory authorized service. Contact Liberty Pumps at 1-800-543-2550
- [2] - ForLSG GrinderCutter Replacment Instructions see LSG Grinder Cutter Replacement

LSGX202-REP (B53)



LSGX202-REP

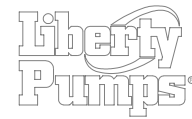
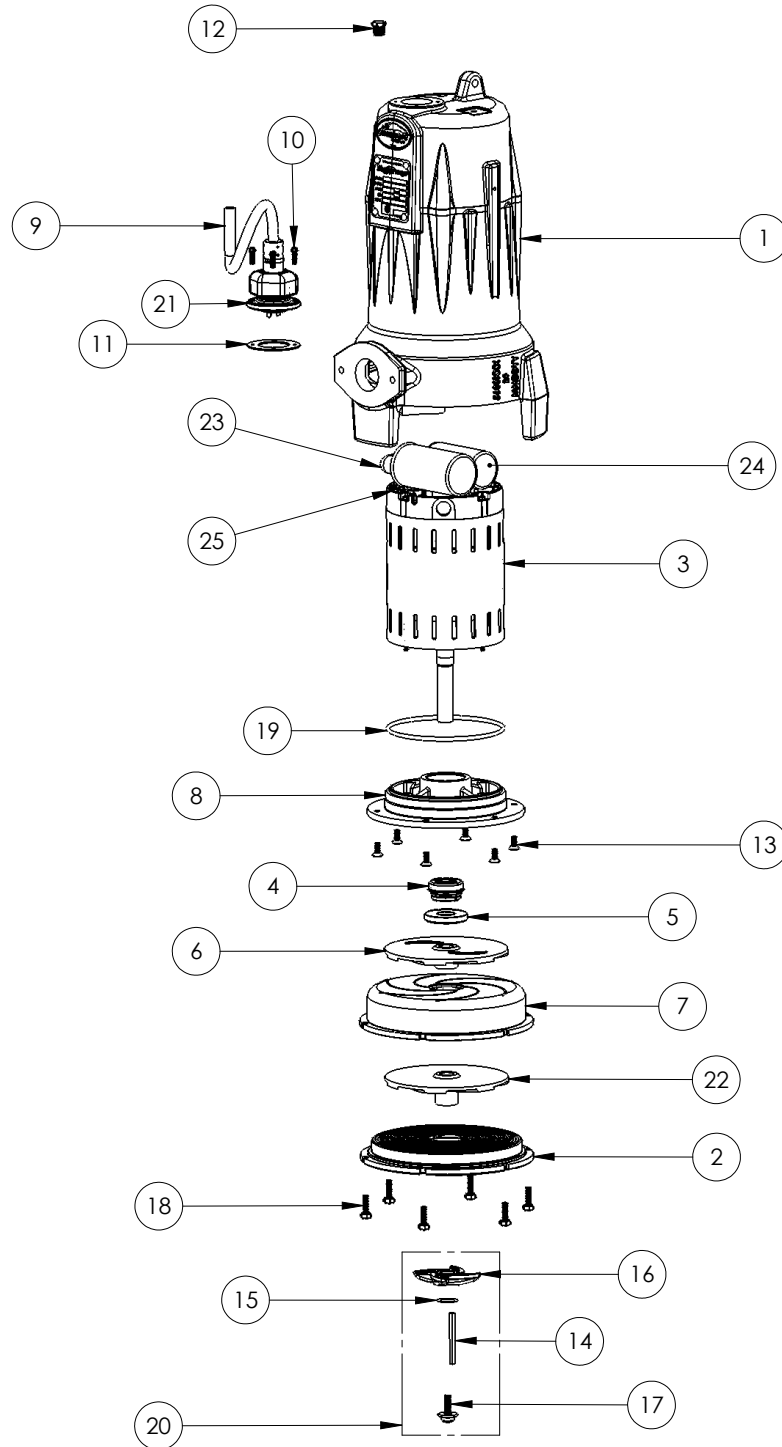
LSGX202-REP (B53)

#	PART #	DESCRIPTION	QTY	Note
1	573300R	OMNIVORE HOUSING, 2 STAGE	1	
2	K001395	CUTTER PLATE	1	
3	5734000	MOTOR 230V 1PH	1	[1]
4	5633000	3/4" UNITIZED SHAFT SEAL	1	[1]
5	5618000	DOUBLE LIP SEAL	1	[1]
6	46600A0	TOP IMPELLER	1	
7	5380000	CROSSOVER	1	
8	5851000	MOTOR PLATE	1	
9	K001303	POWER CORD ASSY	1	
10	8064000	#8-32 x 5/8 HEX WASHER HEAD SCREW	4	
11	5060000	CORD PLATE GASKET	1	
12	5071000	BRASS OIL PLUG	1	
13	8018000	1/4-20 x 5/8 SLOTTED FLAT HEAD BOLT	6	
14	56350B0	KEY	1	
15	K001445	ROTARY CUTTER SHIM KIT	1	
16	5616900	ROTARY CUTTER	1	
17	56360A0	FLANGED IMPELLER BOLT	1	
18	8024000	1/4-20x7/8" HEX HEAD SS BOLT	6	
19	5617000	O-RING	1	
20	K001139	ROTARY CUTTER KIT	1	[2]
21	K001216	5619000, CORDPLATE	1	
22	46600B0	BOTTOM IMPELLER, STAINLESS STEEL	1	
23	K001228	RUN CAPACITOR	1	
24	K001227	START CAPACITOR	1	
25	K001229	START SWITCH	1	

PART NOTES:

- [1] - Part requires factory authorized service. Contact Liberty Pumps at 1-800-543-2550
- [2] - ForLSG GrinderCutter Replacment Instructions see LSG Grinder Cutter Replacement

LSGX202-REP (B91)



LSGX202-REP

LSGX202-REP (B91)

#	PART #	DESCRIPTION	QTY	Note
1	573300R	OMNIVORE HOUSING, 2 STAGE	1	
2	K001395	CUTTER PLATE	1	
3	5734000	MOTOR 230V 1PH	1	[1]
4	5633000	3/4" UNITIZED SHAFT SEAL	1	[1]
5	5618000	DOUBLE LIP SEAL	1	[1]
6	46600A0	TOP IMPELLER	1	
7	5380000	CROSSOVER	1	
8	5851000	MOTOR PLATE	1	
9	56880B0	POWER CORD ASSEMBLY, 230V 1 PH	1	
10	8064000	#8-32 x 5/8 HEX WASHER HEAD SCREW	4	
11	5060000	CORD PLATE GASKET	1	
12	50710A0	PIPE PLUG, 1/4" HEX HD BRASS NPTF	1	
13	8018000	1/4-20 x 5/8 SLOTTED FLAT HEAD BOLT	6	
14	56350B0	KEY	1	
15	K001445	ROTARY CUTTER SHIM KIT	1	
16	5616900	ROTARY CUTTER	1	
17	56360B0	FLANGED IMPELLER BOLT, M8 THREAD	1	
18	8024000	1/4-20x7/8" HEX HEAD SS BOLT	6	
19	5617000	O-RING	1	
20	K001139	ROTARY CUTTER KIT	1	[2]
21	K001216	5619000, CORDPLATE	1	
22	46600B0	BOTTOM IMPELLER, STAINLESS STEEL	1	
23	K001228	RUN CAPACITOR	1	
24	K001227	START CAPACITOR	1	
25	K001229	START SWITCH	1	

PART NOTES:

- [1] - Part requires factory authorized service. Contact Liberty Pumps at 1-800-543-2550
- [2] - ForLSG GrinderCutter Replacment Instructions see LSG Grinder Cutter Replacement