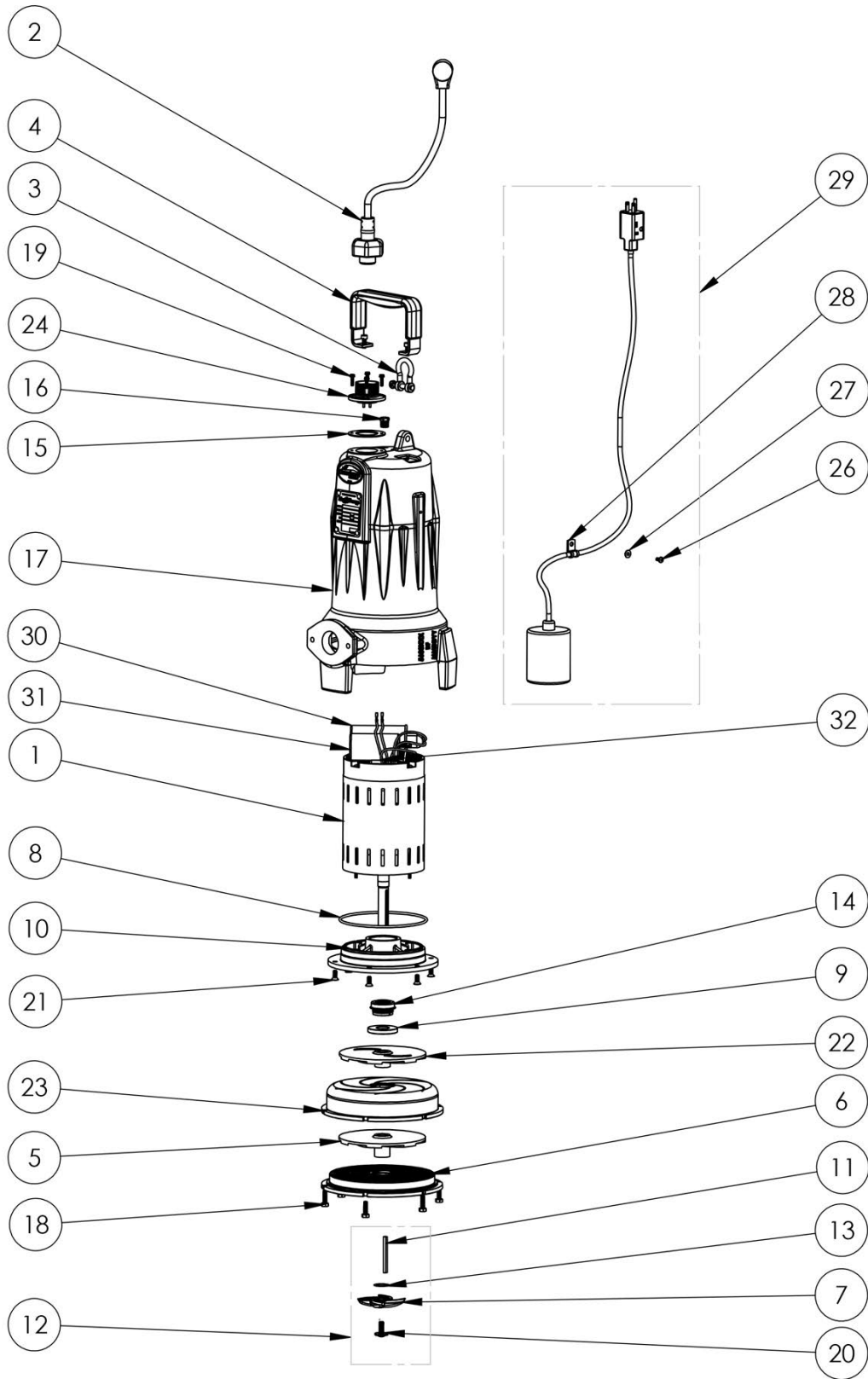


LSGX202A (B43)



LSGX202A

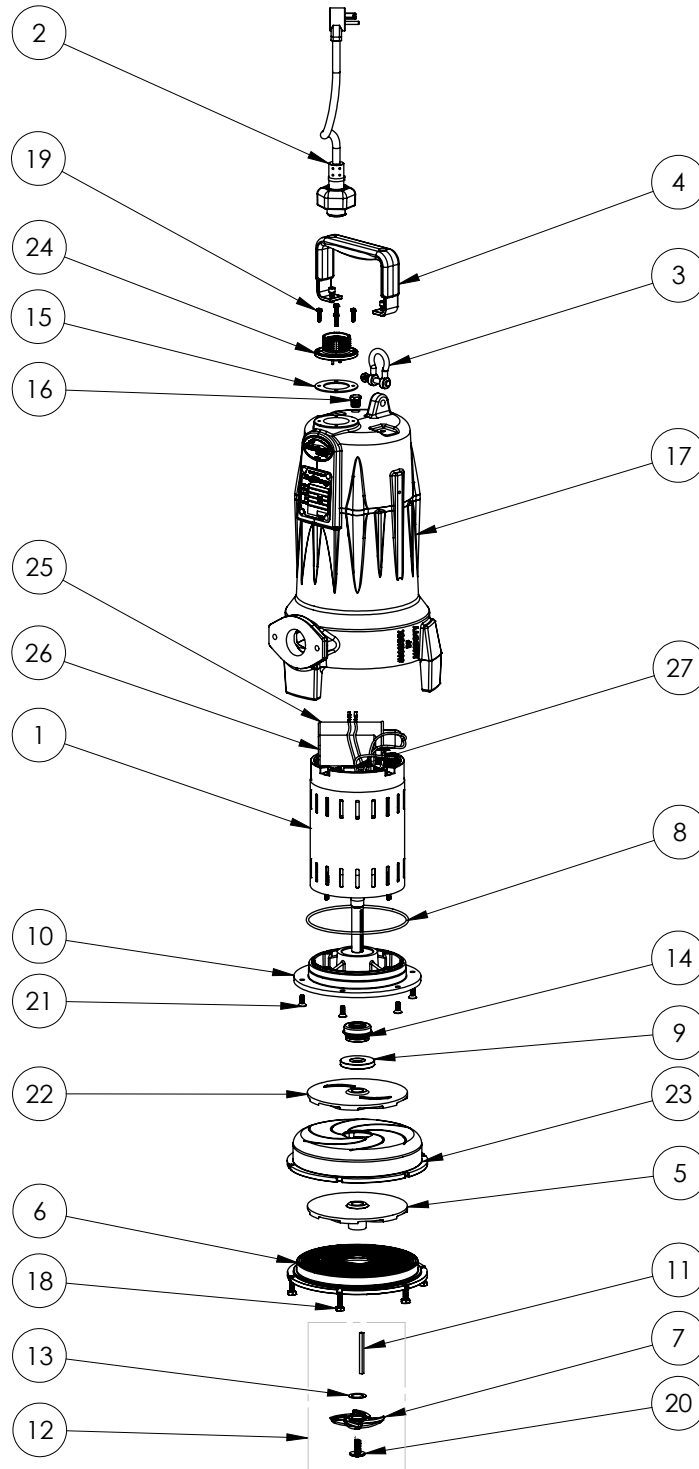
LSGX202A (B43)

#	PART #	DESCRIPTION	QTY	Note
1	5734000	MOTOR 230V 1PH	1	[1]
2	K001140	POWER CORD	1	
3	5611000	SHACKLE	1	
4	5613000	HANDLE	1	
5	46600B0	BOTTOM IMPELLER, STAINLESS STEEL	1	
6	K001395	CUTTER PLATE	1	
7	5616900	ROTARY CUTTER	1	
8	5617000	O-RING	1	
9	5618000	DOUBLE LIP SEAL	1	[1]
10	5851000	MOTOR PLATE	1	
11	56350B0	KEY	1	
12	K001139	ROTARY CUTTER KIT	1	[2]
13	K001445	ROTARY CUTTER SHIM KIT	1	
14	5633000	3/4" UNITIZED SHAFT SEAL	1	[1]
15	5060000	CORD PLATE GASKET	1	
16	50710A0	PIPE PLUG, 1/4" HEX HD BRASS NPTF	1	
17	573300R	OMNIVORE HOUSING, 2 STAGE	1	
18	8024000	1/4-20x7/8" HEX HEAD SS BOLT	6	
19	8064000	#8-32 x 5/8 HEX WASHER HEAD SCREW	4	
20	56360A0	FLANGED IMPELLER BOLT	1	
21	8018000	1/4-20 x 5/8 SLOTTED FLAT HEAD BOLT	6	
22	46600A0	TOP IMPELLER	1	
23	5380000	CROSSOVER	1	
24	K001216	5619000, CORDPLATE	1	
26	8082000	#10-24 x 3/8 EPOXY LOCK SCREW	1	
27	8141000	WASHER, #10 X 1/2 SS	1	
28	5630000	CABLE CLAMP S.S.	1	
29	K001136	SWITCH KIT	1	
30	K001228	RUN CAPACITOR	1	
31	K001227	START CAPACITOR	1	
32	K001229	START SWITCH	1	

PART NOTES:

- [1] - Part requires factory authorized service. Contact Liberty Pumps at 1-800-543-2550
- [2] - ForLSG GrinderCutter Replacment Instructions see LSG Grinder Cutter Replacement

LSGX202M (B43)



LSGX202M

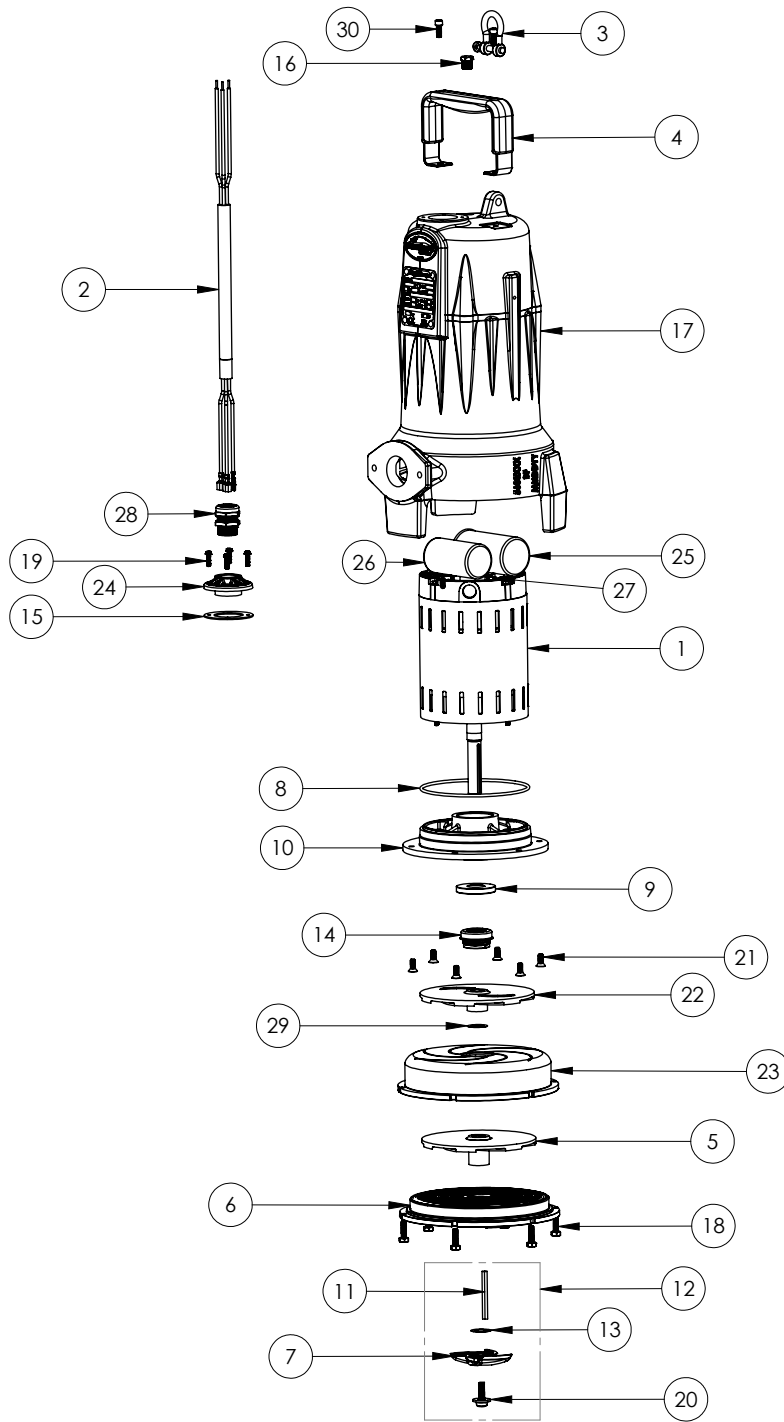
LSGX202M (B43)

#	PART #	DESCRIPTION	QTY	Note
1	5734000	MOTOR 230V 1PH	1	[1]
2	K001140	POWER CORD	1	
3	5611000	SHACKLE	1	
4	5613000	HANDLE	1	
5	46600B0	BOTTOM IMPELLER, STAINLESS STEEL	1	
6	K001395	CUTTER PLATE	1	
7	5616900	ROTARY CUTTER	1	
8	5617000	O-RING	1	
9	5618000	DOUBLE LIP SEAL	1	[1]
10	5851000	MOTOR PLATE	1	
11	56350B0	KEY	1	
12	K001139	ROTARY CUTTER KIT	1	[2]
13	K001445	ROTARY CUTTER SHIM KIT	1	
14	5633000	3/4" UNITIZED SHAFT SEAL	1	[1]
15	5060000	CORD PLATE GASKET	1	
16	50710A0	PIPE PLUG, 1/4" HEX HD BRASS NPTF	1	
17	573300R	OMNIVORE HOUSING, 2 STAGE	1	
18	8024000	1/4-20x7/8" HEX HEAD SS BOLT	6	
19	8064000	#8-32 x 5/8 HEX WASHER HEAD SCREW	4	
20	56360A0	FLANGED IMPELLER BOLT	1	
21	8018000	1/4-20 x 5/8 SLOTTED FLAT HEAD BOLT	6	
22	46600A0	TOP IMPELLER	1	
23	5380000	CROSSOVER	1	
24	K001216	5619000, CORDPLATE	1	
25	K001228	RUN CAPACITOR	1	
26	K001227	START CAPACITOR	1	
27	K001229	START SWITCH	1	

PART NOTES:

- [1] - Part requires factory authorized service. Contact Liberty Pumps at 1-800-543-2550
- [2] - ForLSG GrinderCutter Replacment Instructions see LSG Grinder Cutter Replacement

LSGX202M-3E (B84)



LSGX202M-3E

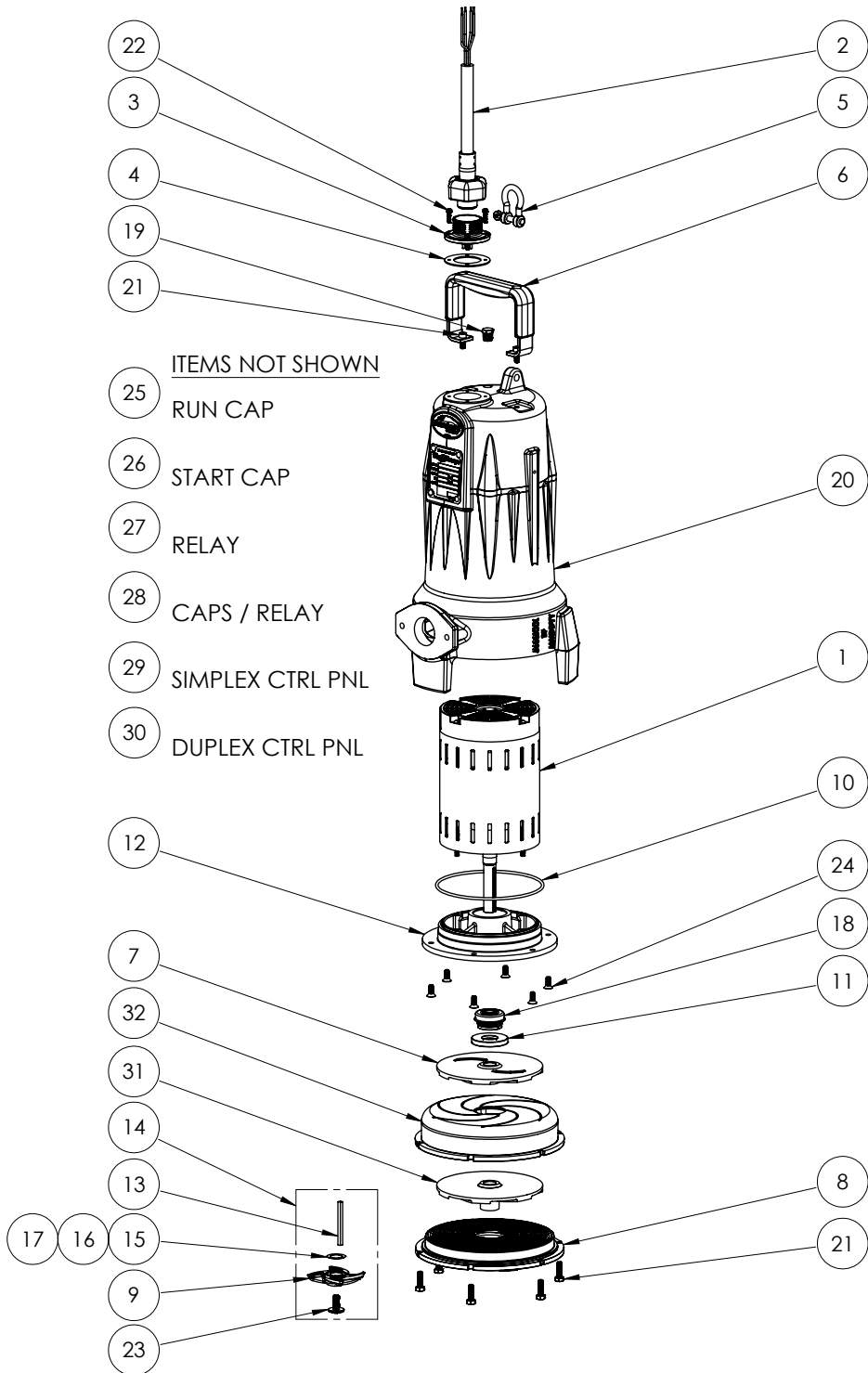
LSGX202M-3E (B84)

#	PART #	DESCRIPTION	QTY	Note
1	5734000	MOTOR 230V 1PH	1	[1]
2	K001418	IEC SINGLE PHASE 10M CORD KIT	1	
3	5611000	SHACKLE	1	
4	5613000	HANDLE	1	
5	46600B0	BOTTOM IMPELLER, STAINLESS STEEL	1	
6	K001395	CUTTER PLATE	1	
7	5616900	ROTARY CUTTER	1	
8	5617000	O-RING	1	
9	5618000	DOUBLE LIP SEAL	1	[1]
10	5851000	MOTOR PLATE	1	
11	56350B0	KEY	1	
12	K001139	ROTARY CUTTER KIT	1	[2]
13	K001445	ROTARY CUTTER SHIM KIT	1	
14	5633000	3/4" UNITIZED SHAFT SEAL	1	[1]
15	5060000	CORD PLATE GASKET	1	
16	50710A0	PIPE PLUG, 1/4" HEX HD BRASS NPTF	1	
17	573300R	OMNIVORE HOUSING, 2 STAGE	1	
18	8024000	1/4-20x7/8" HEX HEAD SS BOLT	6	
19	8064000	#8-32 x 5/8 HEX WASHER HEAD SCREW	4	
20	56360A0	FLANGED IMPELLER BOLT	1	
21	8018000	1/4-20 x 5/8 SLOTTED FLAT HEAD BOLT	6	
22	46600A0	TOP IMPELLER	1	
23	5380000	CROSSOVER	1	
24	57890AR	PAINTED 3/4 NPT, CE CORD PLATE	1	
25	K001228	RUN CAPACITOR	1	
26	K001227	START CAPACITOR	1	
27	K001229	START SWITCH	1	
28	5790000	STRAIN RELIEF, 3/4 NPT STAINLESS, IEC	1	
29	5623000	WASHER, ARBOR SHIM .005	1	
30	8103000	SCREW 1/4-20x5/8" HX SKT SS	2	

PART NOTES:

- [1] - Part requires factory authorized service. Contact Liberty Pumps at 1-800-543-2550
- [2] - ForLSG GrinderCutter Replacment Instructions see LSG Grinder Cutter Replacement

LSGX202M-C (B52)



LSGX202M-C B52

LSGX202M-C

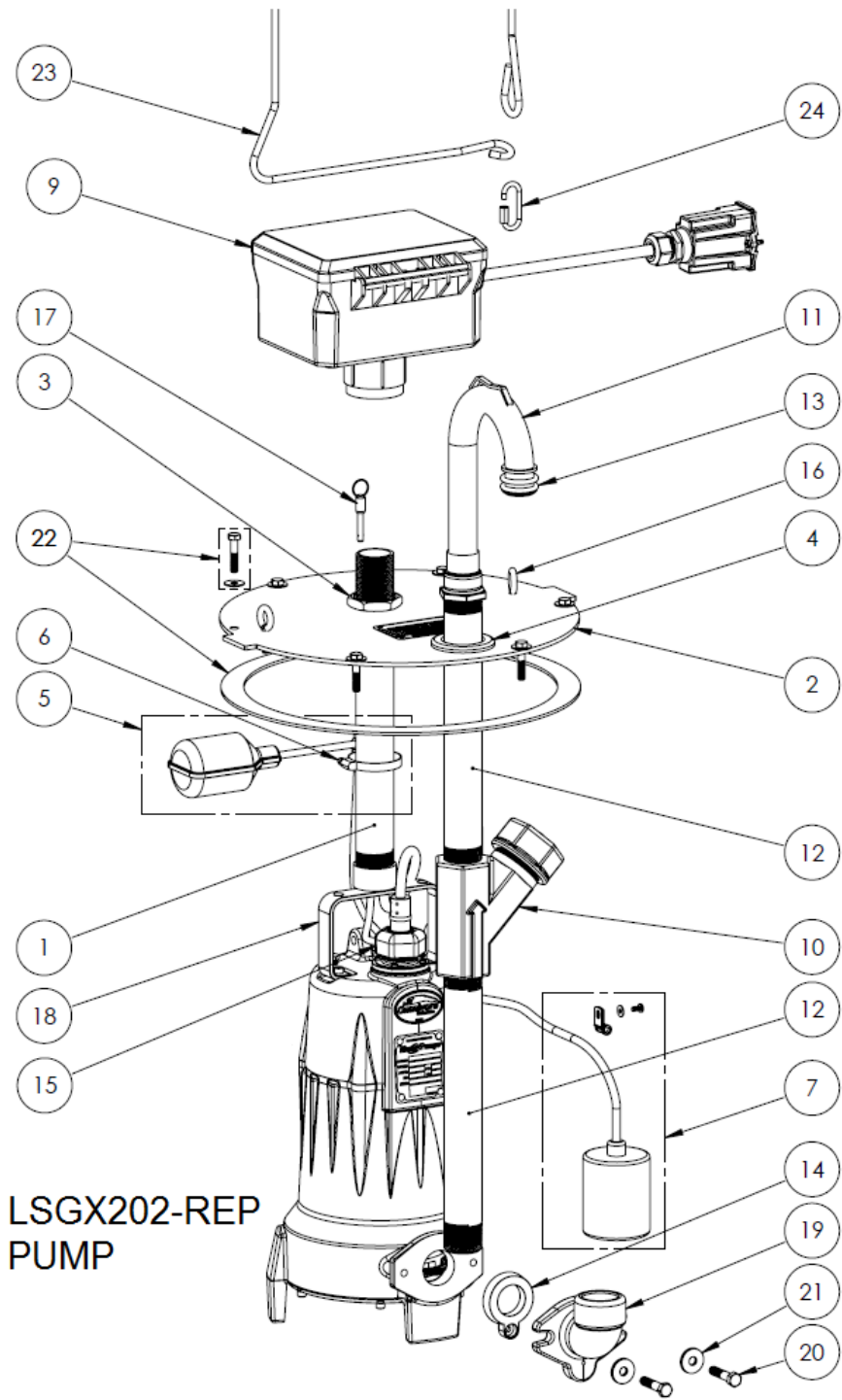
LSGX202M-C (B52)

#	PART #	DESCRIPTION	QTY	Note
1	5740000	MOTOR	1	[1]
2	K001358	POWER CORD, 35FT	1	
3	5629000	GRINDER CORDPLATE	1	
4	5060000	CORD PLATE GASKET	1	
5	5611000	SHACKLE	1	
6	5613000	HANDLE	1	
7	K001538	GRINDER IMPELLER KIT	1	
8	K001395	CUTTER PLATE	1	
9	5616900	ROTARY CUTTER	1	
10	5617000	O-RING	1	
11	5618000	DOUBLE LIP SEAL	1	[1]
12	5632000	MOTOR PLATE	1	[1]
13	56350A0	KEY	1	
14	K001139	ROTARY CUTTER KIT	1	[2]
15	K001445	ROTARY CUTTER SHIM KIT	1	
16	K001445	ROTARY CUTTER SHIM KIT	1	
17	K001445	ROTARY CUTTER SHIM KIT	1	
18	5633000	3/4" UNITIZED SHAFT SEAL	1	[1]
19	50710A0	PIPE PLUG, 1/4" HEX HD BRASS NPTF	1	
20	573300R	OMNIVORE HOUSING, 2 STAGE	1	
21	8103000	SCREW 1/4-20x5/8" HX SKT SS	8	
22	8064000	#8-32 x 5/8 HEX WASHER HEAD SCREW	4	
23	56360A0	FLANGED IMPELLER BOLT	1	
24	8018000	1/4-20 x 5/8 SLOTTED FLAT HEAD BOLT	6	
25	K001228	RUN CAPACITOR	1	
26	K001227	START CAPACITOR	1	
27	K001315	RELAY	1	
28	K001316	CAPS / RELAY	1	
29	SXHC24=3	SIMPLEX CONTROL PANEL	1	
30	AE24HC=3	DUPLEX CONTROL PANEL	1	

PART NOTES:

- [1] - Part requires factory authorized service. Contact Liberty Pumps at 1-800-543-2550
- [2] - ForLSG GrinderCutter Replacment Instructions see LSG Grinder Cutter Replacement

LSGX202-RE (B53)



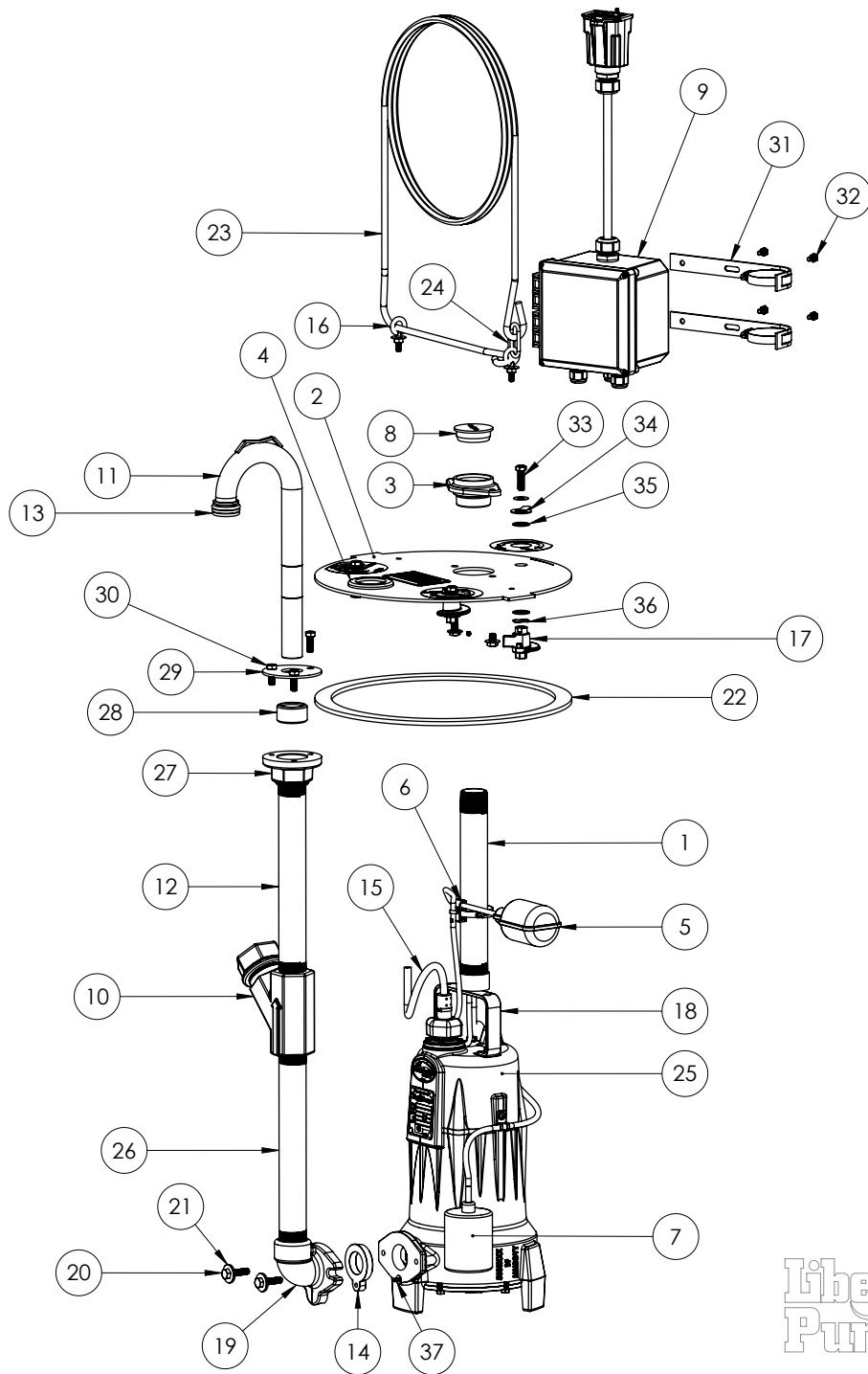
LSGX202-RE**LSGX202-RE (B53)**

#	PART #	DESCRIPTION	QTY	Note
1	5669000	1-1/4" PIPE HANGER, STRAIGHT THREADS	1	
2	5661000	COVER	1	
3	5670000	1-1/4" GALVANIZED PIPE NUT	2	
4	K001353	4766000 PIPE SEAL GROMMET, 1-1/4" PIPE	1	
5	K001301	ALARM SWITCH WITH CLAMP	1	
6	5870000	SWITCH CLAMP	1	
7	K001302	PUMP SWITCH INCLUDING HARDWARE	1	
9	K001244	ELECTRICAL ENCLOSURE	1	
10	ACV125	1.25" ANTI-SIPHON VALVE	1	
11	5738000	DISCHARGE ELBOW, STAINLESS STEEL	1	
12	56710A0	DISCHARGE PIPE, 1-1/4", STAINLESS STEEL	2	
13	5666000	O-RING	2	[1]
14	5644000	1-1/4" FLANGE SEAL GROMMET	1	
15	K001303	POWER CORD ASSY	1	
16	5673000	EYEBOLT	2	
17	5662000	QUICK RELEASE PIN	1	
18	56740A0	PUMP HANDLE / HANGER	1	
19	G90	FLANGED ELBOW KIT, INCLUDES GASKET, SCREWS AND WASHER	1	
20	8143000	SCREW, 3/8-16 x 1-3/4 LG, SS	2	
21	8158000	WASHER, 3/8 x 1-1/8, SS	2	
22	K001304	COVER GASKET INCLUDING HARDWARE	1	
23	5667000	14 FT BLACK ROPE, SPECIAL ENDS	1	
24	4755000	3/16" QUICK LINK, STAINLESS STEEL	1	

PART NOTES:

[1] - Part requires factory authorized service. Contact Liberty Pumps at 1-800-543-2550

LSGX202-RE (B73)



LSGX202-RE

LSGX202-RE (B73)

#	PART #	DESCRIPTION	QTY	Note
1	8552000	1-1/4" PIPE HANGER	1	
2	8549000	COVER	1	
3	855100B	PIPE SUPPORT FLANGE	2	
4	4766000	1-1/4" PIPE SEAL GROMMET	1	[1]
5	60050C0	ALARM SWITCH	1	
6	5870000	SWITCH CLAMP	1	
7	57370A0	FLOAT SWITCH	1	
8	45480C0	3 HOLE STOPPER	1	
9	85480A0	CONTROL BOX	1	
10	5681000	ANTI-SIPHON CHECK VALVE, 1-1/4" NPT	1	
11	8570000	DISCHARGE ELBOW, STAINLESS STEEL	1	[2]
12	K001500	DISCHARGE PIPE, 1-1/4", SS 13" LONG	2	
13	8571000	DISCHARGE SEAL	2	
14	5644000	1-1/4" FLANGE SEAL GROMMET	1	
15	56880B0	POWER CORD ASSEMBLY, 230V 1 PH	1	
16	5673000	EYEBOLT	2	
17	8561200	CAM LOCK	1	
18	56740A0	PUMP HANDLE / HANGER	1	
19	565400R	FLANGED ELBOW	1	
20	8110000	3/8-16 x 1-1/2" STAINLESS STEEL HEXBOLT 3/8-16X1-1/2 316SS	2	
21	8158000	WASHER, 3/8 x 1-1/8, SS	2	
22	4071RB0	COVER GASKET	1	
23	5667000	14 FT BLACK ROPE, SPECIAL ENDS	1	
24	4755000	3/16" QUICK LINK, STAINLESS STEEL	1	
25	LSGX202-REP	2-STAGE GRINDER REPLACEMENT FOR -RE	1	
26	K001500	DISCHARGE PIPE, 1-1/4", SS 13" LONG	1	
27	8556200	DISCHARGE FLANGE FOR -RE	1	
28	8558000	DISCHARGE SEAL	1	
29	8557000	DISCHARGE SEAL PLATE	1	
30	8106000	BOLT 3/8-16x1 316 SS HEX	3	
31	8568000	BRACKET-CONTROL BOX	2	
32	8030000	BOLT 1/4-20 X 1/2 HX HEAD SS	4	
33	8566000	BOLT 3/8-16 x 1-1/4" SS	1	
34	8562000	CAM LOCK POINTER	1	
35	8565000	FLAT WASHER - NYLON	1	
36	8563000	SPRING WASHER	1	
37	8141000	WASHER, #10 X 1/2 SS	1	

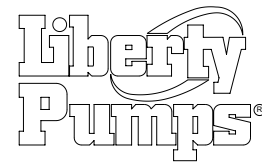
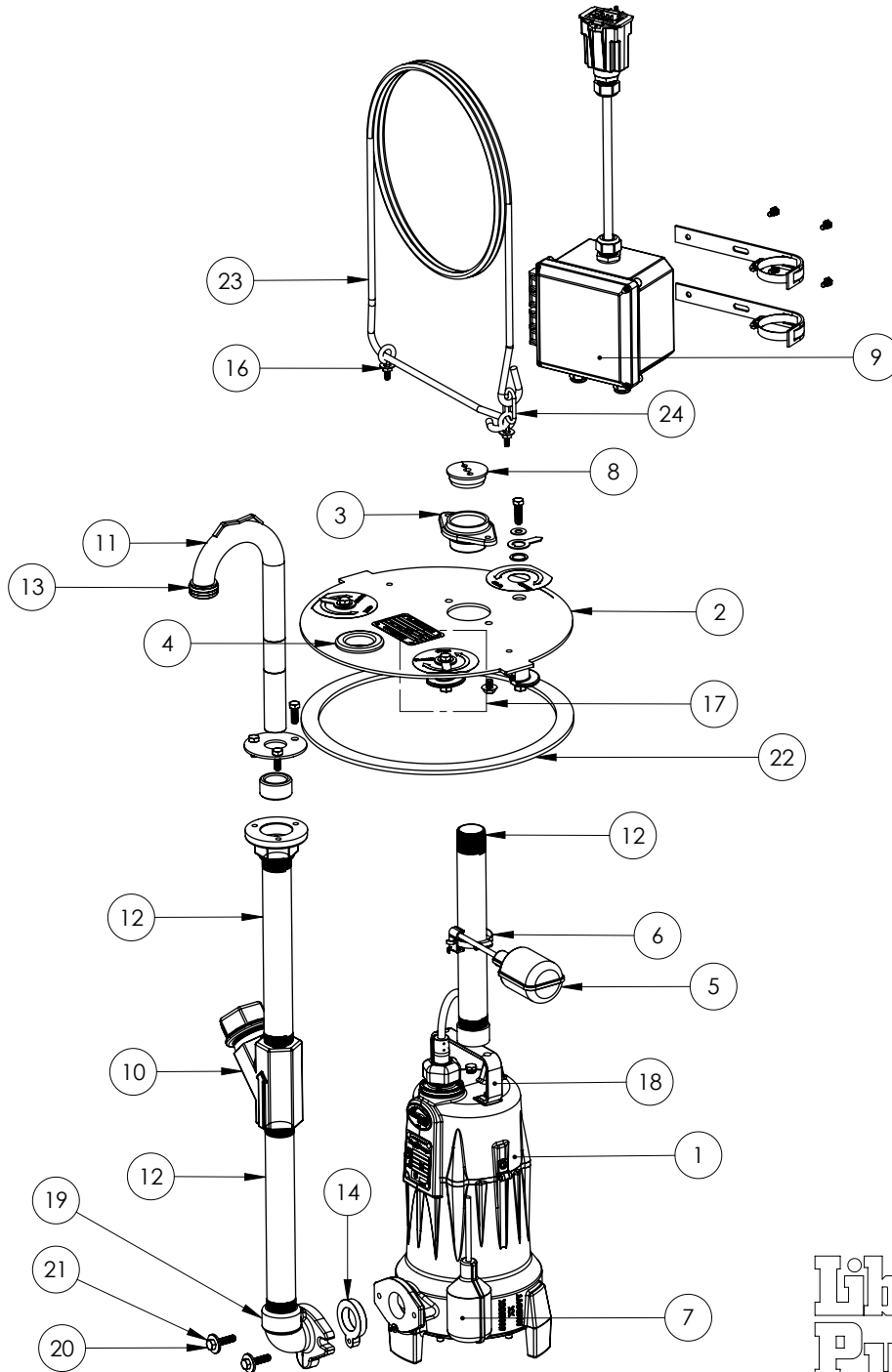
PART NOTES:

- [1] - Part requires factory authorized service. Contact Liberty Pumps at 1-800-543-2550
- [2] - K001498: RE-DISCHARGE KIT

Includes:

\k001498.jpg" align=left>

LSGX202-RE (B91)



LSGX202-RE

LSGX202-RE (B91)

#	PART #	DESCRIPTION	QTY	Note
1	LSGX202-REP	2-STAGE GRINDER REPLACEMENT FOR -RE	1	
2	8549000	COVER	1	
3	855100B	PIPE SUPPORT FLANGE	2	
4	K001353	4766000 PIPE SEAL GROMMET, 1-1/4" PIPE	1	
5	K001428	SWITCH KIT, 60050C0 12' RE CORD	1	
6	5870000	SWITCH CLAMP	1	
7	K001532	KIT, WIDE ANGLE PILOT DUTY NO 12'	1	
8	45480C0	3 HOLE STOPPER	1	
9	K001550	KIT, RE ENCLOSURE (SQUARE) AND BRACKETS	1	
10	ACV125	1.25" ANTI-SIPHON VALVE	1	
11	8570000	DISCHARGE ELBOW, STAINLESS STEEL	1	[1]
12	K001500	DISCHARGE PIPE, 1-1/4", SS 13" LONG	2	
13	8571000	DISCHARGE SEAL	2	
14	5644000	1-1/4" FLANGE SEAL GROMMET	1	
15	56880B0	POWER CORD ASSEMBLY, 230V 1 PH	1	
16	5673000	EYEBOLT	2	
17	8560E00	CAM LOCK ASSEMBLY	1	
18	56740A0	PUMP HANDLE / HANGER	1	
19	565400R	FLANGED ELBOW	1	
20	8110000	3/8-16 x 1-1/2" STAINLESS STEEL HEXBOLT 3/8-16X1-1/2 316SS	2	
21	8158000	WASHER, 3/8 x 1-1/8, SS	2	
22	K001438	COVER GASKET KIT, 4071RB0	1	
23	56670A0	ROPE 5/8 HOLLOW BRADE	1	
24	4755000	3/16" QUICK LINK, STAINLESS STEEL	1	

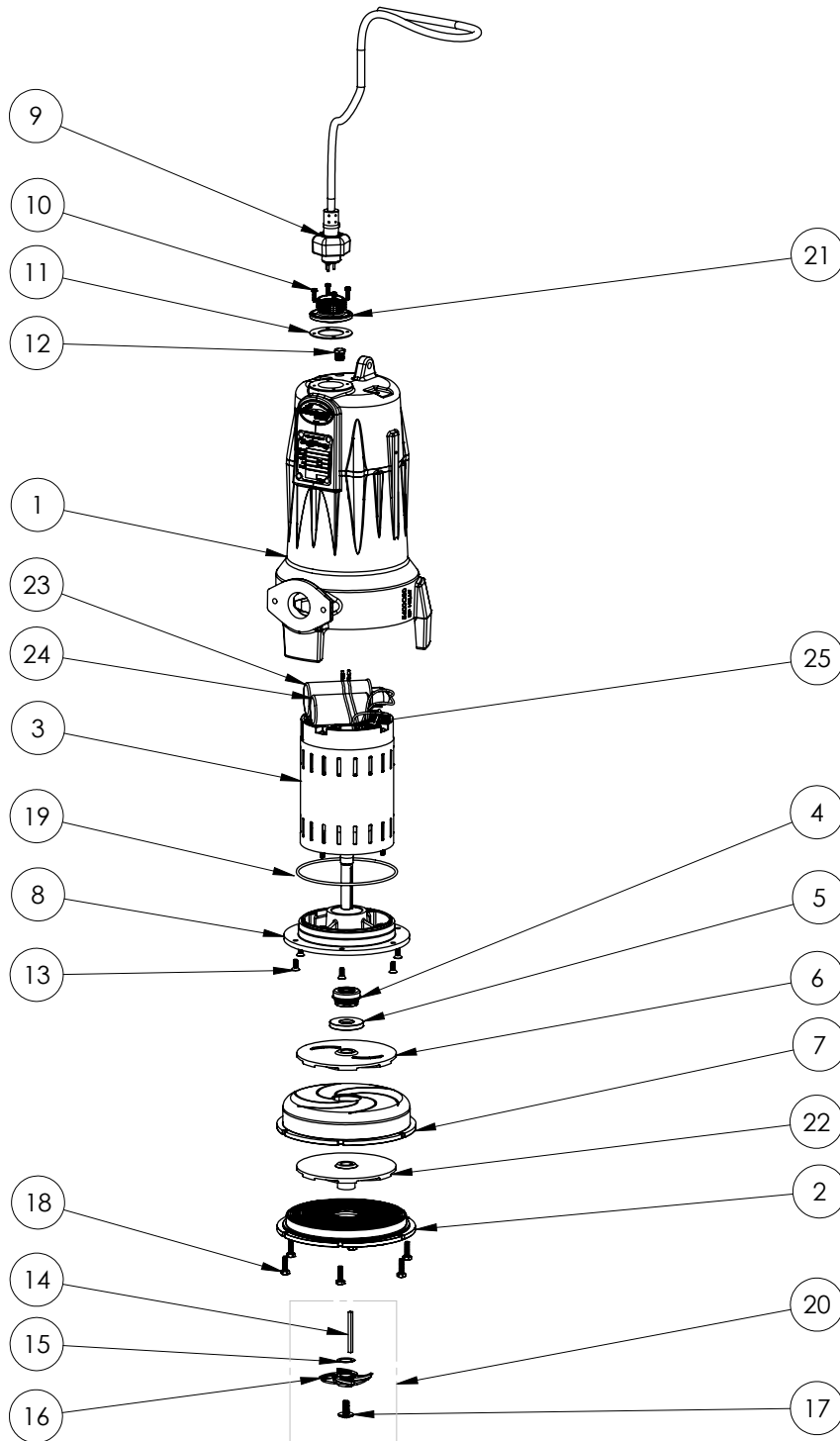
PART NOTES:

[1] - K001498: RE-DISCHARGE KIT

Includes:

\\k001498.jpg" align=left>

LSGX202-REP (B43)



LSGX202-REP

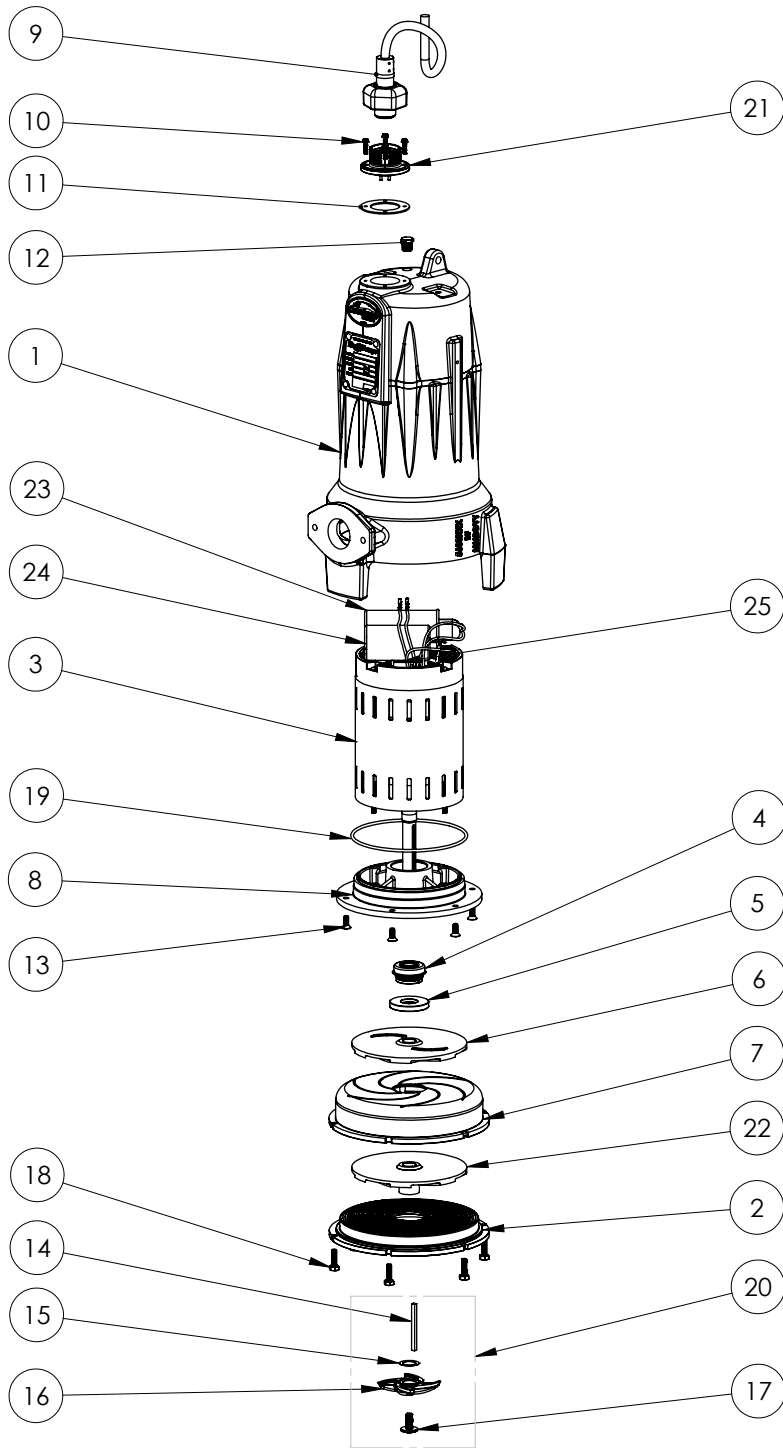
LSGX202-REP (B43)

#	PART #	DESCRIPTION	QTY	Note
1	573300R	OMNIVORE HOUSING, 2 STAGE	1	
2	K001395	CUTTER PLATE	1	
3	5734000	MOTOR 230V 1PH	1	[1]
4	5633000	3/4" UNITIZED SHAFT SEAL	1	[1]
5	5618000	DOUBLE LIP SEAL	1	[1]
6	46600A0	TOP IMPELLER	1	
7	5380000	CROSSOVER	1	
8	5851000	MOTOR PLATE	1	
9	K001303	POWER CORD ASSY	1	
10	8064000	#8-32 x 5/8 HEX WASHER HEAD SCREW	4	
11	5060000	CORD PLATE GASKET	1	
12	5071000	BRASS OIL PLUG	1	
13	8018000	1/4-20 x 5/8 SLOTTED FLAT HEAD BOLT	6	
14	56350B0	KEY	1	
15	K001445	ROTARY CUTTER SHIM KIT	1	
16	5616900	ROTARY CUTTER	1	
17	56360A0	FLANGED IMPELLER BOLT	1	
18	8024000	1/4-20x7/8" HEX HEAD SS BOLT	6	
19	5617000	O-RING	1	
20	K001139	ROTARY CUTTER KIT	1	[2]
21	K001216	5619000, CORDPLATE	1	
22	46600B0	BOTTOM IMPELLER, STAINLESS STEEL	1	
23	K001228	RUN CAPACITOR	1	
24	K001227	START CAPACITOR	1	
25	K001229	START SWITCH	1	

PART NOTES:

- [1] - Part requires factory authorized service. Contact Liberty Pumps at 1-800-543-2550
- [2] - ForLSG GrinderCutter Replacment Instructions see LSG Grinder Cutter Replacement

LSGX202-REP (B53)



LSGX202-REP

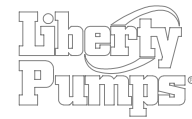
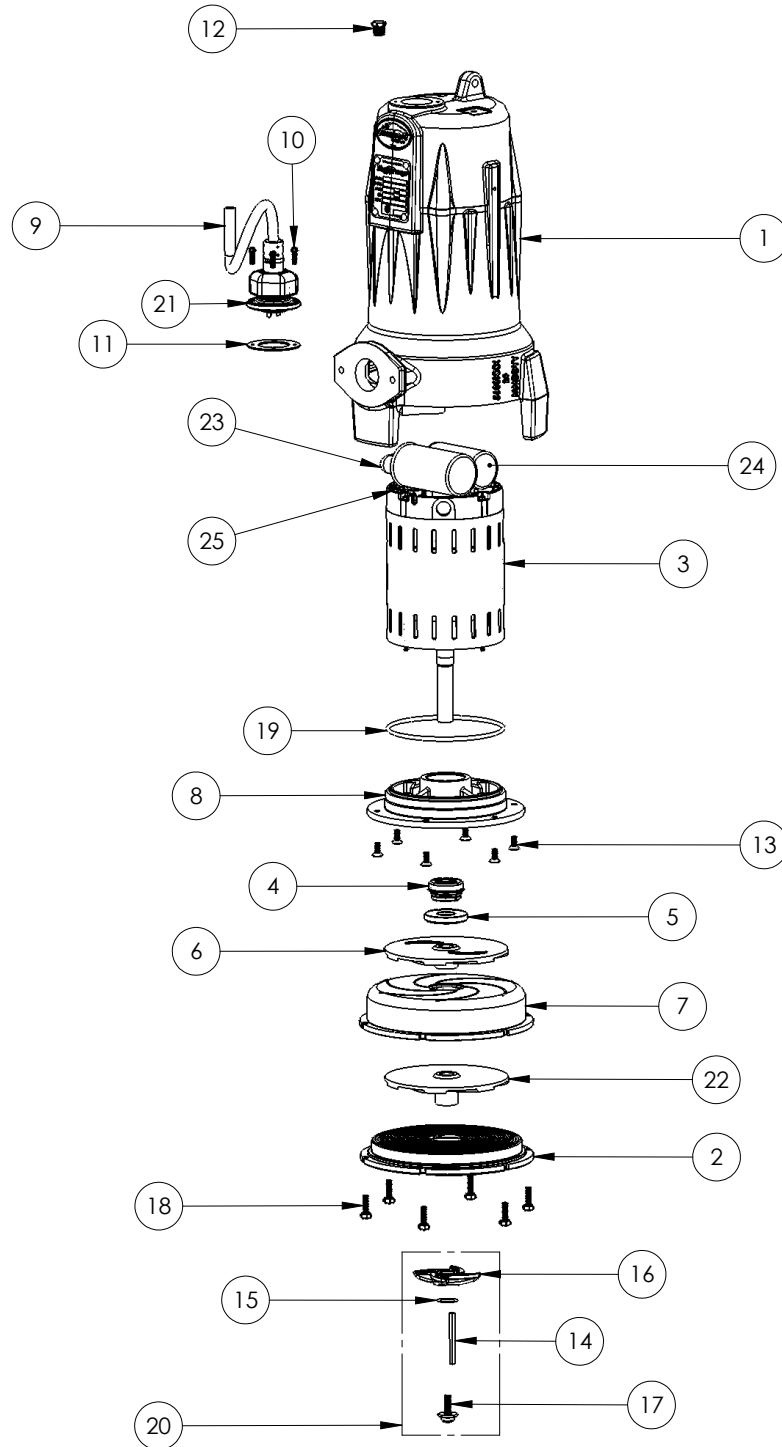
LSGX202-REP (B53)

#	PART #	DESCRIPTION	QTY	Note
1	573300R	OMNIVORE HOUSING, 2 STAGE	1	
2	K001395	CUTTER PLATE	1	
3	5734000	MOTOR 230V 1PH	1	[1]
4	5633000	3/4" UNITIZED SHAFT SEAL	1	[1]
5	5618000	DOUBLE LIP SEAL	1	[1]
6	46600A0	TOP IMPELLER	1	
7	5380000	CROSSOVER	1	
8	5851000	MOTOR PLATE	1	
9	K001303	POWER CORD ASSY	1	
10	8064000	#8-32 x 5/8 HEX WASHER HEAD SCREW	4	
11	5060000	CORD PLATE GASKET	1	
12	5071000	BRASS OIL PLUG	1	
13	8018000	1/4-20 x 5/8 SLOTTED FLAT HEAD BOLT	6	
14	56350B0	KEY	1	
15	K001445	ROTARY CUTTER SHIM KIT	1	
16	5616900	ROTARY CUTTER	1	
17	56360A0	FLANGED IMPELLER BOLT	1	
18	8024000	1/4-20x7/8" HEX HEAD SS BOLT	6	
19	5617000	O-RING	1	
20	K001139	ROTARY CUTTER KIT	1	[2]
21	K001216	5619000, CORDPLATE	1	
22	46600B0	BOTTOM IMPELLER, STAINLESS STEEL	1	
23	K001228	RUN CAPACITOR	1	
24	K001227	START CAPACITOR	1	
25	K001229	START SWITCH	1	

PART NOTES:

- [1] - Part requires factory authorized service. Contact Liberty Pumps at 1-800-543-2550
- [2] - ForLSG GrinderCutter Replacment Instructions see LSG Grinder Cutter Replacement

LSGX202-REP (B91)



LSGX202-REP

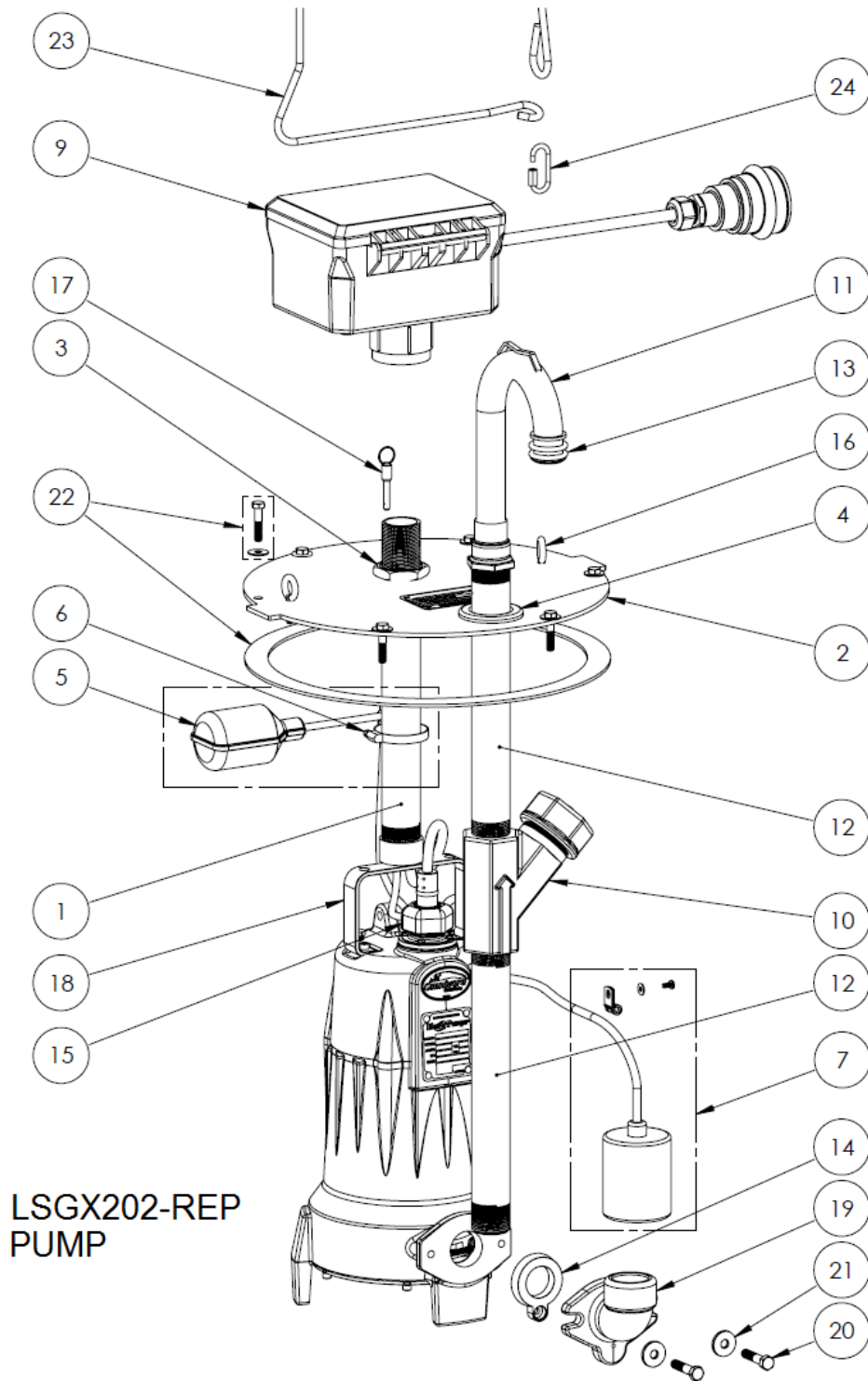
LSGX202-REP (B91)

#	PART #	DESCRIPTION	QTY	Note
1	573300R	OMNIVORE HOUSING, 2 STAGE	1	
2	K001395	CUTTER PLATE	1	
3	5734000	MOTOR 230V 1PH	1	[1]
4	5633000	3/4" UNITIZED SHAFT SEAL	1	[1]
5	5618000	DOUBLE LIP SEAL	1	[1]
6	46600A0	TOP IMPELLER	1	
7	5380000	CROSSOVER	1	
8	5851000	MOTOR PLATE	1	
9	56880B0	POWER CORD ASSEMBLY, 230V 1 PH	1	
10	8064000	#8-32 x 5/8 HEX WASHER HEAD SCREW	4	
11	5060000	CORD PLATE GASKET	1	
12	50710A0	PIPE PLUG, 1/4" HEX HD BRASS NPTF	1	
13	8018000	1/4-20 x 5/8 SLOTTED FLAT HEAD BOLT	6	
14	56350B0	KEY	1	
15	K001445	ROTARY CUTTER SHIM KIT	1	
16	5616900	ROTARY CUTTER	1	
17	56360B0	FLANGED IMPELLER BOLT, M8 THREAD	1	
18	8024000	1/4-20x7/8" HEX HEAD SS BOLT	6	
19	5617000	O-RING	1	
20	K001139	ROTARY CUTTER KIT	1	[2]
21	K001216	5619000, CORDPLATE	1	
22	46600B0	BOTTOM IMPELLER, STAINLESS STEEL	1	
23	K001228	RUN CAPACITOR	1	
24	K001227	START CAPACITOR	1	
25	K001229	START SWITCH	1	

PART NOTES:

- [1] - Part requires factory authorized service. Contact Liberty Pumps at 1-800-543-2550
- [2] - ForLSG GrinderCutter Replacment Instructions see LSG Grinder Cutter Replacement

LSGX202-REX (B53)



LSGX202-REX

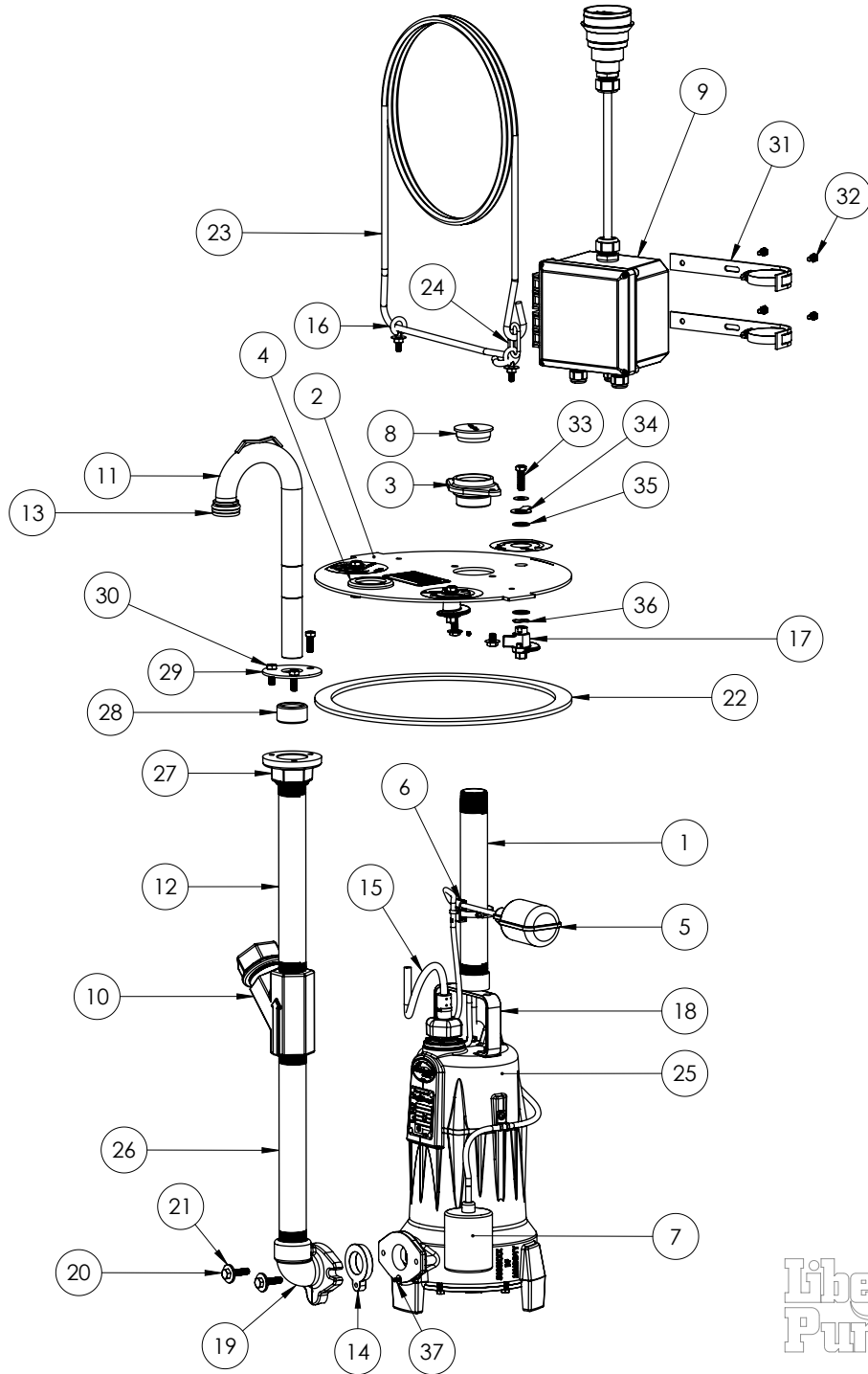
LSGX202-REX (B53)

#	PART #	DESCRIPTION	QTY	Note
1	5669000	1-1/4" PIPE HANGER, STRAIGHT THREADS	1	
2	5661000	COVER	1	
3	5670000	1-1/4" GALVANIZED PIPE NUT	2	
4	K001353	4766000 PIPE SEAL GROMMET, 1-1/4" PIPE	1	
5	K001301	ALARM SWITCH WITH CLAMP	1	
6	5870000	SWITCH CLAMP	1	
7	K001302	PUMP SWITCH INCLUDING HARDWARE	1	
9	K001382	CONTROL BOX (ROUND HOOD CONNECTOR)	1	
10	ACV125	1.25" ANTI-SIPHON VALVE	1	
11	5738000	DISCHARGE ELBOW, STAINLESS STEEL	1	
12	56710A0	DISCHARGE PIPE, 1-1/4", STAINLESS STEEL	2	
13	5666000	O-RING	2	[1]
14	5644000	1-1/4" FLANGE SEAL GROMMET	1	
15	K001303	POWER CORD ASSY	1	
16	5673000	EYEBOLT	2	
17	5662000	QUICK RELEASE PIN	1	
18	56740A0	PUMP HANDLE / HANGER	1	
19	G90	FLANGED ELBOW KIT, INCLUDES GASKET, SCREWS AND WASHER	1	
20	8143000	SCREW, 3/8-16 x 1-3/4 LG, SS	2	
21	8158000	WASHER, 3/8 x 1-1/8, SS	2	
22	K001304	COVER GASKET INCLUDING HARDWARE	1	
23	5667000	14 FT BLACK ROPE, SPECIAL ENDS	1	
24	4755000	3/16" QUICK LINK, STAINLESS STEEL	1	

PART NOTES:

[1] - Part requires factory authorized service. Contact Liberty Pumps at 1-800-543-2550

LSGX202-REX (B73)



LSGX202-REX

LSGX202-REX (B73)

#	PART #	DESCRIPTION	QTY	Note
1	8552000	1-1/4" PIPE HANGER	1	
2	8549000	COVER	1	
3	855100B	PIPE SUPPORT FLANGE	2	
4	4766000	1-1/4" PIPE SEAL GROMMET	1	[1]
5	60050C0	ALARM SWITCH	1	
6	5870000	SWITCH CLAMP	1	
7	57370A0	FLOAT SWITCH	1	
8	45480C0	3 HOLE STOPPER	1	
9	K001463	RE ELECTRIC BOX CONVERT KIT ROUND	1	
10	5681000	ANTI-SIPHON CHECK VALVE, 1-1/4" NPT	1	
11	8570000	DISCHARGE ELBOW, STAINLESS STEEL	1	[2]
12	K001500	DISCHARGE PIPE, 1-1/4", SS 13" LONG	2	
13	8571000	DISCHARGE SEAL	2	
14	5644000	1-1/4" FLANGE SEAL GROMMET	1	
15	56880B0	POWER CORD ASSEMBLY, 230V 1 PH	1	
16	5673000	EYEBOLT	2	
17	8561200	CAM LOCK	1	
18	56740A0	PUMP HANDLE / HANGER	1	
19	565400R	FLANGED ELBOW	1	
20	8110000	3/8-16 x 1-1/2" STAINLESS STEEL HEXBOLT 3/8-16X1-1/2 316SS	2	
21	8158000	WASHER, 3/8 x 1-1/8, SS	2	
22	4071RB0	COVER GASKET	1	
23	5667000	14 FT BLACK ROPE, SPECIAL ENDS	1	
24	4755000	3/16" QUICK LINK, STAINLESS STEEL	1	
25	LSGX202-REP	2-STAGE GRINDER REPLACEMENT FOR -RE	1	
26	K001500	DISCHARGE PIPE, 1-1/4", SS 13" LONG	1	
27	8556200	DISCHARGE FLANGE FOR -RE	1	
28	8558000	DISCHARGE SEAL	1	
29	8557000	DISCHARGE SEAL PLATE	1	
30	8106000	BOLT 3/8-16x1 316 SS HEX	3	
31	8568000	BRACKET-CONTROL BOX	2	
32	8030000	BOLT 1/4-20 X 1/2 HX HEAD SS	4	
33	8566000	BOLT 3/8-16 x 1-1/4" SS	1	
34	8562000	CAM LOCK POINTER	1	
35	8565000	FLAT WASHER - NYLON	1	
36	8563000	SPRING WASHER	1	
37	8141000	WASHER, #10 X 1/2 SS	1	

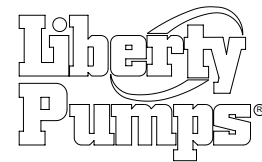
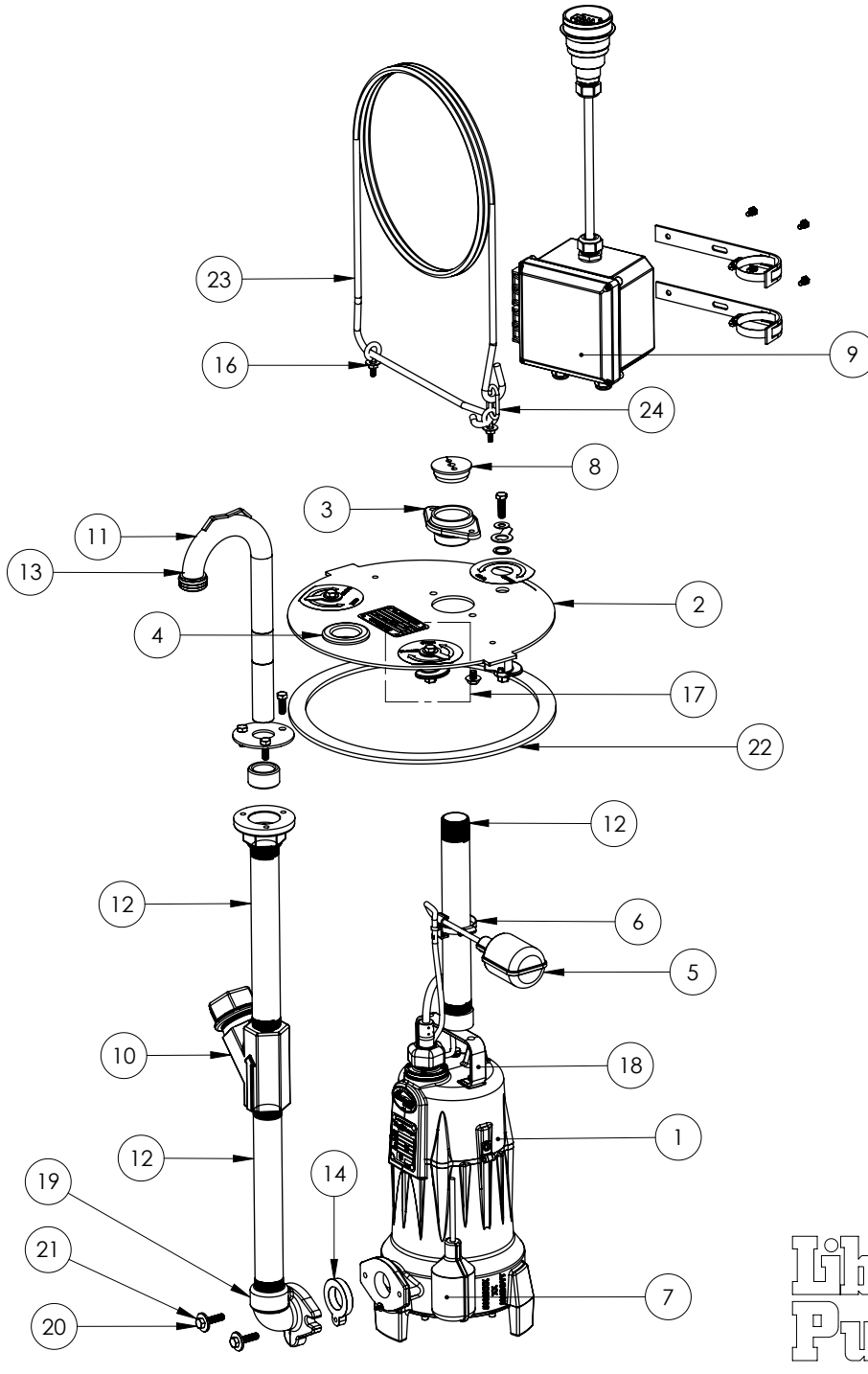
PART NOTES:

- [1] - Part requires factory authorized service. Contact Liberty Pumps at 1-800-543-2550
- [2] - K001498: RE-DISCHARGE KIT

Includes:

\k001498.jpg" align=left>

LSGX202-REX (B91)



LSGX202-REX

LSGX202-REX (B91)

#	PART #	DESCRIPTION	QTY	Note
1	LSGX202-REP	2-STAGE GRINDER REPLACEMENT FOR -RE	1	
2	8549000	COVER	1	
3	855100B	PIPE SUPPORT FLANGE	2	
4	K001353	4766000 PIPE SEAL GROMMET, 1-1/4" PIPE	1	
5	K001428	SWITCH KIT, 60050C0 12' RE CORD	1	
6	5870000	SWITCH CLAMP	1	
7	K001532	KIT, WIDE ANGLE PILOT DUTY NO 12'	1	
8	45480C0	3 HOLE STOPPER	1	
9	K001551	KIT, RE ENCLOSURE (ROUND) AND BRACKETS	1	
10	ACV125	1.25" ANTI-SIPHON VALVE	1	
11	8570000	DISCHARGE ELBOW, STAINLESS STEEL	1	[1]
12	K001500	DISCHARGE PIPE, 1-1/4", SS 13" LONG	2	
13	8571000	DISCHARGE SEAL	2	
14	5644000	1-1/4" FLANGE SEAL GROMMET	1	
15	56880B0	POWER CORD ASSEMBLY, 230V 1 PH	1	
16	5673000	EYEBOLT	2	
17	8560E00	CAM LOCK ASSEMBLY	1	
18	56740A0	PUMP HANDLE / HANGER	1	
19	565400R	FLANGED ELBOW	1	
20	8110000	3/8-16 x 1-1/2" STAINLESS STEEL HEXBOLT 3/8-16X1-1/2 316SS	2	
21	8158000	WASHER, 3/8 x 1-1/8, SS	2	
22	K001438	COVER GASKET KIT, 4071RB0	1	
23	56670A0	ROPE 5/8 HOLLOW BRADE	1	
24	4755000	3/16" QUICK LINK, STAINLESS STEEL	1	

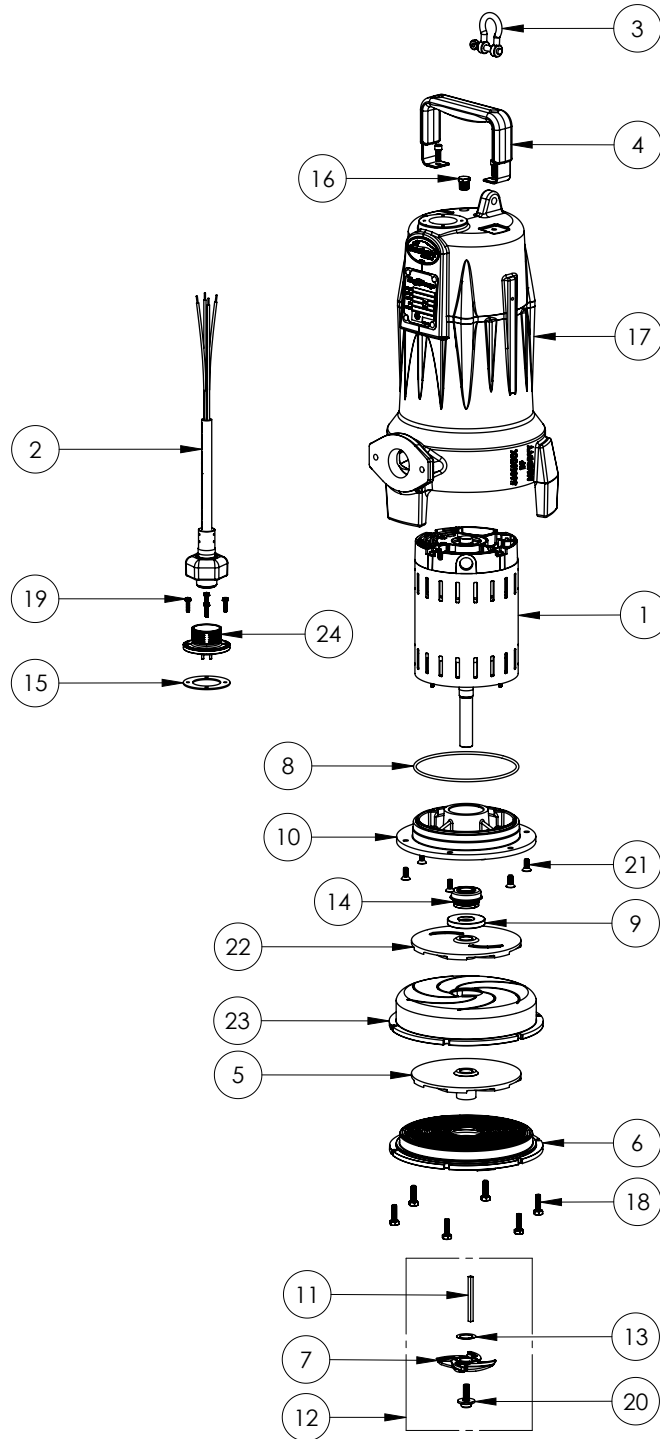
PART NOTES:

[1] - K001498: RE-DISCHARGE KIT

Includes:

\\k001498.jpg" align=left>

LSGX203M (B43)



LSGX203M

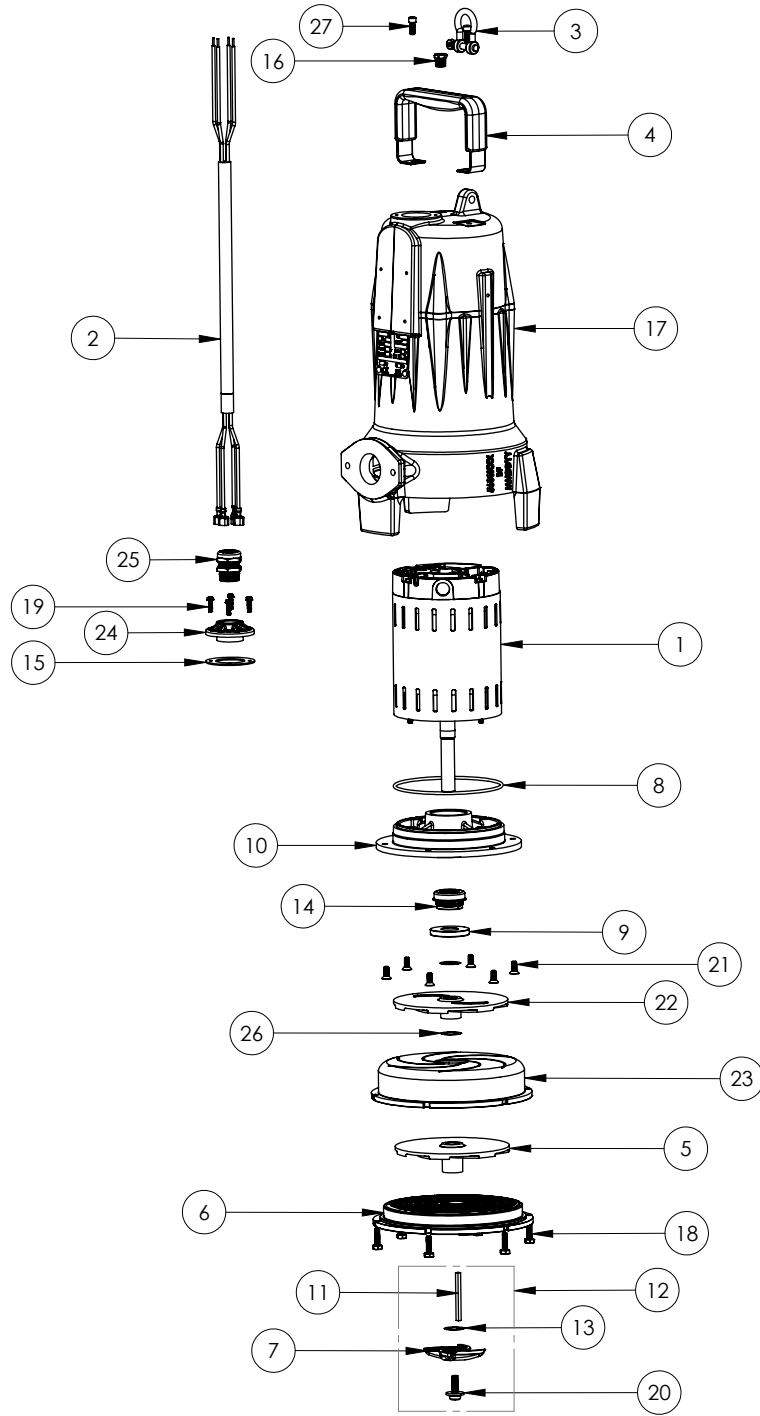
LSGX203M (B43)

#	PART #	DESCRIPTION	QTY	Note
1	5735000	MOTOR	1	[1]
2	K001357	POWER CORD, 25FT	1	
3	5611000	SHACKLE	1	
4	5613000	HANDLE	1	
5	46600B0	BOTTOM IMPELLER, STAINLESS STEEL	1	
6	K001395	CUTTER PLATE	1	
7	5616900	ROTARY CUTTER	1	
8	5617000	O-RING	1	
9	5618000	DOUBLE LIP SEAL	1	[1]
10	5851000	MOTOR PLATE	1	
11	56350B0	KEY	1	
12	K001139	ROTARY CUTTER KIT	1	[2]
13	K001445	ROTARY CUTTER SHIM KIT	2	
14	5633000	3/4" UNITIZED SHAFT SEAL	1	[1]
15	5060000	CORD PLATE GASKET	1	
16	50710A0	PIPE PLUG, 1/4" HEX HD BRASS NPTF	1	
17	573300R	OMNIVORE HOUSING, 2 STAGE	1	
18	8024000	1/4-20x7/8" HEX HEAD SS BOLT	6	
19	8064000	#8-32 x 5/8 HEX WASHER HEAD SCREW	4	
20	56360A0	FLANGED IMPELLER BOLT	1	
21	8018000	1/4-20 x 5/8 SLOTTED FLAT HEAD BOLT	6	
22	46600A0	TOP IMPELLER	1	
23	5380000	CROSSOVER	1	
24	5629000	GRINDER CORDPLATE	1	

PART NOTES:

- [1] - Part requires factory authorized service. Contact Liberty Pumps at 1-800-543-2550
- [2] - ForLSG GrinderCutter Replacment Instructions see LSG Grinder Cutter Replacement

LSGX203M-3E (B84)



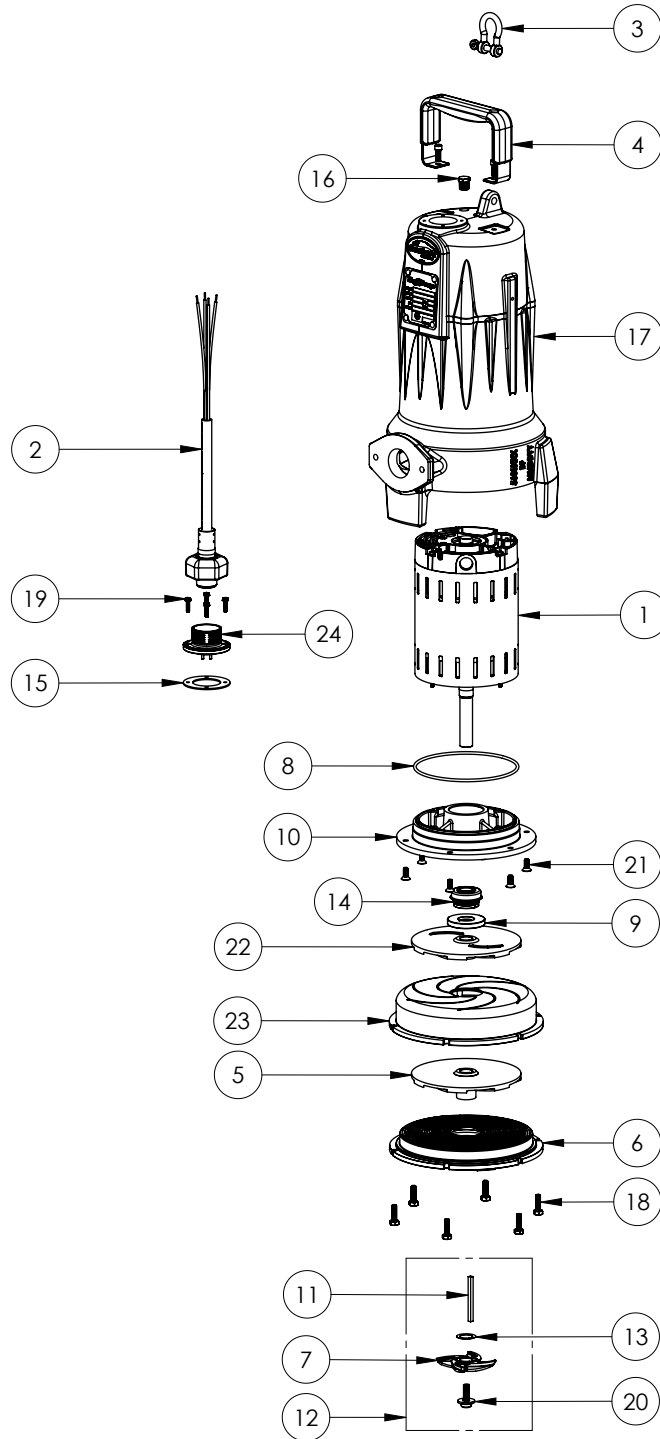
LSGX203M-3E (B84)

#	PART #	DESCRIPTION	QTY	Note
1	5735000	MOTOR	1	[1]
2	K001419	IEC 3PH 10M CORD KIT	1	
3	5611000	SHACKLE	1	
4	5613000	HANDLE	1	
5	46600B0	BOTTOM IMPELLER, STAINLESS STEEL	1	
6	K001395	CUTTER PLATE	1	
7	5616900	ROTARY CUTTER	1	
8	5617000	O-RING	1	
9	5618000	DOUBLE LIP SEAL	1	[1]
10	5851000	MOTOR PLATE	1	
11	56350B0	KEY	1	
12	K001139	ROTARY CUTTER KIT	1	[2]
13	K001445	ROTARY CUTTER SHIM KIT	1	
14	5633000	3/4" UNITIZED SHAFT SEAL	1	[1]
15	5060000	CORD PLATE GASKET	1	
16	50710A0	PIPE PLUG, 1/4" HEX HD BRASS NPTF	1	
17	573300R	OMNIVORE HOUSING, 2 STAGE	1	
18	8024000	1/4-20x7/8" HEX HEAD SS BOLT	6	
19	8064000	#8-32 x 5/8 HEX WASHER HEAD SCREW	4	
20	56360A0	FLANGED IMPELLER BOLT	1	
21	8018000	1/4-20 x 5/8 SLOTTED FLAT HEAD BOLT	6	
22	46600A0	TOP IMPELLER	1	
23	5380000	CROSSOVER	1	
24	57890AR	PAINTED 3/4 NPT, CE CORD PLATE	1	
25	5790000	STRAIN RELIEF, 3/4 NPT STAINLESS, IEC	1	
26	5623000	WASHER, ARBOR SHIM .005	1	
27	8103000	SCREW 1/4-20x5/8" HX SKT SS	2	

PART NOTES:

- [1] - Part requires factory authorized service. Contact Liberty Pumps at 1-800-543-2550
 [2] - ForLSG GrinderCutter Replacment Instructions see LSG Grinder Cutter Replacement

LSGX204M (B43)



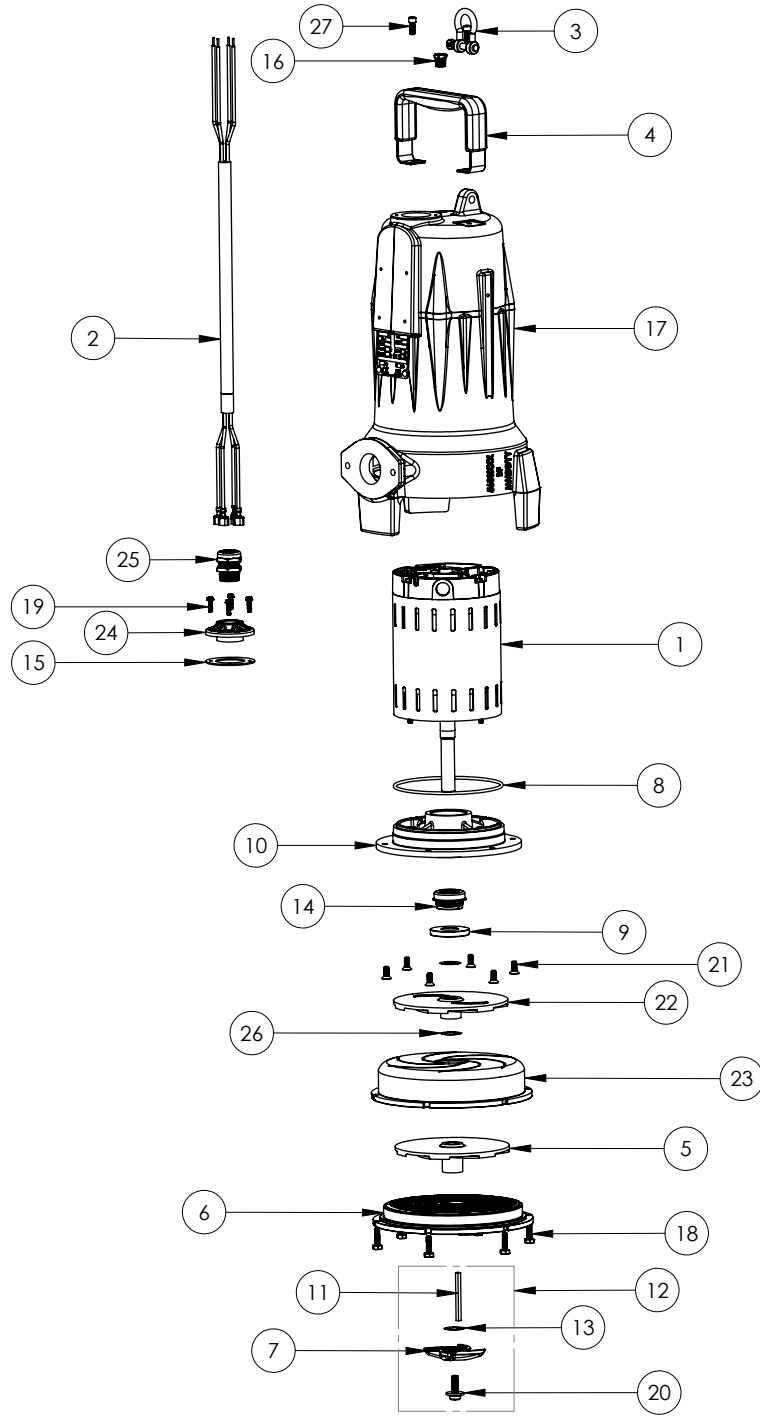
LSGX204M**LSGX204M (B43)**

#	PART #	DESCRIPTION	QTY	Note
1	5735000	MOTOR	1	[1]
2	K001357	POWER CORD, 25FT	1	
3	5611000	SHACKLE	1	
4	5613000	HANDLE	1	
5	46600B0	BOTTOM IMPELLER, STAINLESS STEEL	1	
6	K001395	CUTTER PLATE	1	
7	5616900	ROTARY CUTTER	1	
8	5617000	O-RING	1	
9	5618000	DOUBLE LIP SEAL	1	[1]
10	5851000	MOTOR PLATE	1	
11	56350B0	KEY	1	
12	K001139	ROTARY CUTTER KIT	1	[2]
13	K001445	ROTARY CUTTER SHIM KIT	2	
14	5633000	3/4" UNITIZED SHAFT SEAL	1	[1]
15	5060000	CORD PLATE GASKET	1	
16	50710A0	PIPE PLUG, 1/4" HEX HD BRASS NPTF	1	
17	573300R	OMNIVORE HOUSING, 2 STAGE	1	
18	8024000	1/4-20x7/8" HEX HEAD SS BOLT	6	
19	8064000	#8-32 x 5/8 HEX WASHER HEAD SCREW	4	
20	56360A0	FLANGED IMPELLER BOLT	1	
21	8018000	1/4-20 x 5/8 SLOTTED FLAT HEAD BOLT	6	
22	46600A0	TOP IMPELLER	1	
23	5380000	CROSSOVER	1	
24	5629000	GRINDER CORDPLATE	1	

PART NOTES:

- [1] - Part requires factory authorized service. Contact Liberty Pumps at 1-800-543-2550
- [2] - ForLSG GrinderCutter Replacment Instructions see LSG Grinder Cutter Replacement

LSGX204M-3E (B84)



LSGX204M-3E

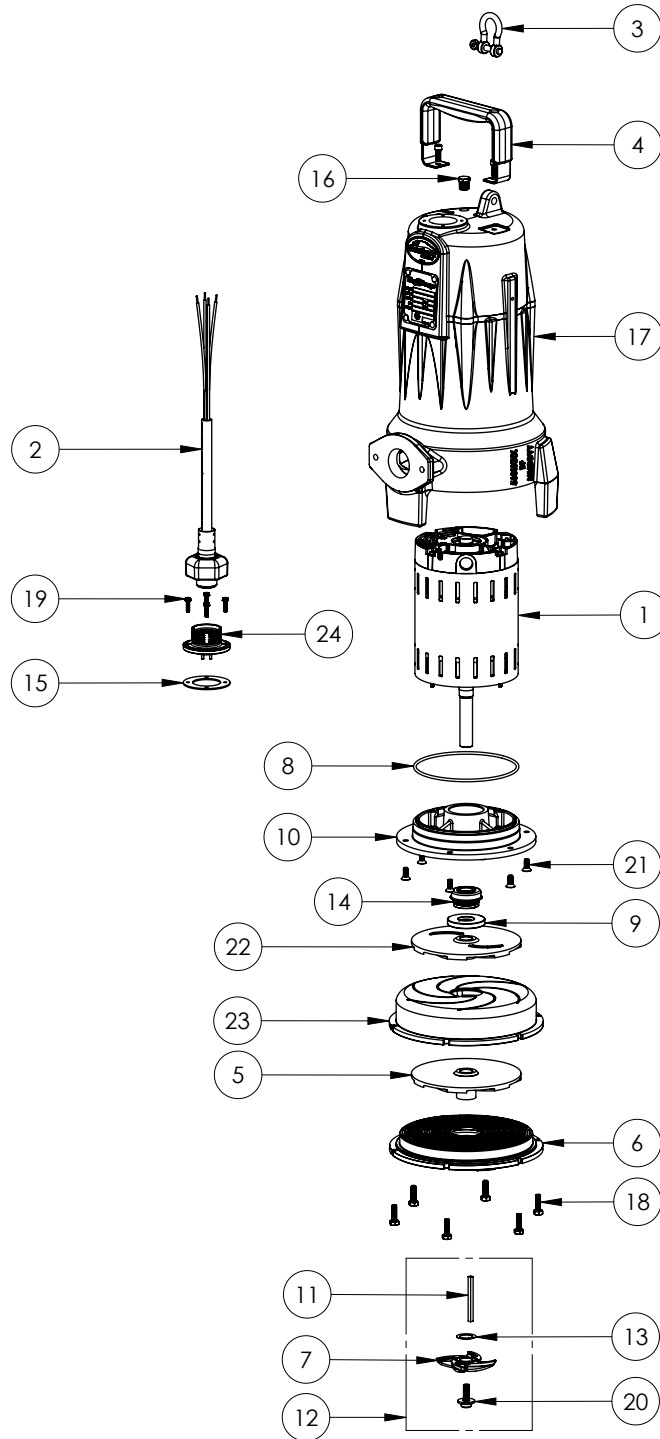
LSGX204M-3E (B84)

#	PART #	DESCRIPTION	QTY	Note
1	5735000	MOTOR	1	[1]
2	K001419	IEC 3PH 10M CORD KIT	1	
3	5611000	SHACKLE	1	
4	5613000	HANDLE	1	
5	46600B0	BOTTOM IMPELLER, STAINLESS STEEL	1	
6	K001395	CUTTER PLATE	1	
7	5616900	ROTARY CUTTER	1	
8	5617000	O-RING	1	
9	5618000	DOUBLE LIP SEAL	1	[1]
10	5851000	MOTOR PLATE	1	
11	56350B0	KEY	1	
12	K001139	ROTARY CUTTER KIT	1	[2]
13	K001445	ROTARY CUTTER SHIM KIT	1	
14	5633000	3/4" UNITIZED SHAFT SEAL	1	[1]
15	5060000	CORD PLATE GASKET	1	
16	50710A0	PIPE PLUG, 1/4" HEX HD BRASS NPTF	1	
17	573300R	OMNIVORE HOUSING, 2 STAGE	1	
18	8024000	1/4-20x7/8" HEX HEAD SS BOLT	6	
19	8064000	#8-32 x 5/8 HEX WASHER HEAD SCREW	4	
20	56360A0	FLANGED IMPELLER BOLT	1	
21	8018000	1/4-20 x 5/8 SLOTTED FLAT HEAD BOLT	6	
22	46600A0	TOP IMPELLER	1	
23	5380000	CROSSOVER	1	
24	57890AR	PAINTED 3/4 NPT, CE CORD PLATE	1	
25	5790000	STRAIN RELIEF, 3/4 NPT STAINLESS, IEC	1	
26	5623000	WASHER, ARBOR SHIM .005	1	
27	8103000	SCREW 1/4-20x5/8" HX SKT SS	2	

PART NOTES:

- [1] - Part requires factory authorized service. Contact Liberty Pumps at 1-800-543-2550
- [2] - ForLSG GrinderCutter Replacment Instructions see LSG Grinder Cutter Replacement

LSGX205M (B43)



LSGX205M**LSGX205M (B43)**

#	PART #	DESCRIPTION	QTY	Note
1	5736000	MOTOR, 2HP 575V 2STAGE	1	[1]
2	K001357	POWER CORD, 25FT	1	
3	5611000	SHACKLE	1	
4	5613000	HANDLE	1	
5	46600B0	BOTTOM IMPELLER, STAINLESS STEEL	1	
6	K001395	CUTTER PLATE	1	
7	5616900	ROTARY CUTTER	1	
8	5617000	O-RING	1	
9	5618000	DOUBLE LIP SEAL	1	[1]
10	5851000	MOTOR PLATE	1	
11	56350B0	KEY	1	
12	K001139	ROTARY CUTTER KIT	1	[2]
13	K001445	ROTARY CUTTER SHIM KIT	2	
14	5633000	3/4" UNITIZED SHAFT SEAL	1	[1]
15	5060000	CORD PLATE GASKET	1	
16	50710A0	PIPE PLUG, 1/4" HEX HD BRASS NPTF	1	
17	573300R	OMNIVORE HOUSING, 2 STAGE	1	
18	8024000	1/4-20x7/8" HEX HEAD SS BOLT	6	
19	8064000	#8-32 x 5/8 HEX WASHER HEAD SCREW	4	
20	56360A0	FLANGED IMPELLER BOLT	1	
21	8018000	1/4-20 x 5/8 SLOTTED FLAT HEAD BOLT	6	
22	46600A0	TOP IMPELLER	1	
23	5380000	CROSSOVER	1	
24	5629000	GRINDER CORDPLATE	1	

PART NOTES:

- [1] - Part requires factory authorized service. Contact Liberty Pumps at 1-800-543-2550
- [2] - ForLSG GrinderCutter Replacment Instructions see LSG Grinder Cutter Replacement