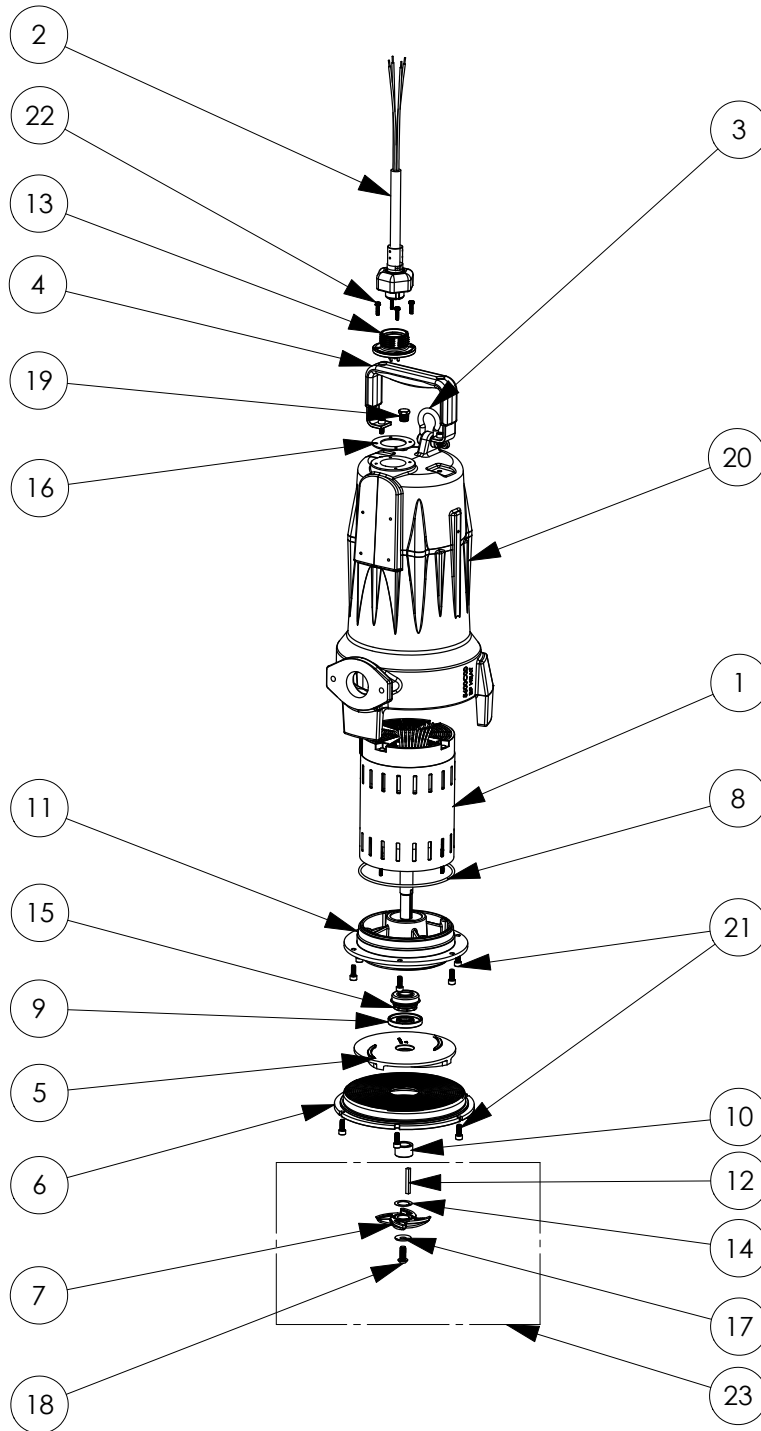


LSG204M (B10)



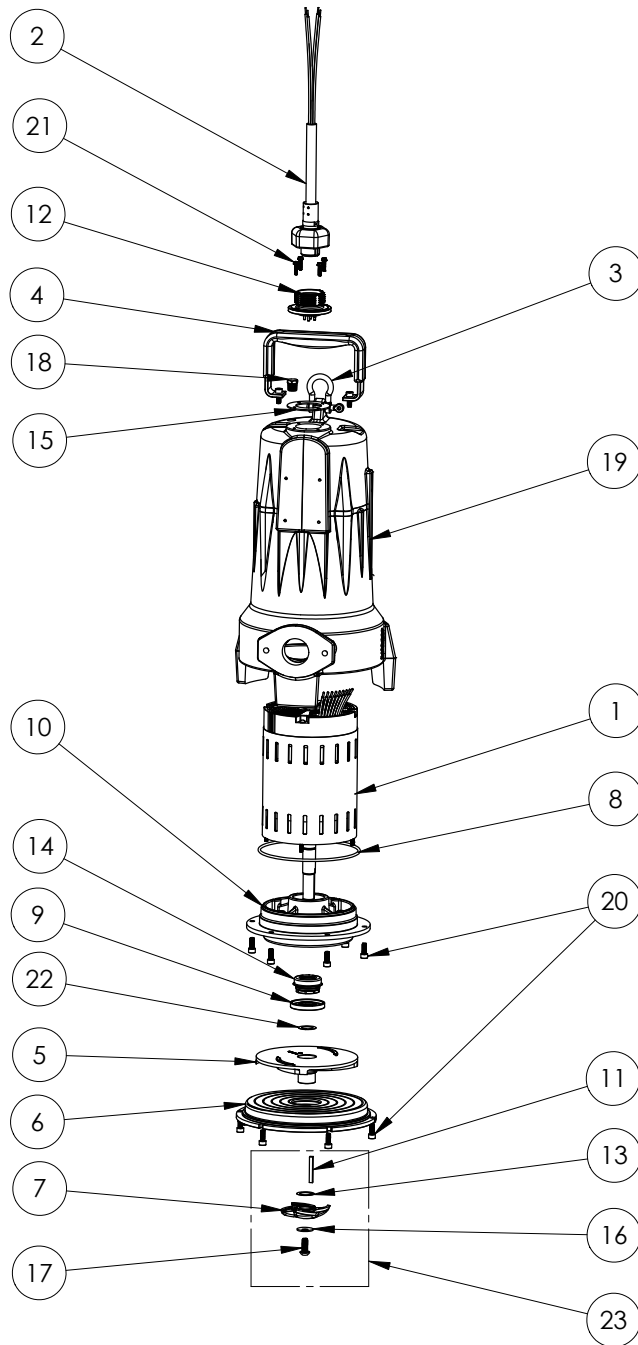
LSG204M**LSG204M (B10)**

#	PART #	DESCRIPTION	QTY	Note
1	5628000	MOTOR	1	[1]
2	K001357	POWER CORD, 25FT	1	
3	5611000	SHACKLE	1	
4	5613000	HANDLE	1	
5	K001538	GRINDER IMPELLER KIT	1	
6	5615000	CUTTER PLATE	1	
7	5616900	ROTARY CUTTER	1	
8	5617000	O-RING	1	
9	5618000	DOUBLE LIP SEAL	1	[1]
10	5621000	BUSHING	1	
11	5632000	MOTOR PLATE	1	[1]
12	5635000	KEY	1	
13	5629000	GRINDER CORDPLATE	1	
14	K001445	ROTARY CUTTER SHIM KIT	1	
15	5633000	3/4" UNITIZED SHAFT SEAL	1	[1]
16	5060000	CORD PLATE GASKET	1	
17	5634000	BELLEVILLE WASHER, STAINLESS STEEL	1	
18	5636000	IMPELLER BOLT	1	
19	5071000	BRASS OIL PLUG	1	
20	560000R	OMNIVORE HOUSING	1	
21	5646000	CAP SCREW, SHCS, 1/4-28 X 9/16" SS	14	
22	8064000	#8-32 x 5/8 HEX WASHER HEAD SCREW	4	
23	K001139	ROTARY CUTTER KIT	1	[2]

PART NOTES:

- [1] - Part requires factory authorized service. Contact Liberty Pumps at 1-800-543-2550
- [2] - ForLSG GrinderCutter Replacment Instructions see LSG Grinder Cutter Replacement

LSG204M (B27)



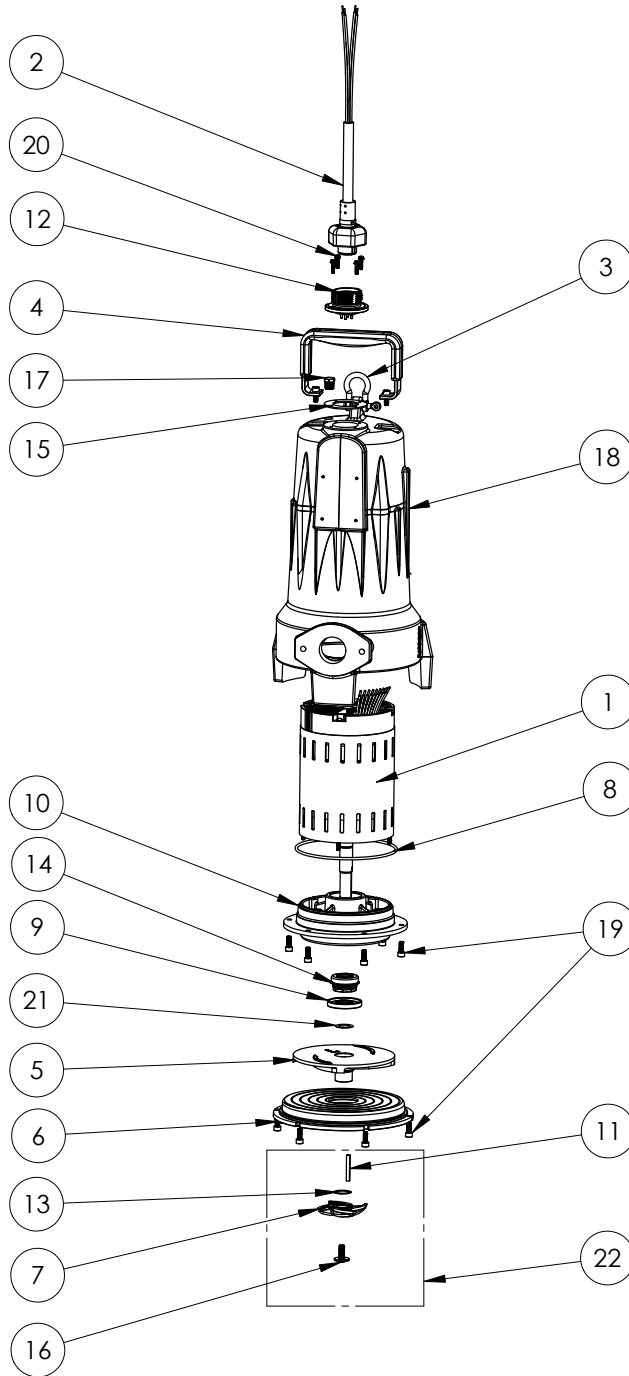
LSG204M**LSG204M (B27)**

#	PART #	DESCRIPTION	QTY	Note
1	5628000	MOTOR	1	[1]
2	K001357	POWER CORD, 25FT	1	
3	5611000	SHACKLE	1	
4	5613000	HANDLE	1	
5	K001538	GRINDER IMPELLER KIT	1	
6	5615000	CUTTER PLATE	1	
7	5616900	ROTARY CUTTER	1	
8	5617000	O-RING	1	
9	5618000	DOUBLE LIP SEAL	1	[1]
10	5632000	MOTOR PLATE	1	[1]
11	5635000	KEY	1	
12	5629000	GRINDER CORDPLATE	1	
13	K001445	ROTARY CUTTER SHIM KIT	1	
14	5633000	3/4" UNITIZED SHAFT SEAL	1	[1]
15	5060000	CORD PLATE GASKET	1	
16	56340A0	FLAT WASHER	1	
17	5636000	IMPELLER BOLT	1	
18	5071000	BRASS OIL PLUG	1	
19	560000R	OMNIVORE HOUSING	1	
20	5646000	CAP SCREW, SHCS, 1/4-28 X 9/16" SS	14	
21	8064000	#8-32 x 5/8 HEX WASHER HEAD SCREW	4	
22	5627000	SHIM WASHER	1	
23	K001139	ROTARY CUTTER KIT	1	[2]

PART NOTES:

- [1] - Part requires factory authorized service. Contact Liberty Pumps at 1-800-543-2550
- [2] - ForLSG GrinderCutter Replacment Instructions see LSG Grinder Cutter Replacement

LSG204M (B28)



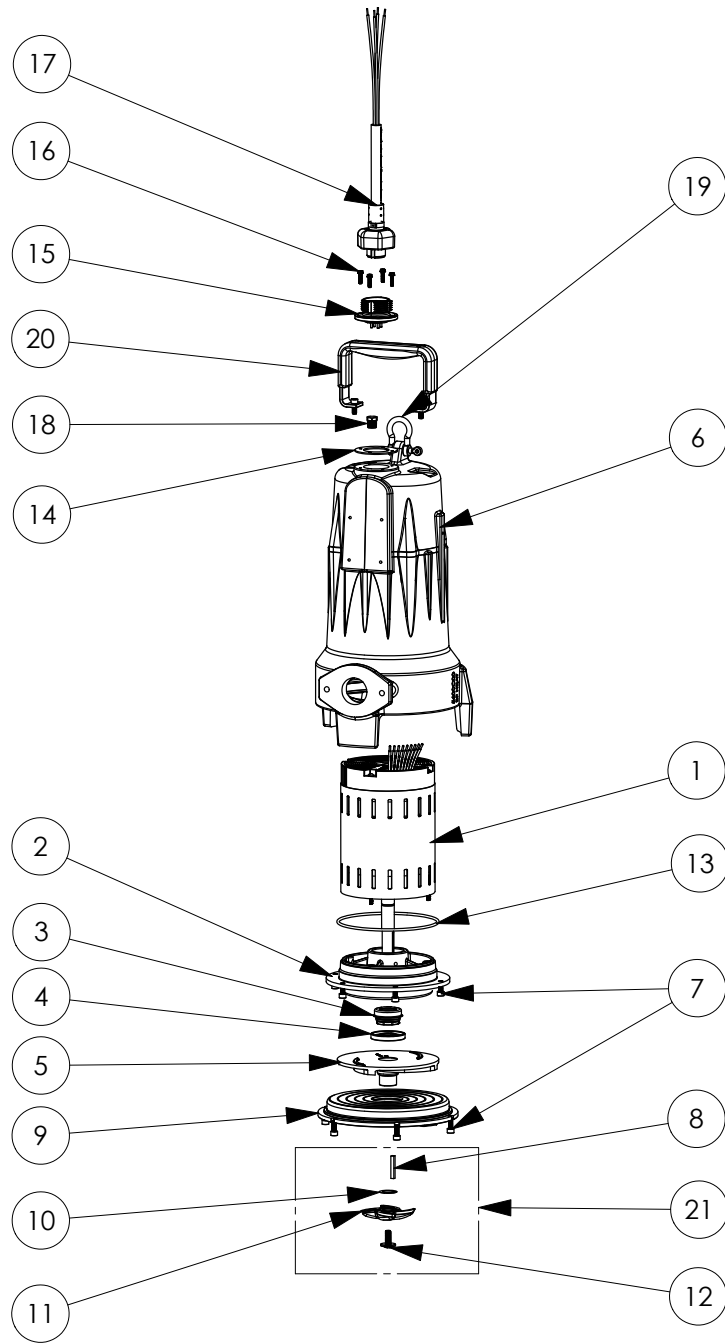
LSG204M**LSG204M (B28)**

#	PART #	DESCRIPTION	QTY	Note
1	5628000	MOTOR	1	[1]
2	K001357	POWER CORD, 25FT	1	
3	5611000	SHACKLE	1	
4	5613000	HANDLE	1	
5	K001538	GRINDER IMPELLER KIT	1	
6	5615000	CUTTER PLATE	1	
7	5616900	ROTARY CUTTER	1	
8	5617000	O-RING	1	
9	5618000	DOUBLE LIP SEAL	1	[1]
10	5632000	MOTOR PLATE	1	[1]
11	5635000	KEY	1	
12	5629000	GRINDER CORDPLATE	1	
13	K001445	ROTARY CUTTER SHIM KIT	1	
14	5633000	3/4" UNITIZED SHAFT SEAL	1	[1]
15	5060000	CORD PLATE GASKET	1	
16	56360A0	FLANGED IMPELLER BOLT	1	
17	5071000	BRASS OIL PLUG	1	
18	560000R	OMNIVORE HOUSING	1	
19	5646000	CAP SCREW, SHCS, 1/4-28 X 9/16" SS	14	
20	8064000	#8-32 x 5/8 HEX WASHER HEAD SCREW	4	
21	5627000	SHIM WASHER	1	
22	K001139	ROTARY CUTTER KIT	1	[2]

PART NOTES:

- [1] - Part requires factory authorized service. Contact Liberty Pumps at 1-800-543-2550
- [2] - ForLSG GrinderCutter Replacment Instructions see LSG Grinder Cutter Replacement

LSG204M (B29)



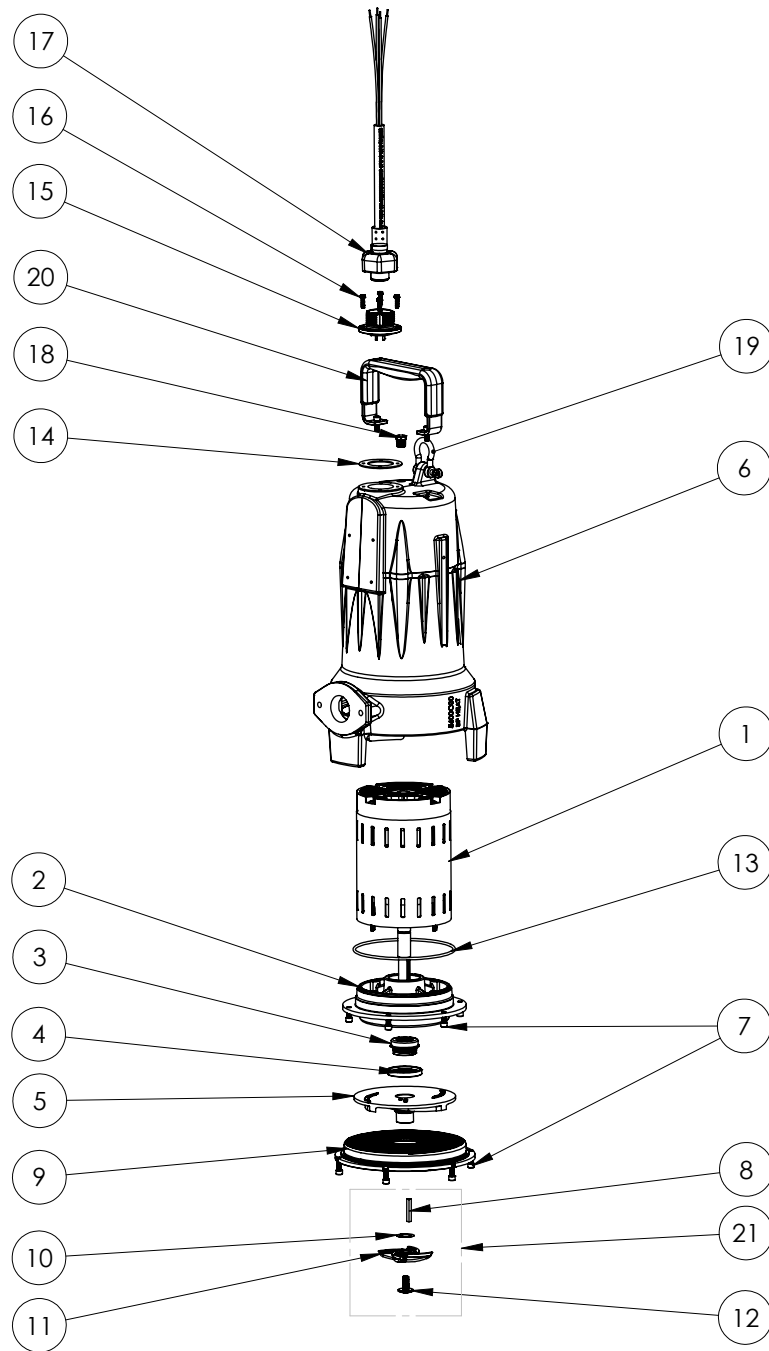
LSG204M**LSG204M (B29)**

#	PART #	DESCRIPTION	QTY	Note
1	5628000	MOTOR	1	[1]
2	5632000	MOTOR PLATE	1	[1]
3	5633000	3/4" UNITIZED SHAFT SEAL	1	[1]
4	5618000	DOUBLE LIP SEAL	1	[1]
5	K001538	GRINDER IMPELLER KIT	1	
6	560000R	OMNIVORE HOUSING	1	
7	5646000	CAP SCREW, SHCS, 1/4-28 X 9/16" SS	14	
8	56350A0	KEY	1	
9	5615000	CUTTER PLATE	1	
10	K001445	ROTARY CUTTER SHIM KIT	1	
11	5616900	ROTARY CUTTER	1	
12	56360A0	FLANGED IMPELLER BOLT	1	
13	5617000	O-RING	1	
14	5060000	CORD PLATE GASKET	1	
15	5629000	GRINDER CORDPLATE	1	
16	8064000	#8-32 x 5/8 HEX WASHER HEAD SCREW	4	
17	K001357	POWER CORD, 25FT	1	
18	5071000	BRASS OIL PLUG	1	
19	5611000	SHACKLE	1	
20	5613000	HANDLE	1	
21	K001139	ROTARY CUTTER KIT	1	[2]

PART NOTES:

- [1] - Part requires factory authorized service. Contact Liberty Pumps at 1-800-543-2550
- [2] - ForLSG GrinderCutter Replacment Instructions see LSG Grinder Cutter Replacement

LSG204M (B48)



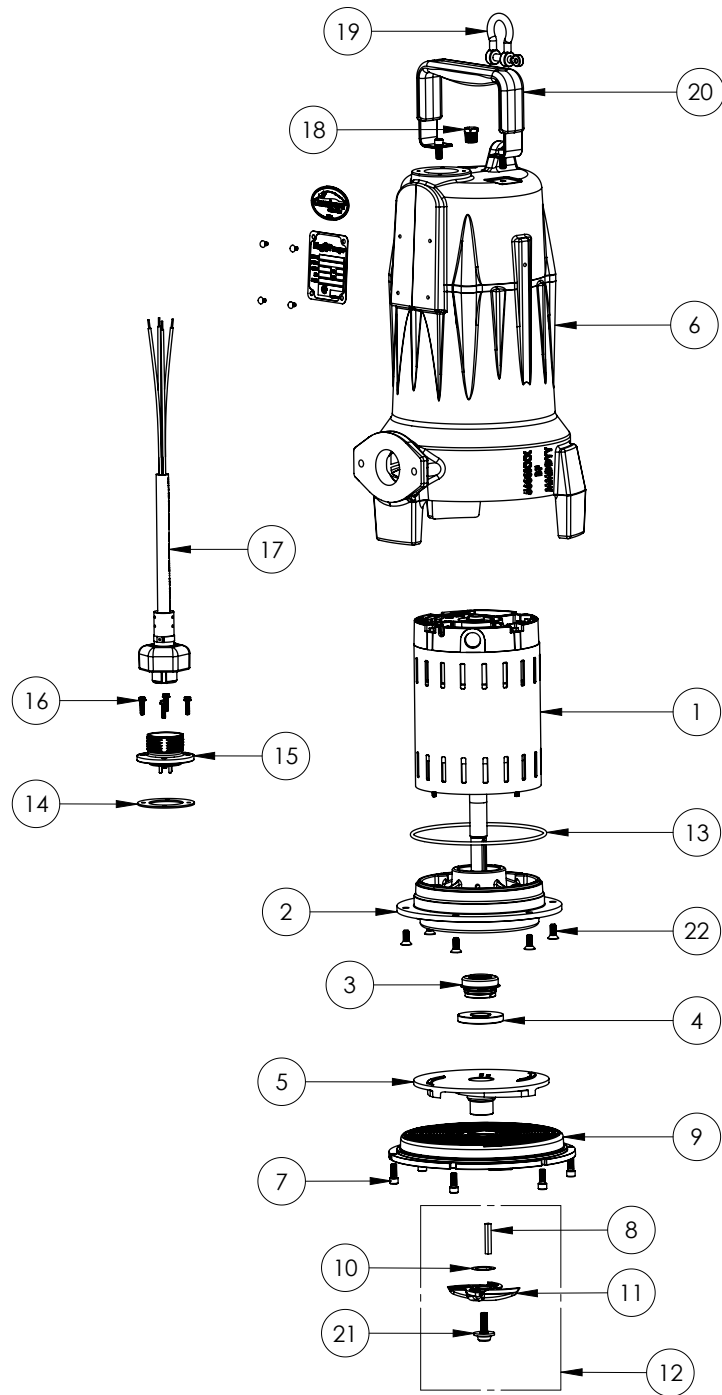
LSG204M**LSG204M (B48)**

#	PART #	DESCRIPTION	QTY	Note
1	5628000	MOTOR	1	[1]
2	5632000	MOTOR PLATE	1	[1]
3	5633000	3/4" UNITIZED SHAFT SEAL	1	[1]
4	5618000	DOUBLE LIP SEAL	1	[1]
5	K001538	GRINDER IMPELLER KIT	1	
6	560000R	OMNIVORE HOUSING	1	
7	8103000	SCREW 1/4-20x5/8" HX SKT SS	14	
8	56350A0	KEY	1	
9	5615000	CUTTER PLATE	1	
10	K001445	ROTARY CUTTER SHIM KIT	1	
11	5616900	ROTARY CUTTER	1	
12	56360A0	FLANGED IMPELLER BOLT	1	
13	5617000	O-RING	1	
14	5060000	CORD PLATE GASKET	1	
15	5629000	GRINDER CORDPLATE	1	
16	8064000	#8-32 x 5/8 HEX WASHER HEAD SCREW	4	
17	K001357	POWER CORD, 25FT	1	
18	5071000	BRASS OIL PLUG	1	
19	5611000	SHACKLE	1	
20	5613000	HANDLE	1	
21	K001139	ROTARY CUTTER KIT	1	[2]

PART NOTES:

- [1] - Part requires factory authorized service. Contact Liberty Pumps at 1-800-543-2550
- [2] - ForLSG GrinderCutter Replacment Instructions see LSG Grinder Cutter Replacement

LSG204M (B52)



LSG204M**LSG204M (B52)**

#	PART #	DESCRIPTION	QTY	Note
1	5446000	MOTOR, LSG, 460V 3PH	1	
2	5632000	MOTOR PLATE	1	[1]
3	5633000	3/4" UNITIZED SHAFT SEAL	1	[1]
4	5618000	DOUBLE LIP SEAL	1	[1]
5	K001538	GRINDER IMPELLER KIT	1	
6	560000R	OMNIVORE HOUSING	1	
7	8103000	SCREW 1/4-20x5/8" HX SKT SS	8	
8	56350A0	KEY	1	
9	K001395	CUTTER PLATE	1	
10	K001445	ROTARY CUTTER SHIM KIT	1	
11	5616900	ROTARY CUTTER	1	
12	K001139	ROTARY CUTTER KIT	1	[2]
13	5617000	O-RING	1	
14	5060000	CORD PLATE GASKET	1	
15	5629000	GRINDER CORDPLATE	1	
16	8064000	#8-32 x 5/8 HEX WASHER HEAD SCREW	4	
17	K001357	POWER CORD, 25FT	1	
18	50710A0	PIPE PLUG, 1/4" HEX HD BRASS NPTF	1	
19	5611000	SHACKLE	1	
20	5613000	HANDLE	1	
21	56360A0	FLANGED IMPELLER BOLT	1	
22	8018000	1/4-20 x 5/8 SLOTTED FLAT HEAD BOLT	6	

PART NOTES:

- [1] - Part requires factory authorized service. Contact Liberty Pumps at 1-800-543-2550
- [2] - ForLSG GrinderCutter Replacment Instructions see LSG Grinder Cutter Replacement