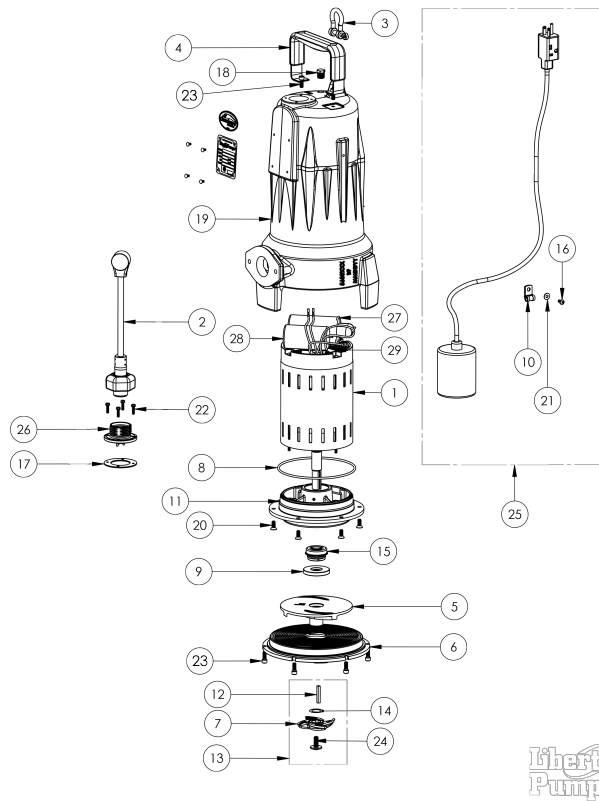


LSG202ALC

LSG202ALC (B52)



LSG202ALC

LSG202ALC (B52)

#	PART #	DESCRIPTION	QTY	Note
1	5601000	MOTOR	1	[1]
2	K001140	POWER CORD	1	
3	5611000	SHACKLE	1	
4	5613000	HANDLE	1	
5	56140A0	5.5 OMNIVORE IMPELLER	1	
6	5615000	CUTTER PLATE	1	
7	5616900	ROTARY CUTTER	1	
8	5617000	O-RING	1	
9	5618000	DOUBLE LIP SEAL	1	[1]
10	5630000	CABLE CLAMP S.S.	1	
11	5632000	MOTOR PLATE	1	[1]
12	56350A0	KEY	1	
13	K001139	ROTARY CUTTER KIT	1	[2]
14	K001445	ROTARY CUTTER SHIM KIT	1	
15	5633000	3/4" UNITIZED SHAFT SEAL	1	[1]
16	8082000	#10-24 x 3/8 EPOXY LOCK SCREW	1	
17	5060000	CORD PLATE GASKET	1	
18	5071000	BRASS OIL PLUG	1	
19	560000R	OMNIVORE HOUSING	1	
20	8018000	1/4-20 x 5/8 SLOTTED FLAT HEAD BOLT	6	
21	8141000	WASHER, #10 X 1/2 SS	1	
22	8064000	#8-32 x 5/8 HEX WASHER HEAD SCREW	4	
23	8103000	SCREW 1/4-20x5/8" HX SKT SS	8	
24	56360A0	FLANGED IMPELLER BOLT	1	
25	K001136	SWITCH KIT	1	
26	K001216	5619000, CORDPLATE	1	
27	K001228	RUN CAPACITOR	1	
28	K001227	START CAPACITOR	1	
29	K001229	START SWITCH	1	

PART NOTES:

- [1] - Part requires factory authorized service. Contact Liberty Pumps at 1-800-543-2550
- [2] - ForLSG GrinderCutter Replacment Instructions see LSG Grinder Cutter Replacement