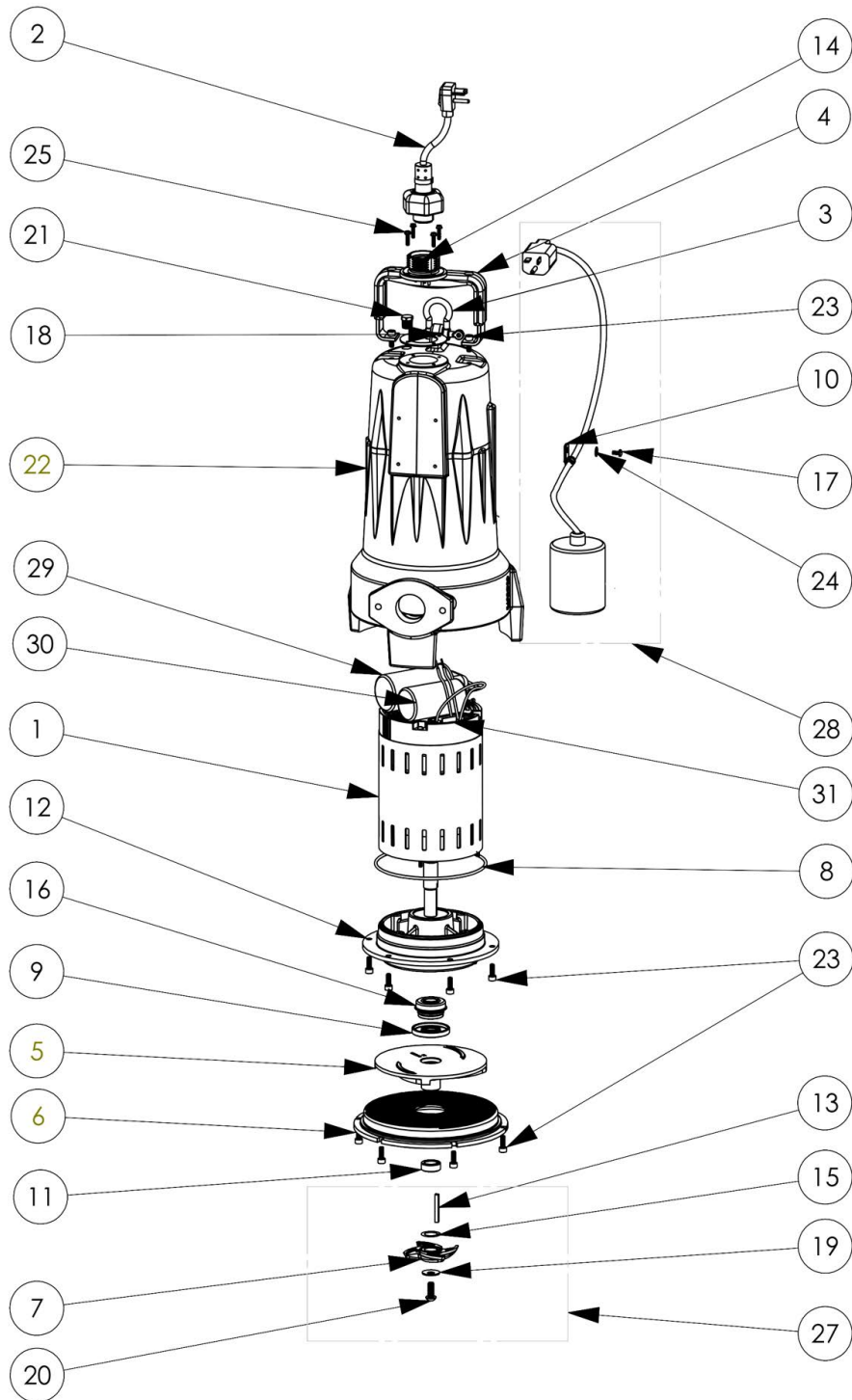


LSG202A (B15)



**LSG202A**

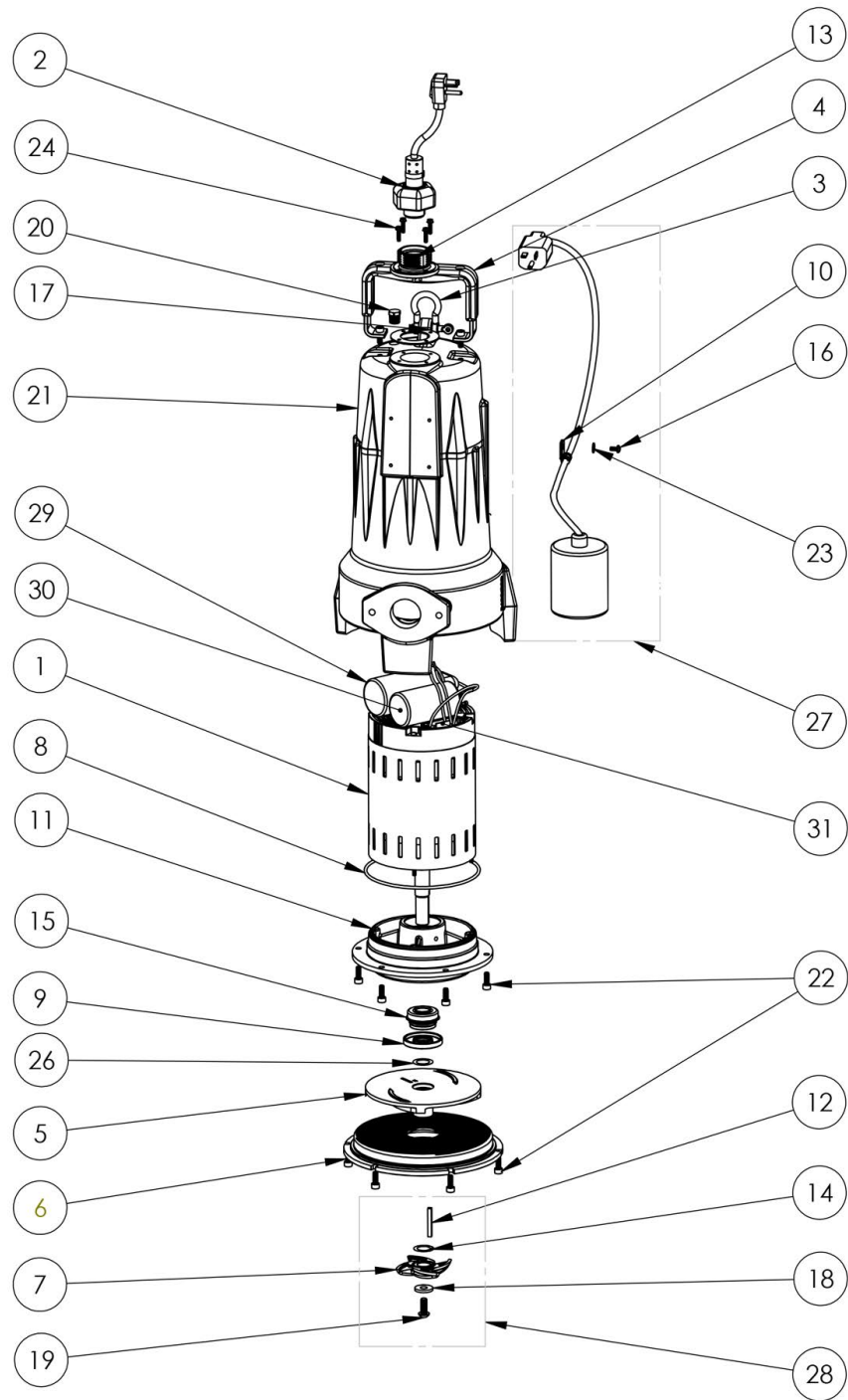
**LSG202A (B15)**

<b>#</b>	<b>PART #</b>	<b>DESCRIPTION</b>	<b>QTY</b>	<b>Note</b>
1	5601000	MOTOR	1	[1]
2	K001140	POWER CORD	1	
3	5611000	SHACKLE	1	
4	5613000	HANDLE	1	
5	K001538	GRINDER IMPELLER KIT	1	[2]
6	5615000	CUTTER PLATE	1	
7	5616900	ROTARY CUTTER	1	
8	5617000	O-RING	1	
9	5618000	DOUBLE LIP SEAL	1	[1]
10	5630000	CABLE CLAMP S.S.	1	
11	5621000	BUSHING	1	
12	5632000	MOTOR PLATE	1	[1]
13	5635000	KEY	1	
14	K001216	5619000, CORDPLATE	1	
15	K001445	ROTARY CUTTER SHIM KIT	1	
16	5633000	3/4" UNITIZED SHAFT SEAL	1	[1]
17	8082000	#10-24 x 3/8 EPOXY LOCK SCREW	1	
18	5060000	CORD PLATE GASKET	1	
19	5634000	BELLEVILLE WASHER, STAINLESS STEEL	1	
20	5636000	IMPELLER BOLT	1	
21	5071000	BRASS OIL PLUG	1	
22	560000R	OMNIVORE HOUSINGP/N - 5600000 - LSG200 HOUSING	1	
23	5646000	CAP SCREW, SHCS, 1/4-28 X 9/16" SS	14	
24	8141000	WASHER, #10 X 1/2 SS	1	
25	8064000	#8-32 x 5/8 HEX WASHER HEAD SCREW	4	
27	K001139	ROTARY CUTTER KIT	1	[3]
28	K001136	SWITCH KIT	1	
29	K001228	RUN CAPACITOR	1	
30	K001227	START CAPACITOR	1	
31	K001229	START SWITCH	1	

**PART NOTES:**

- [1] - Part requires factory authorized service. Contact Liberty Pumps at 1-800-543-2550
- [2] - The new 5614000 impeller no longer requires bushing (P/N 5621000) for assembly.
- [3] - ForLSG GrinderCutter Replacment Instructions see LSG Grinder Cutter Replacement

LSG202A (B27)



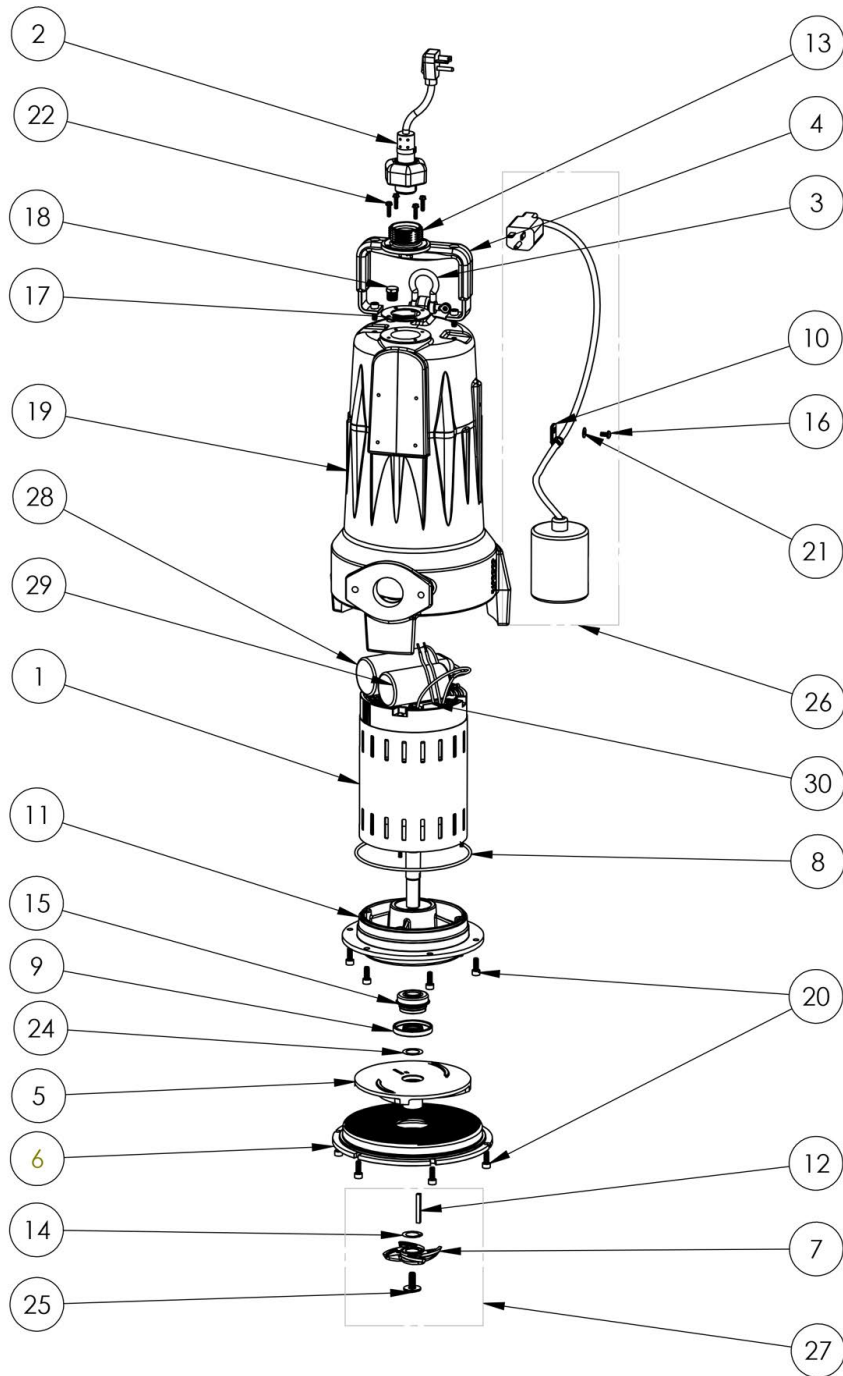
## LSG202A (B27)

#	PART #	DESCRIPTION	QTY	Note
1	5601000	MOTOR	1	[1]
2	K001140	POWER CORD	1	
3	5611000	SHACKLE	1	
4	5613000	HANDLE	1	
5	K001538	GRINDER IMPELLER KIT	1	
6	5615000	CUTTER PLATE	1	
7	5616900	ROTARY CUTTER	1	
8	5617000	O-RING	1	
9	5618000	DOUBLE LIP SEAL	1	[1]
10	5630000	CABLE CLAMP S.S.	1	
11	5632000	MOTOR PLATE	1	[1]
12	5635000	KEY	1	
13	K001216	5619000, CORDPLATE	1	
14	K001445	ROTARY CUTTER SHIM KIT	1	
15	5633000	3/4" UNITIZED SHAFT SEAL	1	[1]
16	8082000	#10-24 x 3/8 EPOXY LOCK SCREW	1	
17	5060000	CORD PLATE GASKET	1	
18	56340A0	FLAT WASHER	1	
19	5636000	IMPELLER BOLT	1	
20	5071000	BRASS OIL PLUG	1	
21	560000R	OMNIVORE HOUSING	1	
22	5646000	CAP SCREW, SHCS, 1/4-28 X 9/16" SS	14	
23	8141000	WASHER, #10 X 1/2 SS	1	
24	8064000	#8-32 x 5/8 HEX WASHER HEAD SCREW	4	
26	5627000	SHIM WASHER	1	
27	K001136	SWITCH KIT	1	
28	K001139	ROTARY CUTTER KIT	1	[2]
29	K001228	RUN CAPACITOR	1	
30	K001227	START CAPACITOR	1	
31	K001229	START SWITCH	1	

**PART NOTES:**

- [1] - Part requires factory authorized service. Contact Liberty Pumps at 1-800-543-2550  
 [2] - ForLSG GrinderCutter Replacment Instructions see LSG Grinder Cutter Replacement

LSG202A (B28)



**LSG202A**

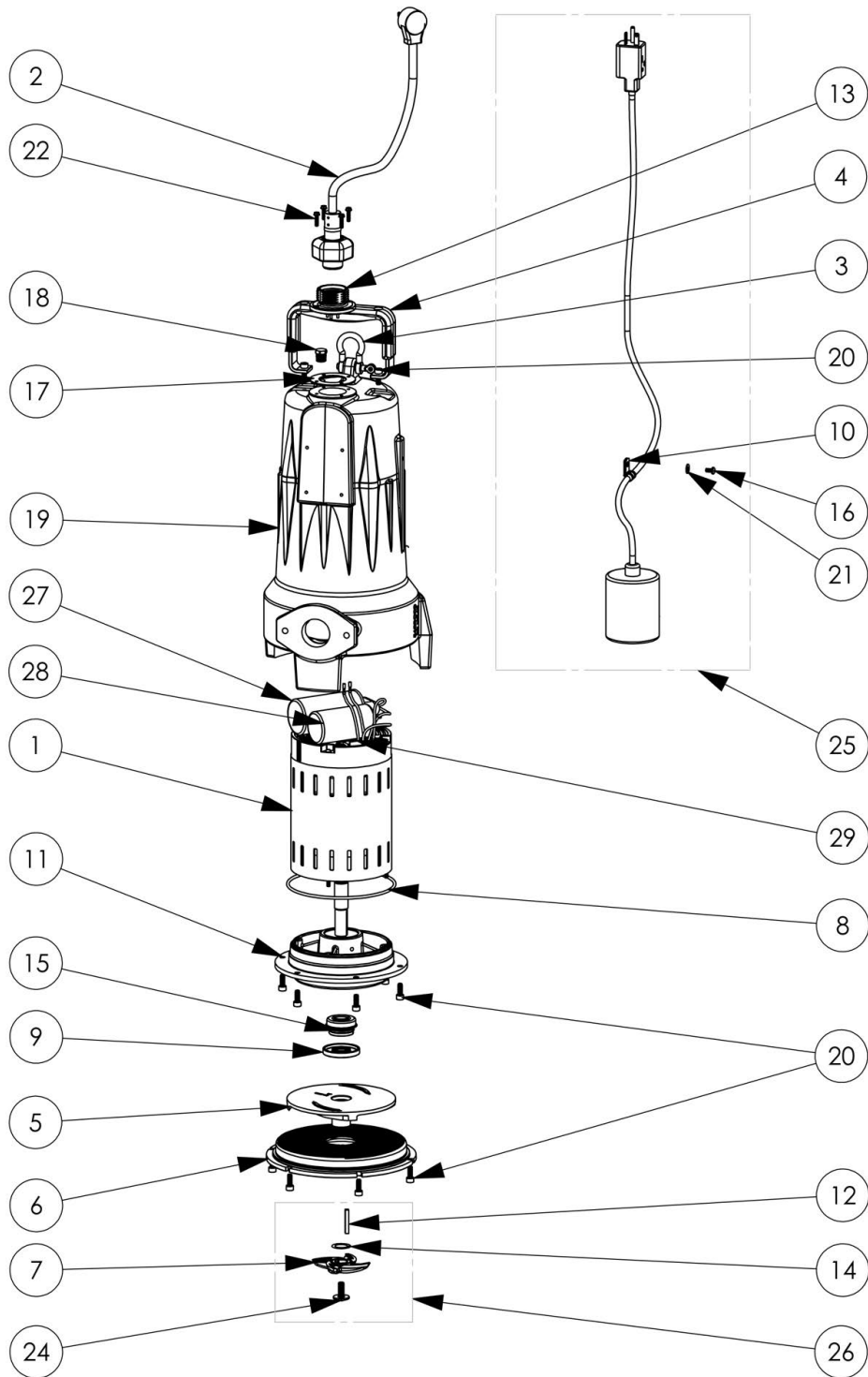
**LSG202A (B28)**

#	PART #	DESCRIPTION	QTY	Note
1	5601000	MOTOR	1	[1]
2	K001140	POWER CORD	1	
3	5611000	SHACKLE	1	
4	5613000	HANDLE	1	
5	K001538	GRINDER IMPELLER KIT	1	
6	5615000	CUTTER PLATE	1	
7	5616900	ROTARY CUTTER	1	
8	5617000	O-RING	1	
9	5618000	DOUBLE LIP SEAL	1	[1]
10	5630000	CABLE CLAMP S.S.	1	
11	5632000	MOTOR PLATE	1	[1]
12	5635000	KEY	1	
13	K001216	5619000, CORDPLATE	1	
14	K001445	ROTARY CUTTER SHIM KIT	1	
15	5633000	3/4" UNITIZED SHAFT SEAL	1	[1]
16	8082000	#10-24 x 3/8 EPOXY LOCK SCREW	1	
17	5060000	CORD PLATE GASKET	1	
18	5071000	BRASS OIL PLUG	1	
19	560000R	OMNIVORE HOUSING	1	
20	5646000	CAP SCREW, SHCS, 1/4-28 X 9/16" SS	14	
21	8141000	WASHER, #10 X 1/2 SS	1	
22	8064000	#8-32 x 5/8 HEX WASHER HEAD SCREW	4	
24	5627000	SHIM WASHER	1	
25	56360A0	FLANGED IMPELLER BOLT	1	
26	K001136	SWITCH KIT	1	
27	K001139	ROTARY CUTTER KIT	1	[2]
28	K001228	RUN CAPACITOR	1	
29	K001227	START CAPACITOR	1	
30	K001229	START SWITCH	1	

**PART NOTES:**

- [1] - Part requires factory authorized service. Contact Liberty Pumps at 1-800-543-2550
- [2] - ForLSG GrinderCutter Replacment Instructions see LSG Grinder Cutter Replacement

LSG202A (B29)



**LSG202A**

**LSG202A (B29)**

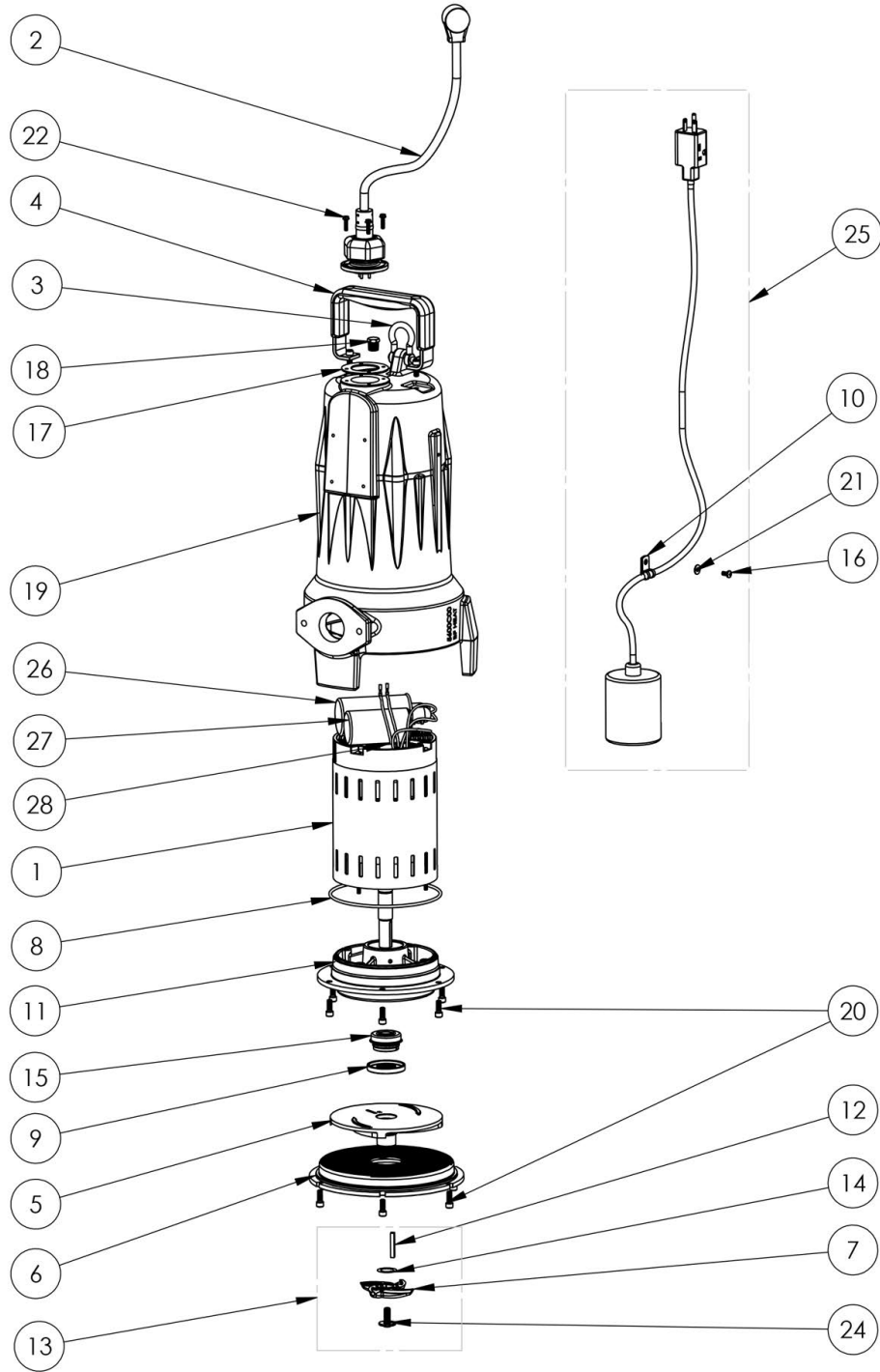
#	PART #	DESCRIPTION	QTY	Note
1	5601000	MOTOR	1	[1]
2	K001140	POWER CORD	1	
3	5611000	SHACKLE	1	
4	5613000	HANDLE	1	
5	K001538	GRINDER IMPELLER KIT	1	
6	5615000	CUTTER PLATE	1	
7	5616900	ROTARY CUTTER	1	
8	5617000	O-RING	1	
9	5618000	DOUBLE LIP SEAL	1	[1]
10	5630000	CABLE CLAMP S.S.	1	
11	5632000	MOTOR PLATE	1	[1]
12	56350A0	KEY	1	
13	K001216	5619000, CORDPLATE	1	
14	K001445	ROTARY CUTTER SHIM KIT	1	
15	5633000	3/4" UNITIZED SHAFT SEAL	1	[1]
16	8082000	#10-24 x 3/8 EPOXY LOCK SCREW	1	
17	5060000	CORD PLATE GASKET	1	
18	5071000	BRASS OIL PLUG	1	
19	560000R	OMNIVORE HOUSING	1	
20	5646000	CAP SCREW, SHCS, 1/4-28 X 9/16" SS	14	
21	8141000	WASHER, #10 X 1/2 SS	1	
22	8064000	#8-32 x 5/8 HEX WASHER HEAD SCREW	4	
24	56360A0	FLANGED IMPELLER BOLT	1	
25	K001136	SWITCH KIT	1	
26	K001139	ROTARY CUTTER KIT	1	[2]
27	K001228	RUN CAPACITOR	1	
28	K001227	START CAPACITOR	1	
29	K001229	START SWITCH	1	

**PART NOTES:**

- [1] - Part requires factory authorized service. Contact Liberty Pumps at 1-800-543-2550
- [2] - ForLSG GrinderCutter Replacment Instructions see LSG Grinder Cutter Replacement



LSG202A (B48)



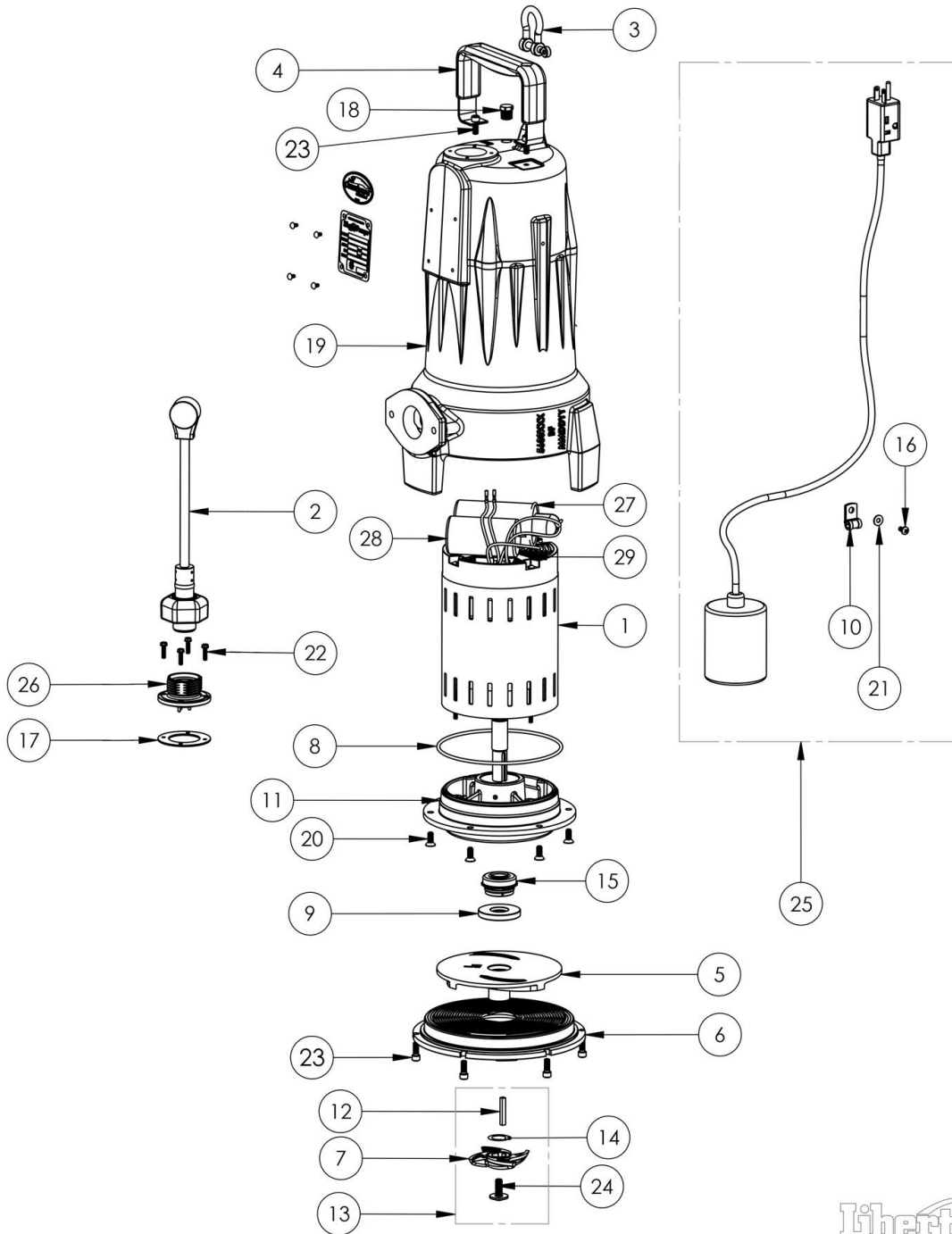
## LSG202A (B48)

#	PART #	DESCRIPTION	QTY	Note
1	5601000	MOTOR	1	[1]
2	K001140	POWER CORD	1	
3	5611000	SHACKLE	1	
4	5613000	HANDLE	1	
5	K001538	GRINDER IMPELLER KIT	1	
6	5615000	CUTTER PLATE	1	
7	5616900	ROTARY CUTTER	1	
8	5617000	O-RING	1	
9	5618000	DOUBLE LIP SEAL	1	[1]
10	5630000	CABLE CLAMP S.S.	1	
11	5632000	MOTOR PLATE	1	[1]
12	56350A0	KEY	1	
13	K001139	ROTARY CUTTER KIT	1	[2]
14	K001445	ROTARY CUTTER SHIM KIT	1	
15	5633000	3/4" UNITIZED SHAFT SEAL	1	[1]
16	8082000	#10-24 x 3/8 EPOXY LOCK SCREW	1	
17	5060000	CORD PLATE GASKET	1	
18	5071000	BRASS OIL PLUG	1	
19	560000R	OMNIVORE HOUSING	1	
20	8103000	SCREW 1/4-20x5/8" HX SKT SS	14	
21	8141000	WASHER, #10 X 1/2 SS	1	
22	8064000	#8-32 x 5/8 HEX WASHER HEAD SCREW	4	
24	56360A0	FLANGED IMPELLER BOLT	1	
25	K001136	SWITCH KIT	1	
26	K001228	RUN CAPACITOR	1	
27	K001227	START CAPACITOR	1	
28	K001229	START SWITCH	1	

**PART NOTES:**

- [1] - Part requires factory authorized service. Contact Liberty Pumps at 1-800-543-2550  
 [2] - For LSG GrinderCutter Replacment Instructions see LSG Grinder Cutter Replacement

LSG202A (B52)



Liberty  
Pumps

**LSG202A**

**LSG202A (B52)**

<b>#</b>	<b>PART #</b>	<b>DESCRIPTION</b>	<b>QTY</b>	<b>Note</b>
1	5601000	MOTOR	1	[1]
2	K001140	POWER CORD	1	
3	5611000	SHACKLE	1	
4	5613000	HANDLE	1	
5	K001538	GRINDER IMPELLER KIT	1	
6	K001395	CUTTER PLATE	1	
7	5616900	ROTARY CUTTER	1	
8	5617000	O-RING	1	
9	5618000	DOUBLE LIP SEAL	1	[1]
10	5630000	CABLE CLAMP S.S.	1	
11	5632000	MOTOR PLATE	1	[1]
12	56350A0	KEY	1	
13	K001139	ROTARY CUTTER KIT	1	[2]
14	K001445	ROTARY CUTTER SHIM KIT	1	
15	5633000	3/4" UNITIZED SHAFT SEAL	1	[1]
16	8082000	#10-24 x 3/8 EPOXY LOCK SCREW	1	
17	5060000	CORD PLATE GASKET	1	
18	5071000	BRASS OIL PLUG	1	
19	560000R	OMNIVORE HOUSING	1	
20	8018000	1/4-20 x 5/8 SLOTTED FLAT HEAD BOLT	6	
21	8141000	WASHER, #10 X 1/2 SS	1	
22	8064000	#8-32 x 5/8 HEX WASHER HEAD SCREW	4	
23	8103000	SCREW 1/4-20x5/8" HX SKT SS	8	
24	56360A0	FLANGED IMPELLER BOLT	1	
25	K001136	SWITCH KIT	1	
26	K001216	5619000, CORDPLATE	1	
27	K001228	RUN CAPACITOR	1	
28	K001227	START CAPACITOR	1	
29	K001229	START SWITCH	1	

**PART NOTES:**

- [1] - Part requires factory authorized service. Contact Liberty Pumps at 1-800-543-2550
- [2] - ForLSG GrinderCutter Replacment Instructions see LSG Grinder Cutter Replacement