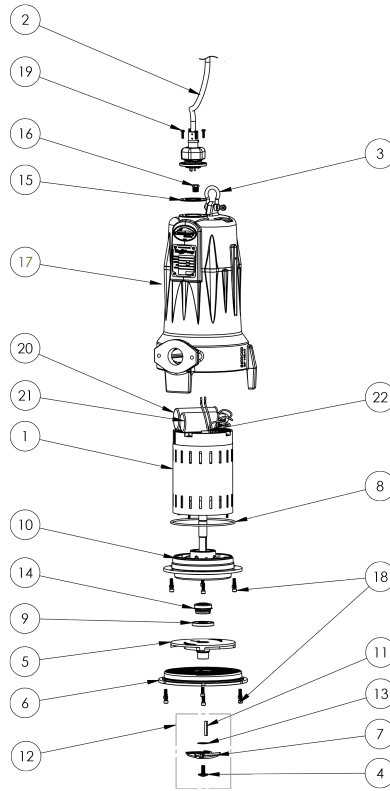


LSG202-REP (B48)



LSG202-REP

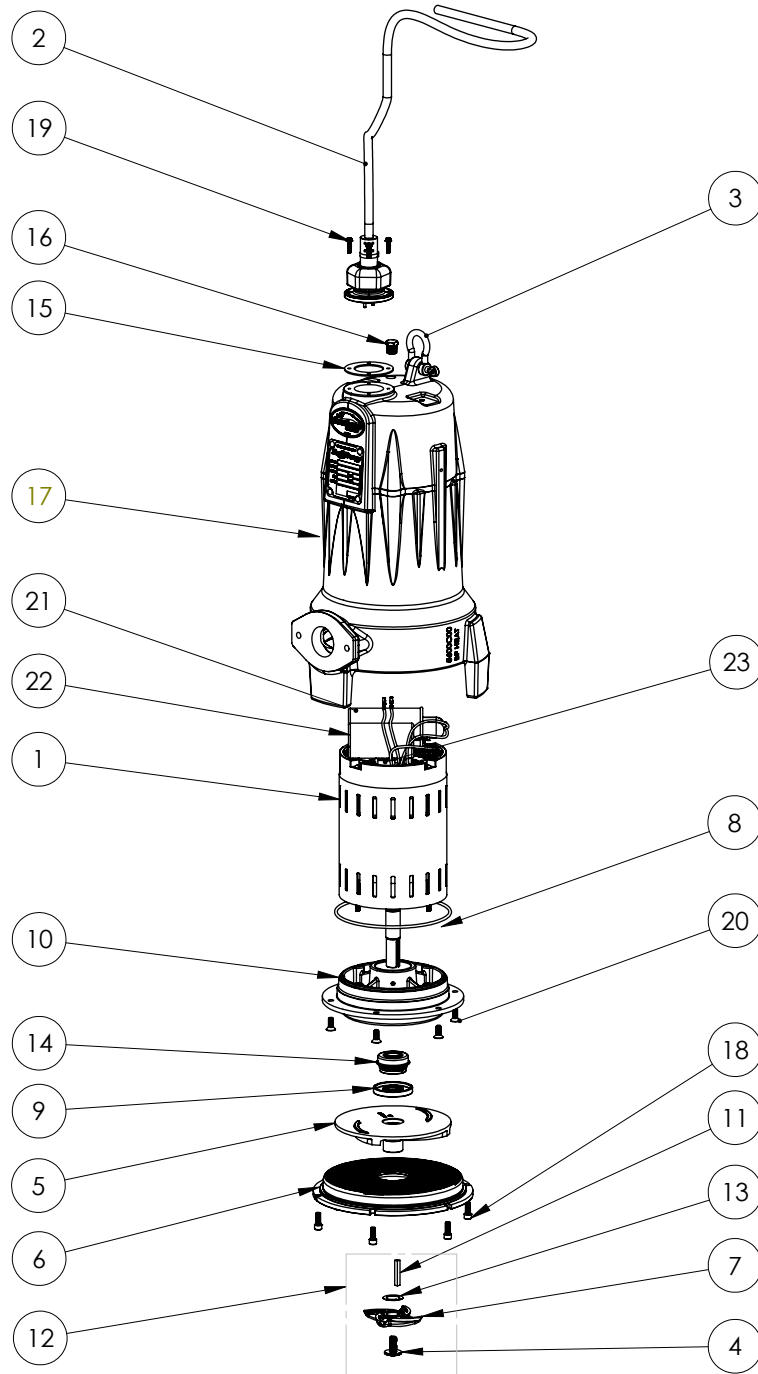
LSG202-REP (B48)

#	PART #	DESCRIPTION	QTY	Note
1	5601000	MOTOR	1	[1]
2	K001303	POWER CORD ASSY	1	
3	5611000	SHACKLE	1	
4	56360A0	FLANGED IMPELLER BOLT	1	
5	K001538	GRINDER IMPELLER KIT	1	
6	5615000	CUTTER PLATE	1	
7	5616900	ROTARY CUTTER	1	
8	5617000	O-RING	1	
9	5618000	DOUBLE LIP SEAL	1	[1]
10	5632000	MOTOR PLATE	1	[1]
11	56350A0	KEY	1	
12	K001139	ROTARY CUTTER KIT	1	[2]
13	K001445	ROTARY CUTTER SHIM KIT	1	
14	5633000	3/4" UNITIZED SHAFT SEAL	1	[1]
15	5060000	CORD PLATE GASKET	1	
16	5071000	BRASS OIL PLUG	1	
17	560000R	OMNIVORE HOUSINGP/N - 5600000 - LSG200 HOUSING	1	
18	8103000	SCREW 1/4-20x5/8" HX SKT SS	12	
19	8064000	#8-32 x 5/8 HEX WASHER HEAD SCREW	4	
20	K001228	RUN CAPACITOR	1	
21	K001227	START CAPACITOR	1	
22	K001229	START SWITCH	1	

PART NOTES:

- [1] - Part requires factory authorized service. Contact Liberty Pumps at 1-800-543-2550
- [2] - ForLSG GrinderCutter Replacment Instructions see LSG Grinder Cutter Replacement

LSG202-REP (B52)



LSG202-REP

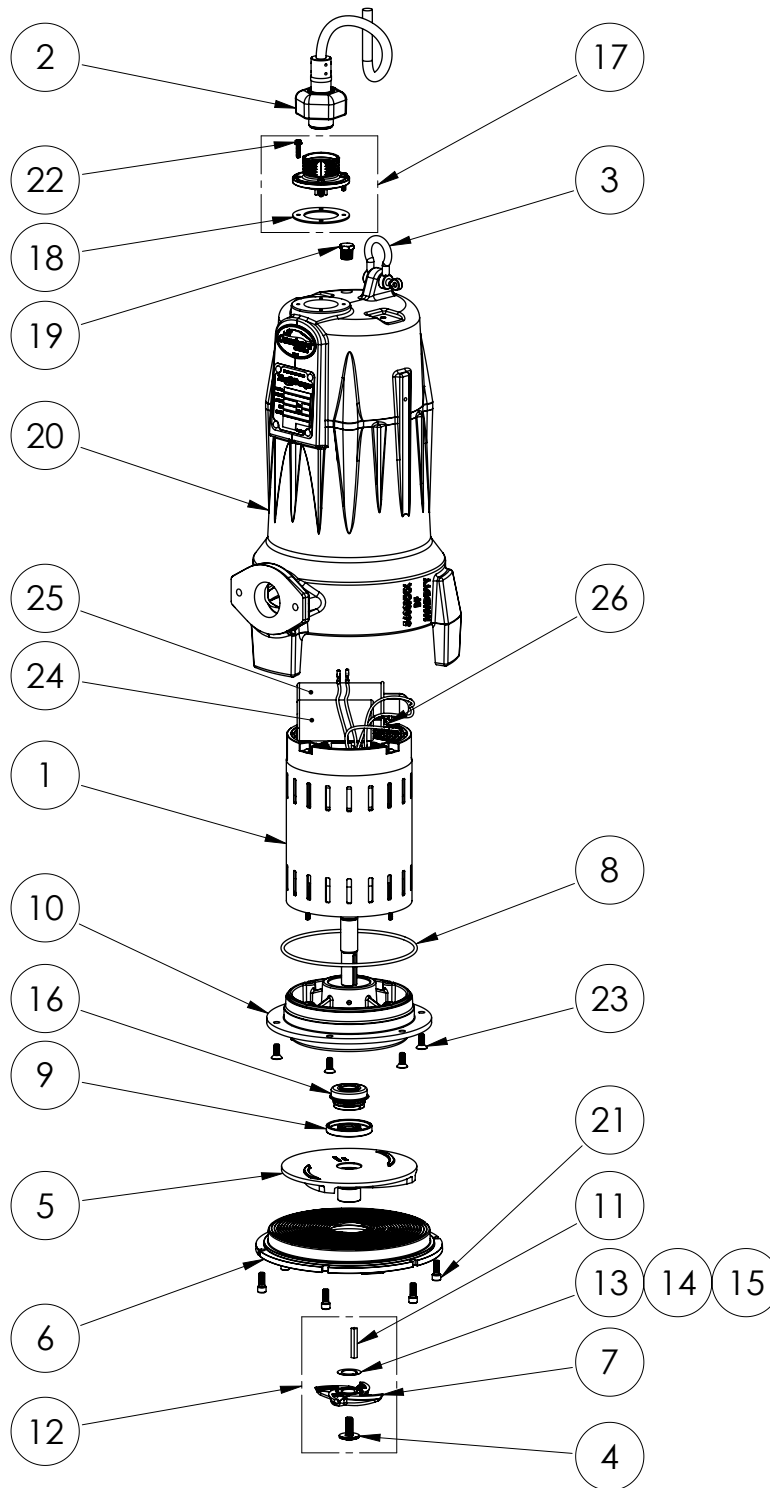
LSG202-REP (B52)

#	PART #	DESCRIPTION	QTY	Note
1	5601000	MOTOR	1	[1]
2	K001303	POWER CORD ASSY	1	
3	5611000	SHACKLE	1	
4	56360A0	FLANGED IMPELLER BOLT	1	
5	K001538	GRINDER IMPELLER KIT	1	
6	5615000	CUTTER PLATE	1	
7	5616900	ROTARY CUTTER	1	
8	5617000	O-RING	1	
9	5618000	DOUBLE LIP SEAL	1	[1]
10	5632000	MOTOR PLATE	1	[1]
11	56350A0	KEY	1	
12	K001139	ROTARY CUTTER KIT	1	[2]
13	K001445	ROTARY CUTTER SHIM KIT	1	
14	5633000	3/4" UNITIZED SHAFT SEAL	1	[1]
15	5060000	CORD PLATE GASKET	1	
16	5071000	BRASS OIL PLUG	1	
17	560000R	OMNIVORE HOUSING	1	
18	8103000	SCREW 1/4-20x5/8" HX SKT SS	6	
19	8064000	#8-32 x 5/8 HEX WASHER HEAD SCREW	4	
20	8018000	1/4-20 x 5/8 SLOTTED FLAT HEAD BOLT	6	
21	K001228	RUN CAPACITOR	1	
22	K001227	START CAPACITOR	1	
23	K001229	START SWITCH	1	

PART NOTES:

- [1] - Part requires factory authorized service. Contact Liberty Pumps at 1-800-543-2550
- [2] - ForLSG GrinderCutter Replacment Instructions see LSG Grinder Cutter Replacement

LSG202-REP (B53)



LSG202-REP853

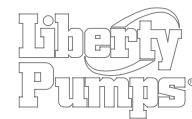
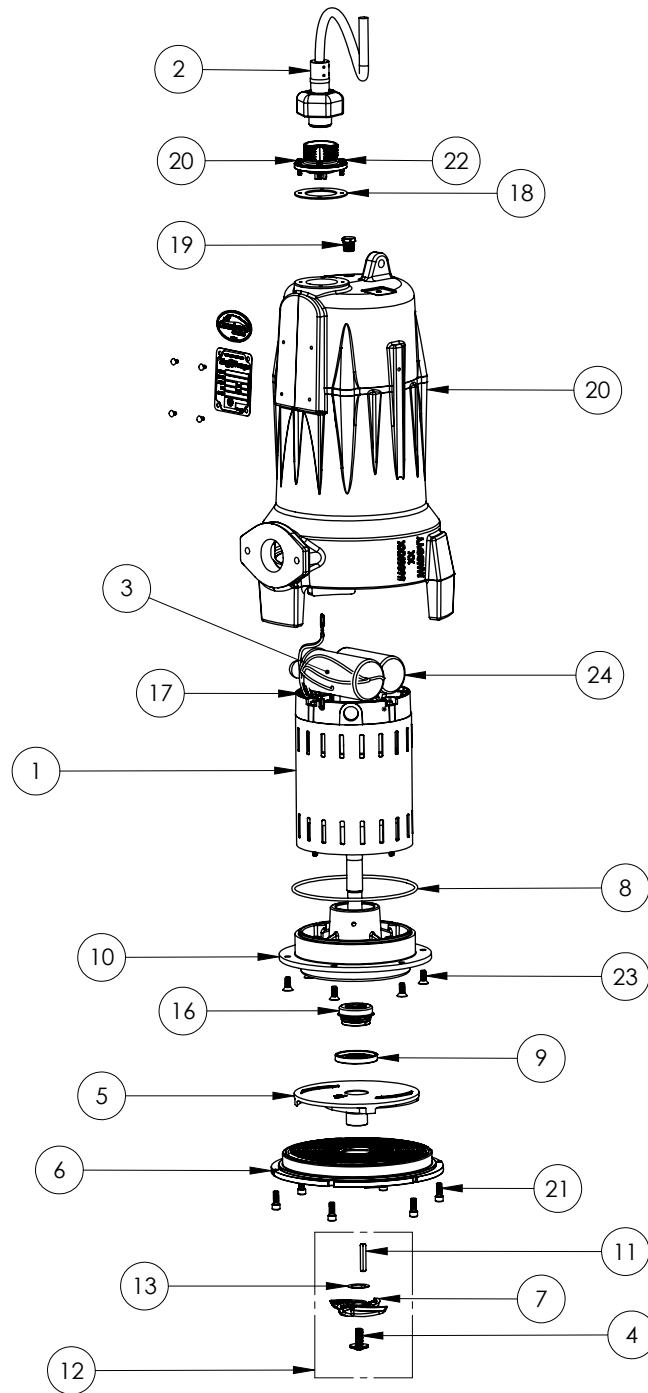
LSG202-REP (B53)

#	PART #	DESCRIPTION	QTY	Note
1	5601000	MOTOR	1	[1]
2	K001303	POWER CORD ASSY	1	
3	5611000	SHACKLE	1	
4	56360A0	FLANGED IMPELLER BOLT	1	
5	K001538	GRINDER IMPELLER KIT	1	
6	K001395	CUTTER PLATE	1	
7	5616900	ROTARY CUTTER	1	
8	5617000	O-RING	1	
9	5618000	DOUBLE LIP SEAL	1	[1]
10	5632000	MOTOR PLATE	1	[1]
11	56350A0	KEY	1	
12	K001139	ROTARY CUTTER KIT	1	[2]
13	K001445	ROTARY CUTTER SHIM KIT	1	
14	K001445	ROTARY CUTTER SHIM KIT	1	
15	K001445	ROTARY CUTTER SHIM KIT	1	
16	5633000	3/4" UNITIZED SHAFT SEAL	1	[1]
17	K001216	5619000, CORDPLATE	1	
18	5060000	CORD PLATE GASKET	1	
19	5071000	BRASS OIL PLUG	1	
20	560000R	OMNIVORE HOUSING	1	
21	8103000	SCREW 1/4-20x5/8" HX SKT SS	6	
22	8064000	#8-32 x 5/8 HEX WASHER HEAD SCREW	4	
23	8018000	1/4-20 x 5/8 SLOTTED FLAT HEAD BOLT	6	
24	K001227	START CAPACITOR	1	
25	K001228	RUN CAPACITOR	1	
26	K001229	START SWITCH	1	

PART NOTES:

- [1] - Part requires factory authorized service. Contact Liberty Pumps at 1-800-543-2550
- [2] - ForLSG GrinderCutter Replacment Instructions see LSG Grinder Cutter Replacement

LSG202-REP (B91)



LSG202-REP

LSG202-REP (B91)

#	PART #	DESCRIPTION	QTY	Note
1	5601000	MOTOR	1	[1]
2	56880B0	POWER CORD ASSEMBLY, 230V 1 PH	1	
3	K001228	RUN CAPACITOR	1	
4	56360B0	FLANGED IMPELLER BOLT, M8 THREAD	1	
5	K001538	GRINDER IMPELLER KIT	1	
6	K001395	CUTTER PLATE	1	
7	5616900	ROTARY CUTTER	1	
8	5617000	O-RING	1	
9	5618000	DOUBLE LIP SEAL	1	[1]
10	5632000	MOTOR PLATE	1	[1]
11	56350A0	KEY	1	
12	K001139	ROTARY CUTTER KIT	1	[2]
13	K001445	ROTARY CUTTER SHIM KIT	1	
16	5633000	3/4" UNITIZED SHAFT SEAL	1	[1]
17	K001229	START SWITCH	1	
18	5060000	CORD PLATE GASKET	1	
19	50710A0	PIPE PLUG, 1/4" HEX HD BRASS NPTF	1	
20	560000R	OMNIVORE HOUSING	1	
21	8103000	SCREW 1/4-20x5/8" HX SKT SS	6	
22	8064000	#8-32 x 5/8 HEX WASHER HEAD SCREW	4	
23	8018000	1/4-20 x 5/8 SLOTTED FLAT HEAD BOLT	6	
24	K001227	START CAPACITOR	1	

PART NOTES:

- [1] - Part requires factory authorized service. Contact Liberty Pumps at 1-800-543-2550
- [2] - ForLSG GrinderCutter Replacment Instructions see LSG Grinder Cutter Replacement