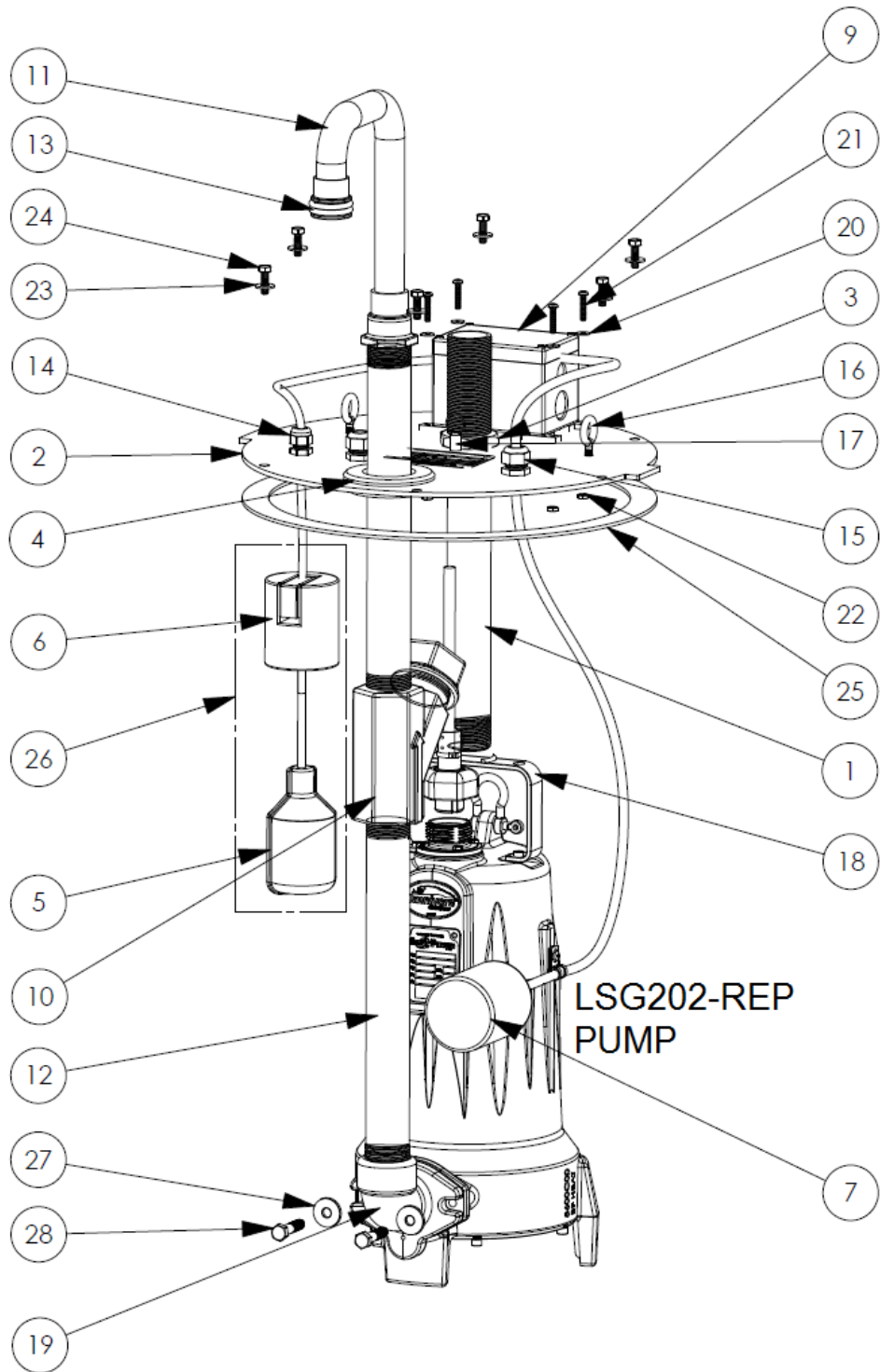


LSG202-RE (B10)



**LSG202-RE**

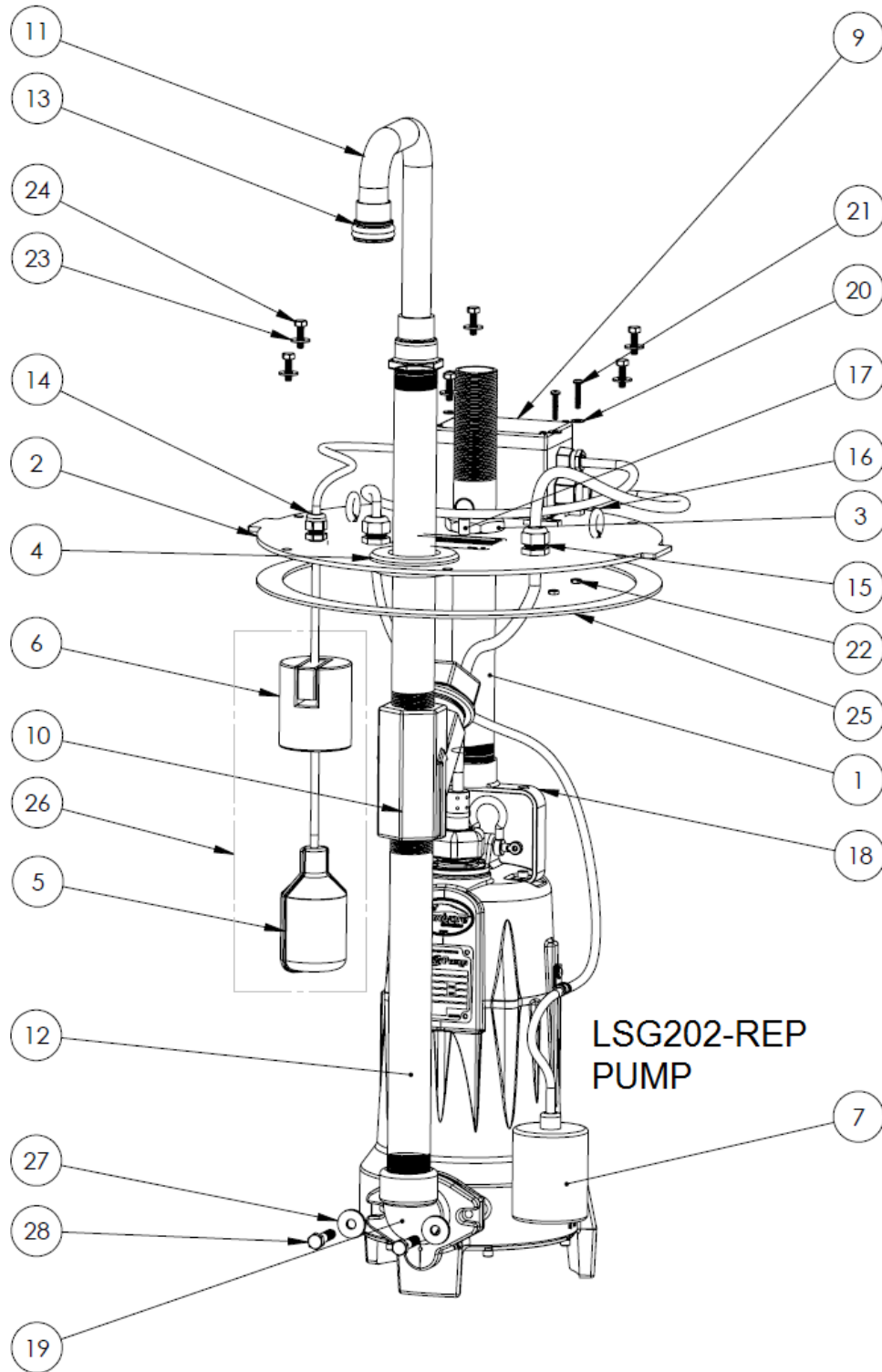
**LSG202-RE (B10)**

<b>#</b>	<b>PART #</b>	<b>DESCRIPTION</b>	<b>QTY</b>	<b>Note</b>
1	5669000	1-1/4" PIPE HANGER, STRAIGHT THREADS	1	
2	5661000	COVER	1	
3	5670000	1-1/4" GALVANIZED PIPE NUT	2	
4	4760000	1-1/4" PIPE SEAL GROMMET	1	[1]
5	K001134	FLOAT SWITCH, 20FT CORD, INCLUDES 1 SWITCH PER KIT	1	
6	K001388	CABLE WEIGHT	1	
7	K001136	SWITCH KIT	1	
9	5663000	JUNCTION BOX	1	
10	5659000	CHECK VALVE, 1-1/4" NPT	1	
11	5656000	CUSTOM COPPER ELBOW	1	
12	5671000	DISCHARGE PIPE, 1-1/4", GALVANIZED	2	
13	5666000	O-RING	2	[1]
14	4785000	CORD GRIP SIZE 09	1	
15	RCC8	SM WATERTIGHT CABLE GRIP	2	
16	5673000	EYEBOLT	2	
17	5662000	QUICK RELEASE PIN	1	
18	56740A0	PUMP HANDLE / HANGER	1	
19	G90	FLANGED ELBOW KIT, INCLUDES GASKET, SCREWS AND WASHER	1	
20	8141000	WASHER, #10 X 1/2 SS	5	
21	8059000	SCREW 10 - 24 x 1 PHILLIPS HEAD	4	
22	8002000	#10-24 STAINLESS STEEL HEX	4	
23	8131000	1/4x3/4" STAINLESS STEEL FLAT WASHER	6	
24	8024000	1/4-20x7/8" HEX HEAD SS BOLT	6	
25	4039RB0	GASKET TAPE 1/4" THICK, 56"	1	
26	K001135	ALARM SWITCH WITH CABLE WEIGHT	1	
27	8158000	WASHER, 3/8 x 1-1/8, SS	1	
28	8143000	SCREW, 3/8-16 x 1-3/4 LG, SS	1	

**PART NOTES:**

[1] - Part requires factory authorized service. Contact Liberty Pumps at 1-800-543-2550

LSG202-RE (B48)



**LSG202-RE**

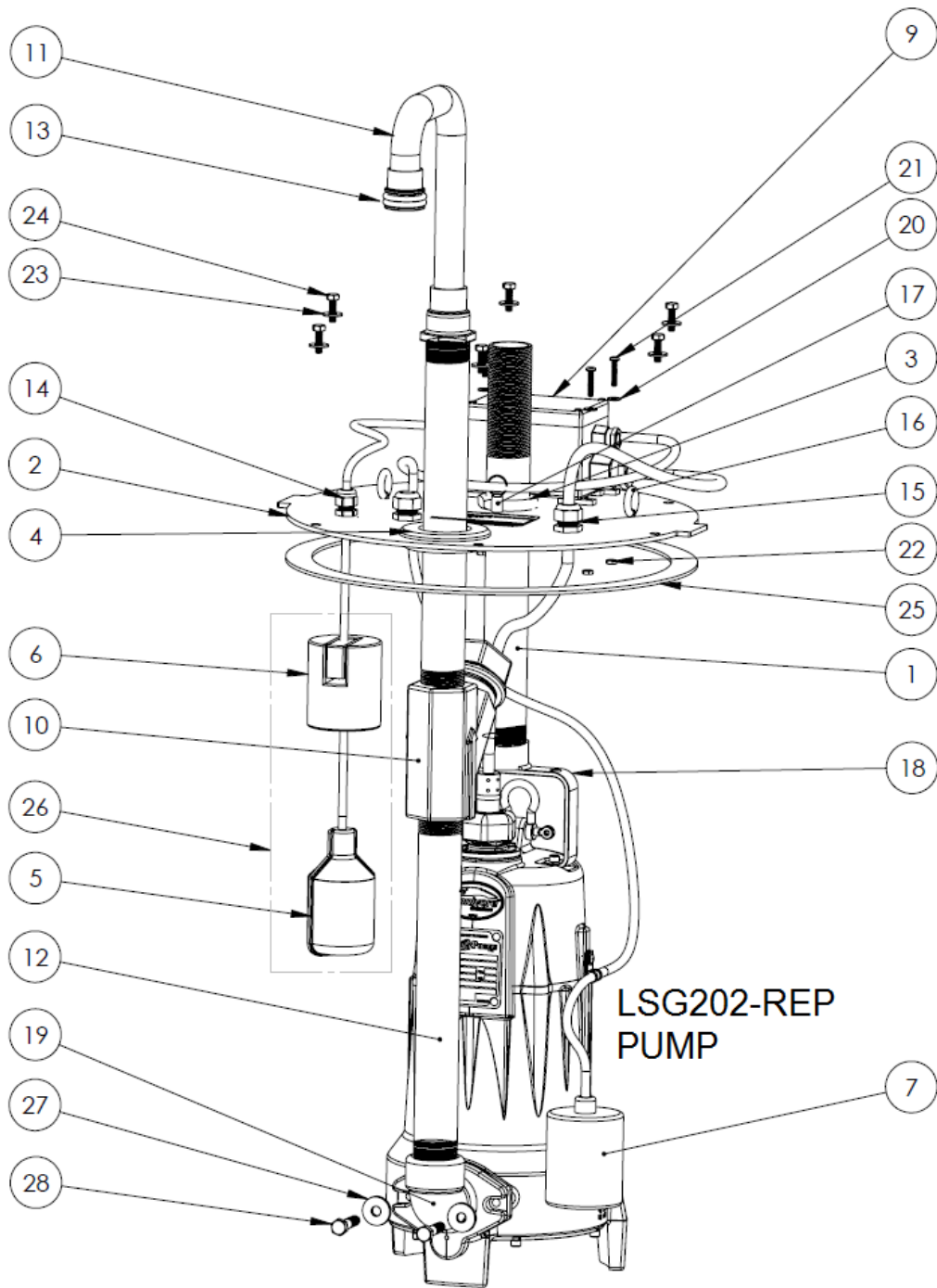
**LSG202-RE (B48)**

<b>#</b>	<b>PART #</b>	<b>DESCRIPTION</b>	<b>QTY</b>	<b>Note</b>
1	5669000	1-1/4" PIPE HANGER, STRAIGHT THREADS	1	
2	5661000	COVER	1	
3	5670000	1-1/4" GALVANIZED PIPE NUT	2	
4	4760000	1-1/4" PIPE SEAL GROMMET	1	[1]
5	K001134	FLOAT SWITCH, 20FT CORD, INCLUDES 1 SWITCH PER KIT	1	
6	K001388	CABLE WEIGHT	1	
7	K001136	SWITCH KIT	1	
9	5663000	JUNCTION BOX	1	
10	ACV125	1.25" ANTI-SIPHON VALVE	1	
11	5656000	CUSTOM COPPER ELBOW	1	
12	5671000	DISCHARGE PIPE, 1-1/4", GALVANIZED	2	
13	5666000	O-RING	2	[1]
14	4785000	CORD GRIP SIZE 09	1	
15	RCC8	SM WATERTIGHT CABLE GRIP	2	
16	5673000	EYEBOLT	2	
17	5662000	QUICK RELEASE PIN	1	
18	56740A0	PUMP HANDLE / HANGER	1	
19	G90	FLANGED ELBOW KIT, INCLUDES GASKET, SCREWS AND WASHER	1	
20	8141000	WASHER, #10 X 1/2 SS	5	
21	8059000	SCREW 10 - 24 x 1 PHILLIPS HEAD	4	
22	8002000	#10-24 STAINLESS STEEL HEX	4	
23	8131000	1/4x3/4" STAINLESS STEEL FLAT WASHER	6	
24	8024000	1/4-20x7/8" HEX HEAD SS BOLT	6	
25	4039RB0	GASKET TAPE 1/4" THICK, 56"	1	
26	K001135	ALARM SWITCH WITH CABLE WEIGHT	1	
27	8158000	WASHER, 3/8 x 1-1/8, SS	1	
28	8143000	SCREW, 3/8-16 x 1-3/4 LG, SS	1	

**PART NOTES:**

[1] - Part requires factory authorized service. Contact Liberty Pumps at 1-800-543-2550

LSG202-RE (B52)



**LSG202-RE**

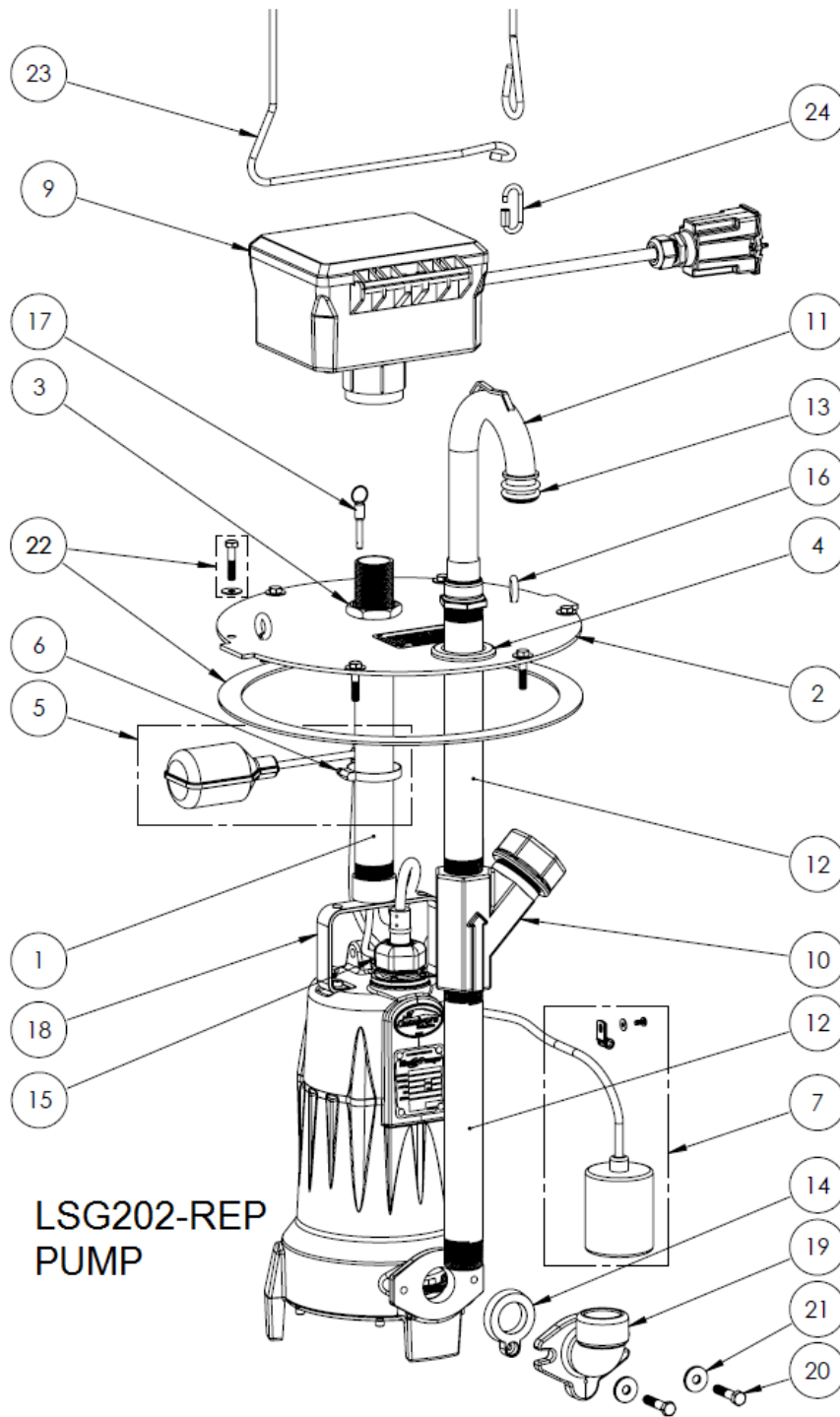
**LSG202-RE (B52)**

<b>#</b>	<b>PART #</b>	<b>DESCRIPTION</b>	<b>QTY</b>	<b>Note</b>
1	5669000	1-1/4" PIPE HANGER, STRAIGHT THREADS	1	
2	5661000	COVER	1	
3	5670000	1-1/4" GALVANIZED PIPE NUT	2	
4	4760000	1-1/4" PIPE SEAL GROMMET	1	[1]
5	K001134	FLOAT SWITCH, 20FT CORD, INCLUDES 1 SWITCH PER KIT	1	
6	K001388	CABLE WEIGHT	1	
7	K001136	SWITCH KIT	1	
9	5663000	JUNCTION BOX	1	
10	ACV125	1.25" ANTI-SIPHON VALVE	1	
11	5656000	CUSTOM COPPER ELBOW	1	
12	5671000	DISCHARGE PIPE, 1-1/4", GALVANIZED	2	
13	5666000	O-RING	2	[1]
14	4785000	CORD GRIP SIZE 09	1	
15	RCC8	SM WATERTIGHT CABLE GRIP	2	
16	5673000	EYEBOLT	2	
17	5662000	QUICK RELEASE PIN	1	
18	56740A0	PUMP HANDLE / HANGER	1	
19	G90	FLANGED ELBOW KIT, INCLUDES GASKET, SCREWS AND WASHER	1	
20	8141000	WASHER, #10 X 1/2 SS	5	
21	8059000	SCREW 10 - 24 x 1 PHILLIPS HEAD	4	
22	8002000	#10-24 STAINLESS STEEL HEX	4	
23	8131000	1/4x3/4" STAINLESS STEEL FLAT WASHER	6	
24	8024000	1/4-20x7/8" HEX HEAD SS BOLT	6	
25	4039RB0	GASKET TAPE 1/4" THICK, 56"	1	
26	K001135	ALARM SWITCH WITH CABLE WEIGHT	1	
27	8158000	WASHER, 3/8 x 1-1/8, SS	2	
28	8143000	SCREW, 3/8-16 x 1-3/4 LG, SS	2	

**PART NOTES:**

[1] - Part requires factory authorized service. Contact Liberty Pumps at 1-800-543-2550

LSG202-RE (B53)



**LSG202-RE**

**LSG202-RE (B53)**

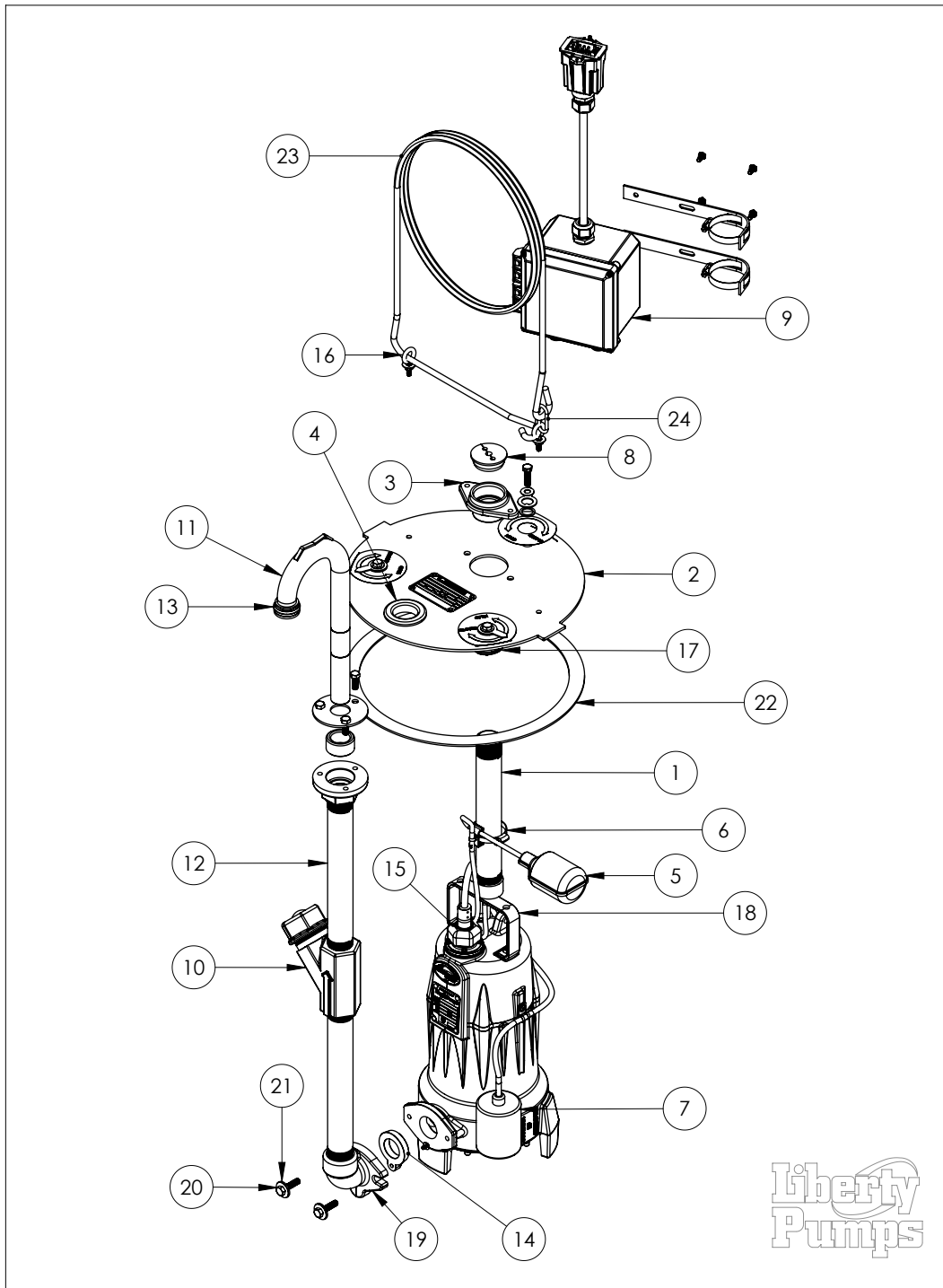
<b>#</b>	<b>PART #</b>	<b>DESCRIPTION</b>	<b>QTY</b>	<b>Note</b>
1	5669000	1-1/4" PIPE HANGER, STRAIGHT THREADS	1	
2	5661000	COVER	1	
3	5670000	1-1/4" GALVANIZED PIPE NUT	2	
4	K001353	4766000 PIPE SEAL GROMMET, 1-1/4" PIPE	1	
5	K001301	ALARM SWITCH WITH CLAMP	1	
6	5870000	SWITCH CLAMP	1	
7	K001302	PUMP SWITCH INCLUDING HARDWARE	1	
9	K001244	ELECTRICAL ENCLOSURE	1	
10	ACV125	1.25" ANTI-SIPHON VALVE	1	
11	5738000	DISCHARGE ELBOW, STAINLESS STEEL	1	
12	56710A0	DISCHARGE PIPE, 1-1/4", STAINLESS STEEL	2	
13	5666000	O-RING	2	[1]
14	5644000	1-1/4" FLANGE SEAL GROMMET	1	
15	K001303	POWER CORD ASSY	1	
16	5673000	EYEBOLT	2	
17	5662000	QUICK RELEASE PIN	1	
18	56740A0	PUMP HANDLE / HANGER	1	
19	G90	FLANGED ELBOW KIT, INCLUDES GASKET, SCREWS AND WASHER	1	
20	8143000	SCREW, 3/8-16 x 1-3/4 LG, SS	2	
21	8158000	WASHER, 3/8 x 1-1/8, SS	2	
22	K001304	COVER GASKET INCLUDING HARDWARE	1	
23	5667000	14 FT BLACK ROPE, SPECIAL ENDS	1	
24	4755000	3/16" QUICK LINK, STAINLESS STEEL	1	

**PART NOTES:**

[1] - Part requires factory authorized service. Contact Liberty Pumps at 1-800-543-2550



LSG202-RE (B73)



**LSG202-RE**

**LSG202-RE (B73)**

<b>#</b>	<b>PART #</b>	<b>DESCRIPTION</b>	<b>QTY</b>	<b>Note</b>
1	8552000	1-1/4" PIPE HANGER	1	
2	8549000	COVER	1	
3	855100B	PIPE SUPPORT FLANGE	2	
4	K001353	4766000 PIPE SEAL GROMMET, 1-1/4" PIPE	1	
5	K001428	SWITCH KIT, 60050C0 12' RE CORD	1	
6	5870000	SWITCH CLAMP	1	
7	K001417	57370A0 SWITCH, 12' PIGTAIL	1	
8	45480C0	3 HOLE STOPPER	1	
9	85480A0	CONTROL BOX	1	
10	ACV125	1.25" ANTI-SIPHON VALVE	1	
11	8570000	DISCHARGE ELBOW, STAINLESS STEEL	1	[1]
12	K001500	DISCHARGE PIPE, 1-1/4", SS 13" LONG	2	
13	8571000	DISCHARGE SEAL	2	
14	5644000	1-1/4" FLANGE SEAL GROMMET	1	
15	56880B0	POWER CORD ASSEMBLY, 230V 1 PH	1	
16	5673000	EYEBOLT	2	
17	8560E00	CAM LOCK ASSEMBLY	1	
18	56740A0	PUMP HANDLE / HANGER	1	
19	565400R	FLANGED ELBOW	1	
20	8110000	3/8-16 x 1-1/2" STAINLESS STEEL HEXBOLT 3/8-16X1-1/2 316SS	2	
21	8158000	WASHER, 3/8 x 1-1/8, SS	2	
22	K001438	COVER GASKET KIT, 4071RB0	1	
23	5667000	14 FT BLACK ROPE, SPECIAL ENDS	1	
24	4755000	3/16" QUICK LINK, STAINLESS STEEL	1	

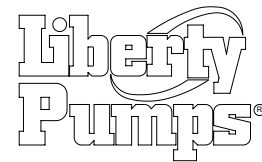
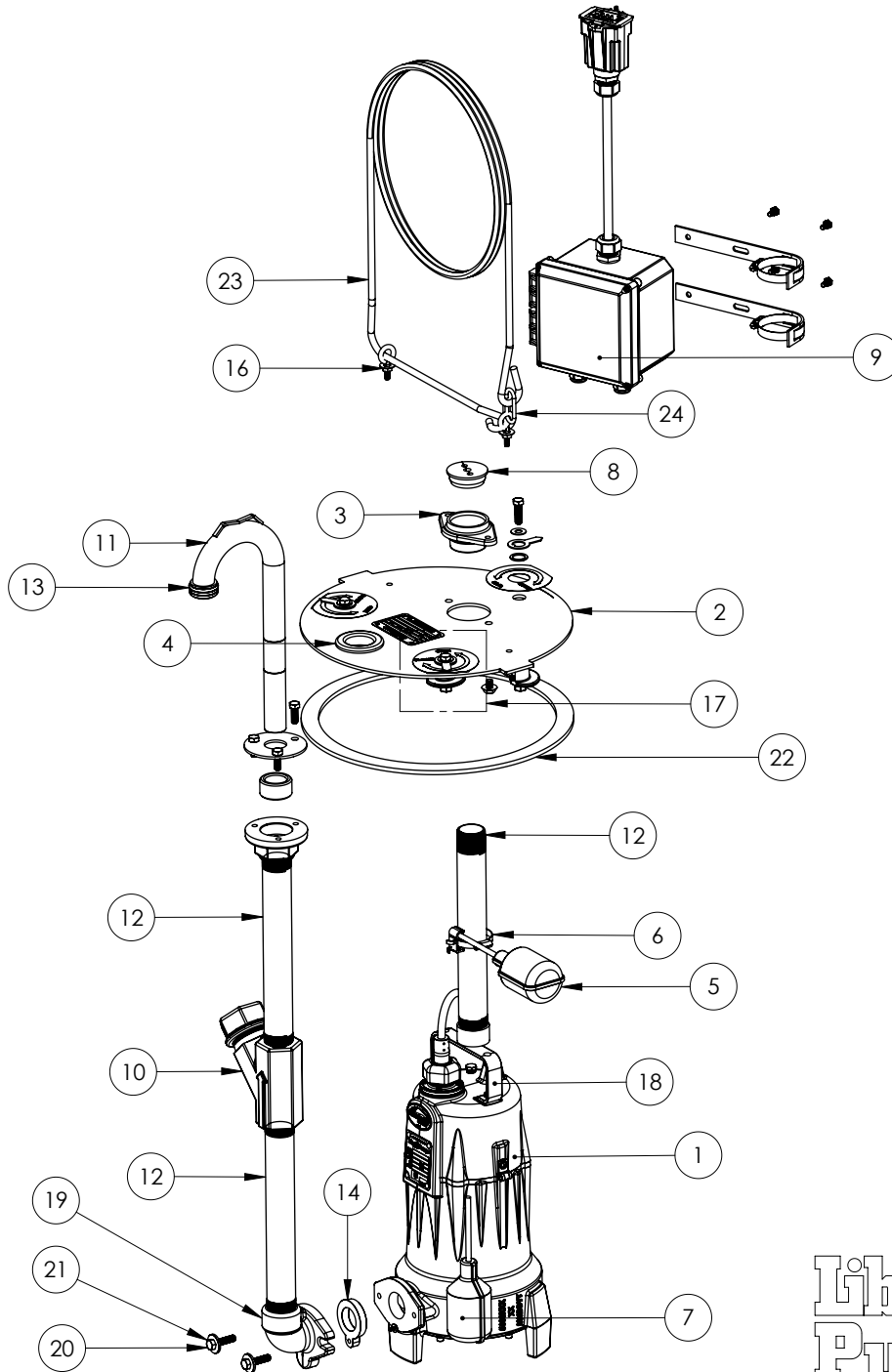
**PART NOTES:**

[1] - K001498: RE-DISCHARGE KIT

Includes:

\\k001498.jpg" align=left>

LSG202-RE (B91)



**LSG202-RE**

**LSG202-RE (B91)**

#	PART #	DESCRIPTION	QTY	Note
1	LSG202-REP	PUMP FOR LSG202-RE	1	
2	8549000	COVER	1	
3	855100B	PIPE SUPPORT FLANGE	2	
4	K001353	4766000 PIPE SEAL GROMMET, 1-1/4" PIPE	1	
5	K001428	SWITCH KIT, 60050C0 12' RE CORD	1	
6	5870000	SWITCH CLAMP	1	
7	K001532	KIT, WIDE ANGLE PILOT DUTY NO 12'	1	
8	45480C0	3 HOLE STOPPER	1	
9	K001550	KIT, RE ENCLOSURE (SQUARE) AND BRACKETS	1	
10	ACV125	1.25" ANTI-SIPHON VALVE	1	
11	8570000	DISCHARGE ELBOW, STAINLESS STEEL	1	[1]
12	K001500	DISCHARGE PIPE, 1-1/4", SS 13" LONG	2	
13	8571000	DISCHARGE SEAL	2	
14	5644000	1-1/4" FLANGE SEAL GROMMET	1	
15	56880B0	POWER CORD ASSEMBLY, 230V 1 PH	1	
16	5673000	EYEBOLT	2	
17	8560E00	CAM LOCK ASSEMBLY	1	
18	56740A0	PUMP HANDLE / HANGER	1	
19	565400R	FLANGED ELBOW	1	
20	8110000	3/8-16 x 1-1/2" STAINLESS STEEL HEXBOLT 3/8-16X1-1/2 316SS	2	
21	8158000	WASHER, 3/8 x 1-1/8, SS	2	
22	K001438	COVER GASKET KIT, 4071RB0	1	
23	56670A0	ROPE 5/8 HOLLOW BRADE	1	
24	4755000	3/16" QUICK LINK, STAINLESS STEEL	1	

**PART NOTES:**

[1] - K001498: RE-DISCHARGE KIT

Includes:

\\k001498.jpg" align=left>